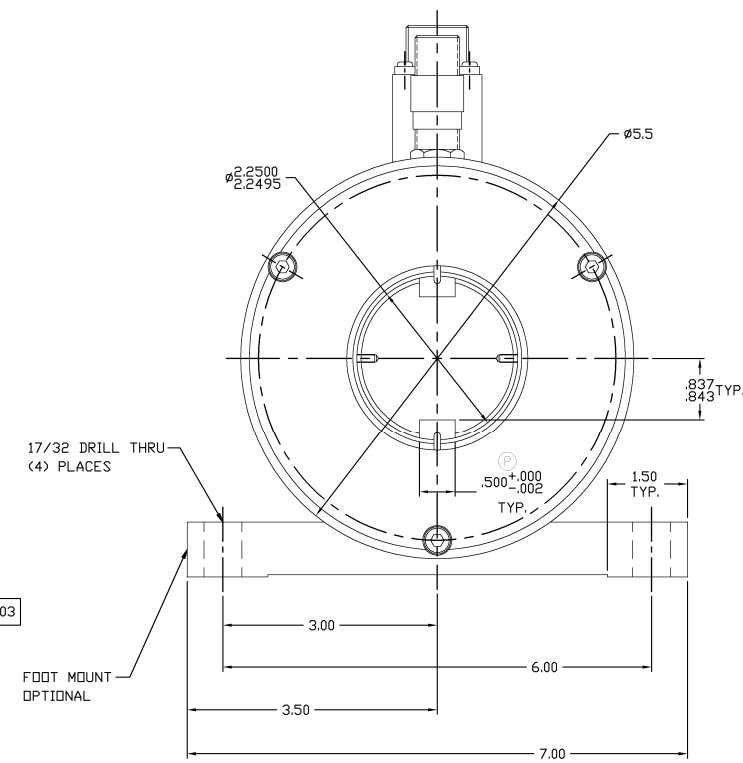
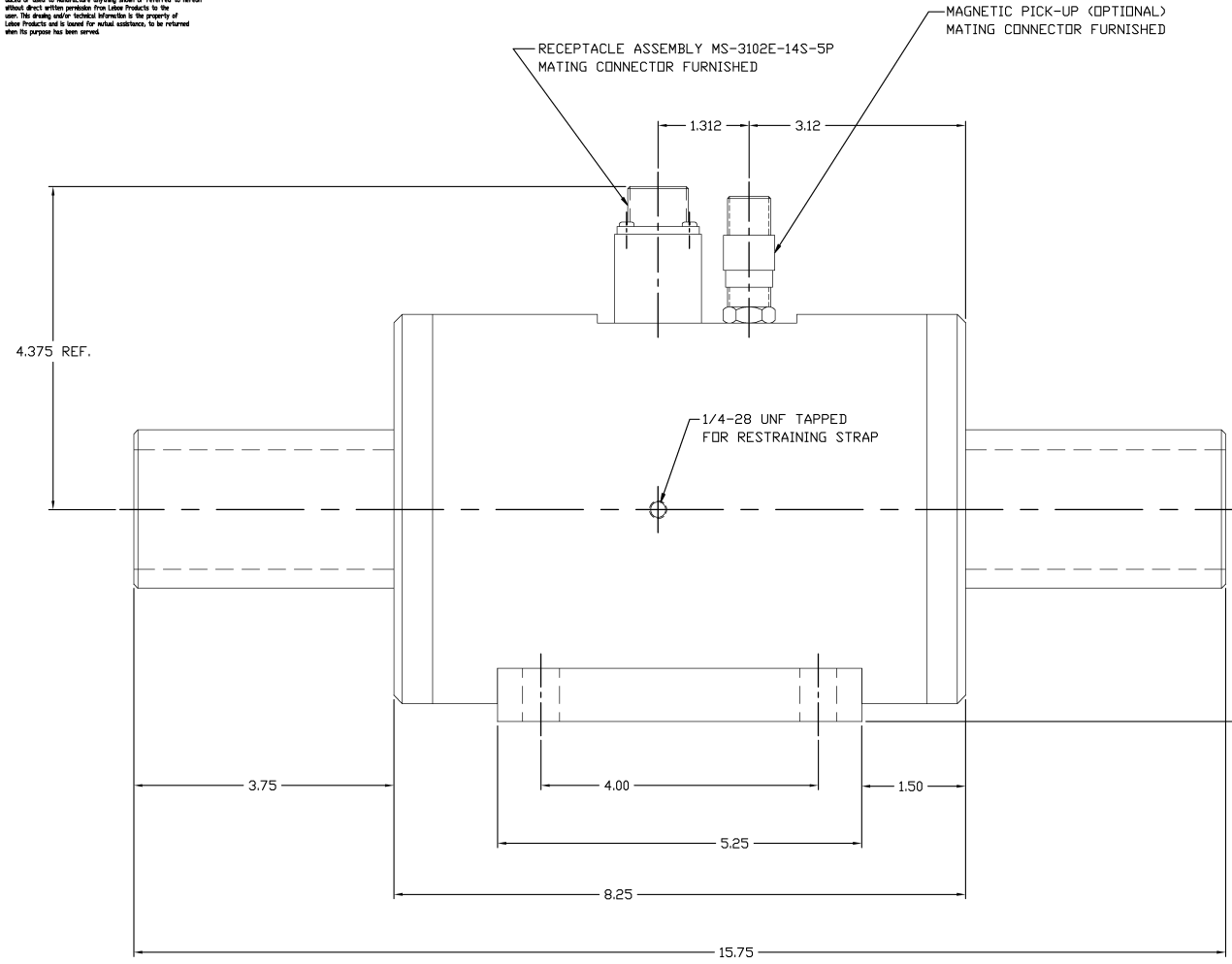


NOTICE TO PERSONS RECEIVING THIS DRAWING AND/OR TECHNICAL INFORMATION
 Lebow Products takes proprietary rights in the artwork disclosed herein. This drawing and/or technical information is issued in confidence for engineering information only and may not be reproduced or used to manufacture anything shown or referred to herein without direct written permission from Lebow Products to the user. This drawing and/or technical information is the property of Lebow Products and is loaned for mutual assistance, to be returned when its purpose has been served.

DO NOT SCALE DRAWING	D-1606-D	REV.
ALL CHANGES TO DRAWING MUST BE DONE ON CAD	 THIRD ANGLE PROJECTION	



1606-20K	20,000 LB. IN.	300%
1606-10K	10,000 LB. IN.	300%
1606-5K	5,000 LB. IN.	300%
MODEL	CAPACITY	OVERLOAD CAP.

REV. NO.	PART NO.	DESCRIPTION	REV.																					
		Lebow Products Troy, Michigan																						
UNLESS OTHERWISE SPECIFIED																								
LINEAR DIMENSIONS ARE IN INCHES		REMOVE ALL BURRS & SHARP EDGES																						
ANGULAR DIMENSIONS ARE IN DEGREES		SURFACE FINISH 125 ✓																						
DIMENSION LIMITS HELD AFTER PLATING																								
<table border="1"> <tr> <th colspan="4">TOLERANCES</th> <th>DR BY</th> <th>CHK BY</th> <th>ENGR.</th> </tr> <tr> <td>DRILLED HOLES</td> <td>TWO PLACE DECIMALS</td> <td>THREE PLACE DECIMALS</td> <td>ANGLES</td> <td>SM</td> <td>TA</td> <td>-</td> </tr> <tr> <td>+0.00 -0.07</td> <td>+0.02</td> <td>+0.01</td> <td>± 1 30'</td> <td></td> <td></td> <td></td> </tr> </table>				TOLERANCES				DR BY	CHK BY	ENGR.	DRILLED HOLES	TWO PLACE DECIMALS	THREE PLACE DECIMALS	ANGLES	SM	TA	-	+0.00 -0.07	+0.02	+0.01	± 1 30'			
TOLERANCES				DR BY	CHK BY	ENGR.																		
DRILLED HOLES	TWO PLACE DECIMALS	THREE PLACE DECIMALS	ANGLES	SM	TA	-																		
+0.00 -0.07	+0.02	+0.01	± 1 30'																					
DATE	APPV'D	DATE	DATE	DATE	DATE	DATE																		
		4/20/79																						
SCALE	REF. DIM.	FRACTIONAL DIMENSIONS	MATL.	REV.																				
NONE	D-27623			1606																				
TITLE	DRAWING NO.	REV.																						
D.D. DRAWING	D-1606-D																							