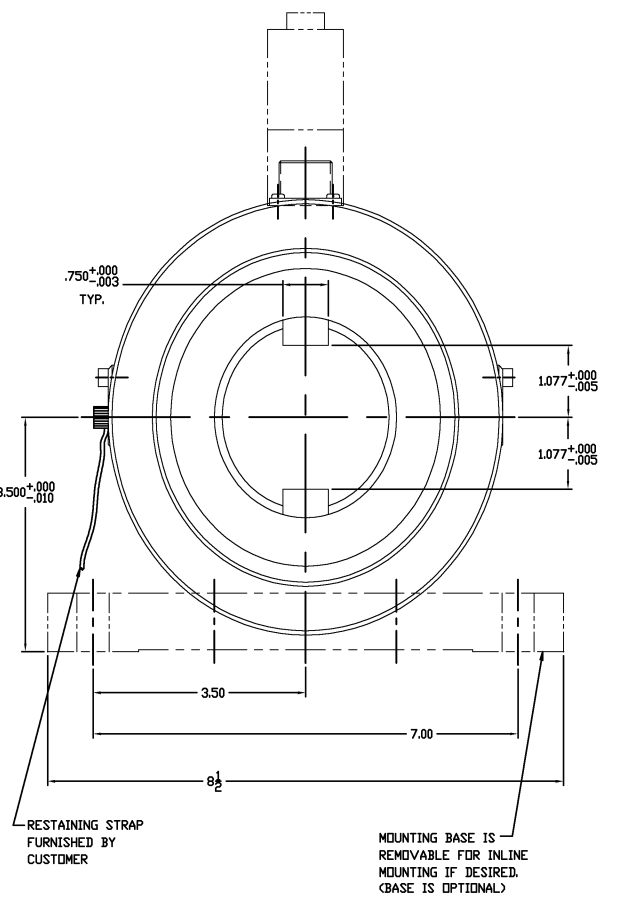
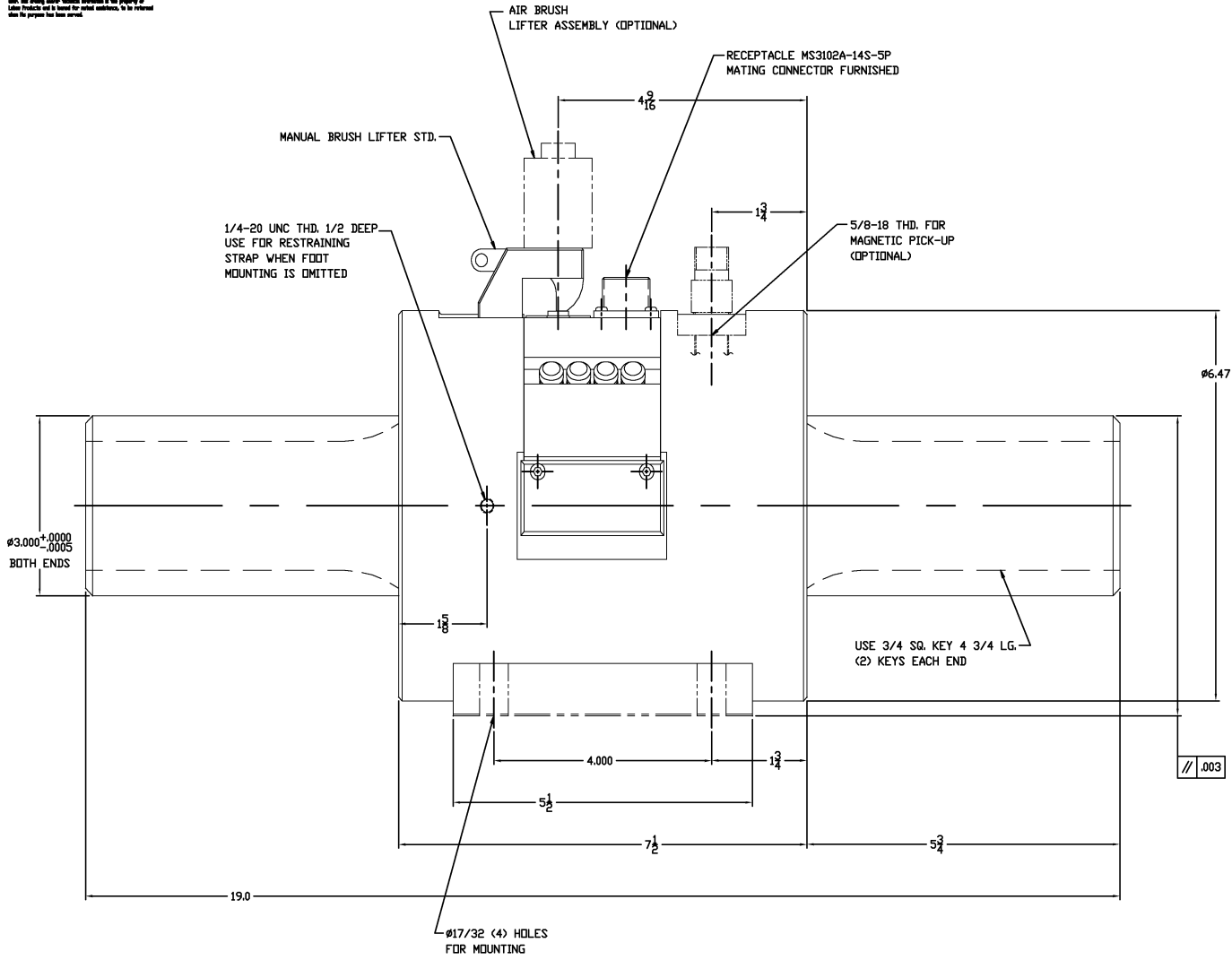


NOTICE TO PERSONS RECEIVING THIS DRAWING AND/OR TECHNICAL INFORMATION  
Lebow Products retains proprietary rights in the related technical drawings. The drawing and/or technical information is loaned to customer for engineering information only and may not be reproduced or used in manufacture without express or implied consent of Lebow Products. All rights reserved. Lebow Products is the owner. The drawing and/or technical information is the property of Lebow Products and is loaned for your information. To be returned when the project has been served.



PERFORMANCE SPEC. S-1107  
SPEED ~ 4,000 R.P.M. MAX  
CAPACITIES LISTED IN CHART

100,000	1107-100K
50,000	1107-50K
CAP. IN. LBS	MODEL NO.

REV.	DATE	PART NO.	DESCRIPTION	REV.														
1																		
<p><b>Lebow Products</b> Lebow Products Troy, Michigan</p> <p>UNLESS OTHERWISE SPECIFIED LINEAR DIMENSIONS ARE IN INCHES REMOVE ALL BURRS &amp; ANGULAR DIMENSIONS ARE IN DEGREES SHARP EDGES DIMENSION LIMITS HELD AFTER PLATING SURFACE FINISH 125 ✓</p> <p><b>TOLERANCES</b></p> <table border="1"> <tr> <td>DRILLED HOLES</td> <td>TWO PLACE DECIMALS</td> <td>THREE PLACE DECIMALS</td> <td>ANGLES</td> <td>T.A.</td> <td>DWG. 2D</td> <td>ENG.</td> </tr> <tr> <td>SCALE</td> <td>REF. DIMS</td> <td>FRACTIONAL DIMENSIONS</td> <td>PLUG</td> <td>1107</td> <td></td> <td></td> </tr> </table>					DRILLED HOLES	TWO PLACE DECIMALS	THREE PLACE DECIMALS	ANGLES	T.A.	DWG. 2D	ENG.	SCALE	REF. DIMS	FRACTIONAL DIMENSIONS	PLUG	1107		
DRILLED HOLES	TWO PLACE DECIMALS	THREE PLACE DECIMALS	ANGLES	T.A.	DWG. 2D	ENG.												
SCALE	REF. DIMS	FRACTIONAL DIMENSIONS	PLUG	1107														
DATE	10/8/65																	
APP'D																		
CHK'D																		
ENGR. NO.																		
SYM.																		
TITLE:			DRAWING NO.		REV.													
TORQUEMETER OUTSIDE DIMENSIONS			C-1107-D															