

INSTALLATION INSTRUCTIONS FOR THE SNDH-H SERIES SPEED SENSORS

50071164

Issue D

GENERAL INFORMATION

The SNDH-H Series Hall-Effect Speed Sensors use a magnetically biased, Hall-effect integrated circuit to accurately sense movement of ferrous metal targets. The specially designed IC (integrated circuit) and a permanent magnet are sealed in rugged, probe-type packages. The flux density of the permanent magnet alters when approached by ferrous metal.

This is detected by the Hall ICs. If the sensor is positioned at the circumference of a revolving gear wheel, for example, it detects the teeth and tooth spaces, supplying a digital pulse output with frequency proportional to gear wheel speed. Optimum performance is dependent upon variables which must be considered in combination: target material, geometry and speed, sensor/target gap, and environmental temperature.

TABLE 1. SPECIFICATIONS

| Characteristic | SNDH-H3L-G01 | SNDH-H3C-G04 |
|------------------------------|--|---|
| Supply voltage range | 4 Vdc to 24 Vdc | 6.5 Vdc to 24 Vdc |
| Output | digital current sinking (open collector) | |
| Supply current | 6 mA max. | 14 mA max. |
| Output current | 30 mA ¹ | 20 mA sinking |
| Output leakage current | 10 µA | |
| Reverse output voltage | — | -0.5 V |
| Rise time (10% to 90%) | 400 ns | 1 µs |
| Fall time (90% to 10%) | 400 ns | 0.6 µs |
| Target orientation | omnidirectional | alignment required |
| Zero speed | yes | |
| Operating frequency range | 0 kHz to 15 kHz | 0 kHz to 12 kHz |
| Operating temp. range | -40°C to 100°C | -40°C to 125°C |
| Dielectric | 200 Vdc | — |
| Housing material | stainless steel | plastic |
| Sensing air gap | up to 2,5 mm [0.098 in] | |
| Target tooth width | 2 mm | 3 mm |
| Target slot width | 2 mm | >2 mm |
| Tooth height | 5 mm | >2 mm |
| Target width | ≥3 mm | >2 mm |
| Sensor misposition to target | dependent on target geometry | |
| Probe length | 40 mm | 27,5 mm |
| Probe diameter | 9,53 mm | 18,6 mm |
| Connector | leaded ³ | Delphi-Packard Metripak 150.2 Type 101 |

¹ Short circuit protected.

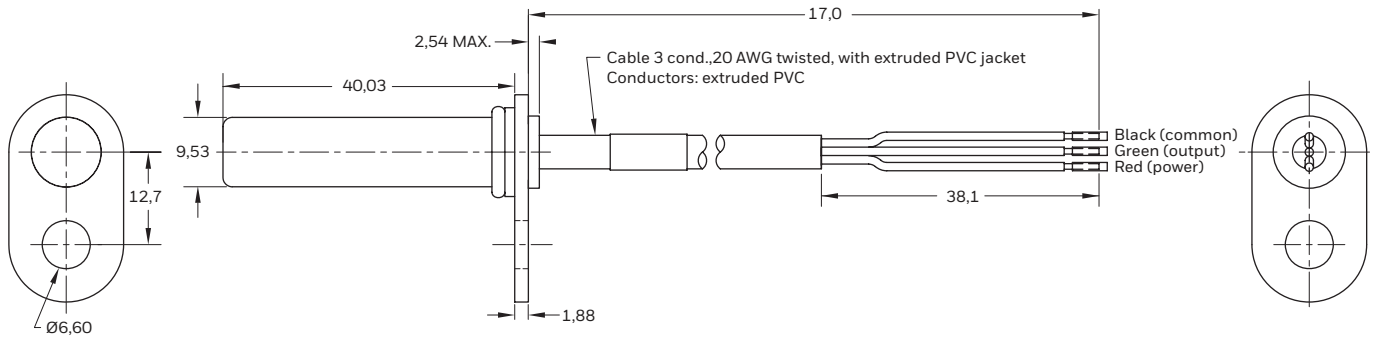
SNDH-H SERIES SPEED SENSORS

Issue D

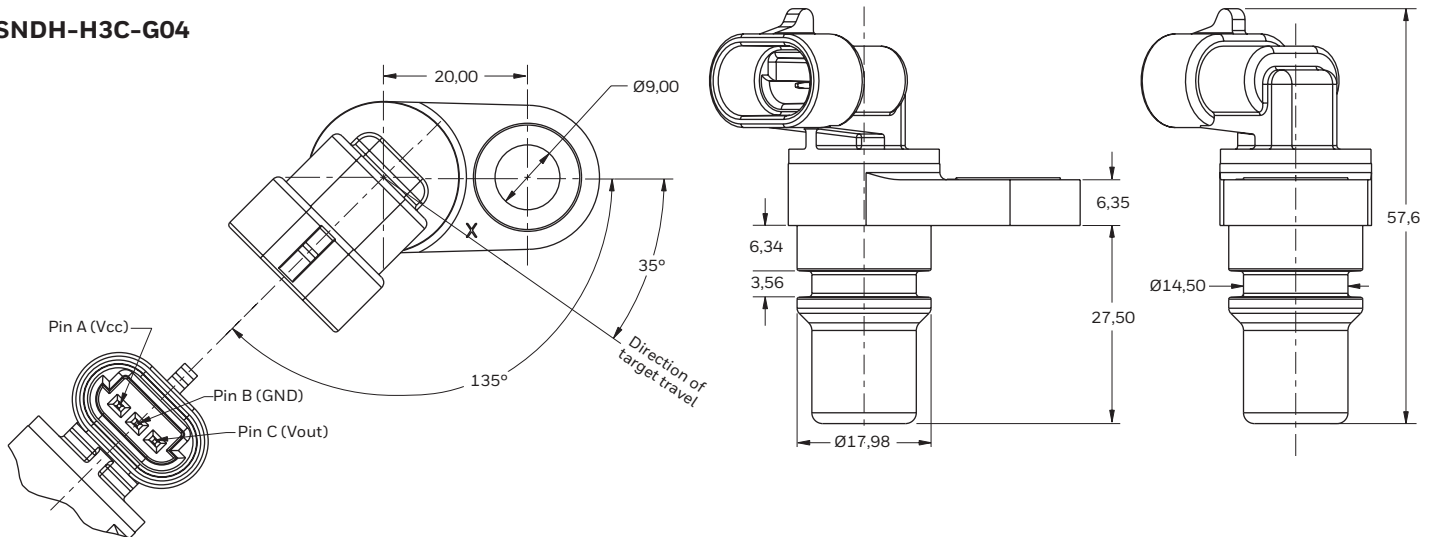
50071164

FIGURE 1. MOUNTING DIMENSIONS (FOR REFERENCE ONLY: MM.)

SNDH-H3L-G01



SNDH-H3C-G04



WARRANTY/REMEDY

Honeywell warrants goods of its manufacture as being free of defective materials and faulty workmanship during the applicable warranty period. Honeywell's standard product warranty applies unless agreed to otherwise by Honeywell in writing; please refer to your order acknowledgment or consult your local sales office for specific warranty details. If warranted goods are returned to Honeywell during the period of coverage, Honeywell will repair or replace, at its option, without charge those items that Honeywell, in its sole discretion, finds defective. The foregoing is buyer's sole remedy and is in lieu of all other warranties, expressed or implied, including those of merchantability and fitness for a particular purpose. In no event shall Honeywell be liable for consequential, special, or indirect damages.

While Honeywell may provide application assistance personally, through our literature and the Honeywell web site, it is buyer's sole responsibility to determine the suitability of the product in the application.

Specifications may change without notice. The information we supply is believed to be accurate and reliable as of this writing. However, Honeywell assumes no responsibility for its use.

⚠ WARNING **PERSONAL INJURY**

DO NOT USE these products as safety or emergency stop devices or in any other application where failure of the product could result in personal injury.

Failure to comply with these instructions could result in death or serious injury.

FOR MORE INFORMATION

Honeywell Advanced Sensing Technologies services its customers through a worldwide network of sales offices and distributors. For application assistance, current specifications, pricing or the nearest Authorized Distributor, visit [our website](#) or call:

| | |
|---------------|---------------------|
| USA/Canada | +1 302 613 4491 |
| Latin America | +1 305 805 8188 |
| Europe | +44 1344 238258 |
| Japan | +81 (0) 3-6730-7152 |
| Singapore | +65 6355 2828 |
| Greater China | +86 4006396841 |

Honeywell **Advanced Sensing Technologies**

830 East Arapaho Road
Richardson, TX 75081 F
sps.honeywell.com/ast

50071164-D-EN | D | 04/22
© 2022 Honeywell International Inc.

Honeywell