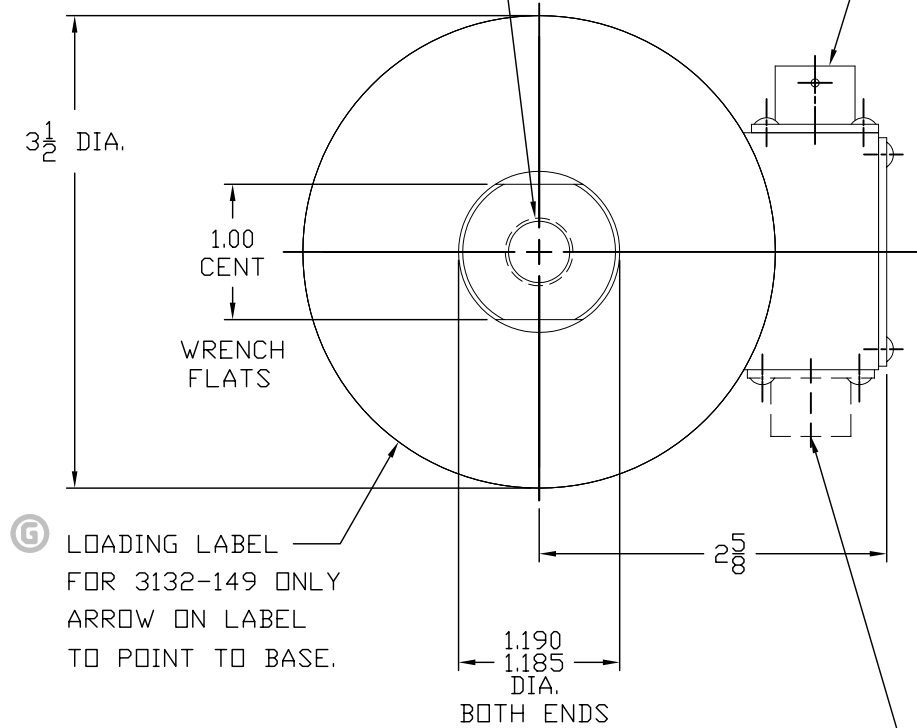
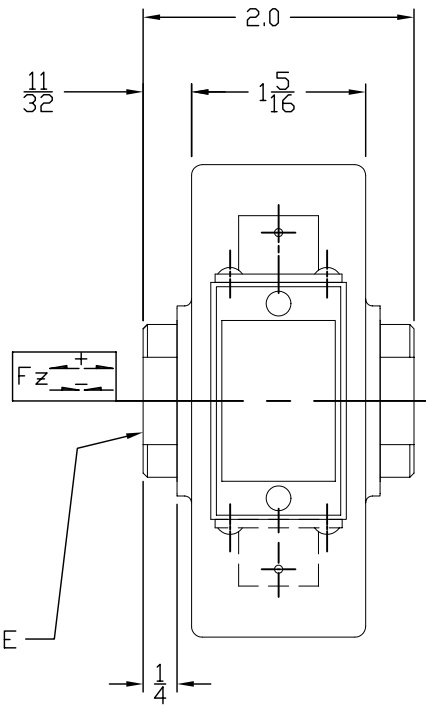


1/2-20 UNF-3B THD 5/8 DEEP
(BOTH ENDS)

RECEPTACLE
PT02E-10-6P
MATING CONNECTOR
FURNISHED



RECEPTACLE
PT02E-10-6P
FOR DUAL BRIDGE
(OPTIONAL)



DO NOT SCALE DRAWING	B-19113	REV.
ALL CHANGES TO DRAWING MUST BE DONE ON CAD	 THIRD ANGLE PROJECTION	

***NOTICE TO PERSONS RECEIVING THIS DRAWING AND/OR TECHNICAL INFORMATION:**
Lebow Products claims proprietary rights to the material disclosed hereon. This drawing and/or technical information is issued in confidence for engineering information only and may not be reproduced or used to manufacture anything shown or referred to hereon without direct written permission from Lebow Products to the user. This drawing and/or technical information is the property of Lebow Products and is loaned for mutual assistance, to be returned when its purpose has been served.

DET. NO.	PART NO.	DESCRIPTION	REQ'D.
----------	----------	-------------	--------

Lebow Products

Lebow Products
Troy, Michigan

UNLESS OTHERWISE SPECIFIED
LINEAR DIMENSIONS ARE IN INCHES
ANGULAR DIMENSIONS ARE IN DEGREES
DIMENSION LIMITS HELD AFTER PLATING

REMOVE ALL BURRS & SHARP EDGES
SURFACE FINISH 125 ✓

TOLERANCES

DRILLED HOLES -000 +007	TWO PLACE DECIMALS ± .010	THREE PLACE DECIMALS ± .005	ANGLES ± 0 ° 30'	DR. BY: C.P.	CHK'D. BY:	ENGR.
SCALE: NONE	REF. DWG. C-18998	FRACTIONAL DIMENSIONS ± 1/64	MAT'L.	DATE: 11/12/71	DATE:	DATE:
MODEL: 3132-STD				MODEL: 3132-STD		

TITLE: INSTALL. - LOAD CELL	DRAWING NO. B-19113	REV.
--------------------------------	------------------------	------

REMOVED WIRE CODE	REMOVED NOTES	DESCRIPTION	REVISIONS
REDRAWN ON CAD	REMOVED WIRE LABEL	DATE	
CD	CD	APPV'D.	
CF	CF	CHG'D.	
		ECN NO.	
J	H	G	SYM.