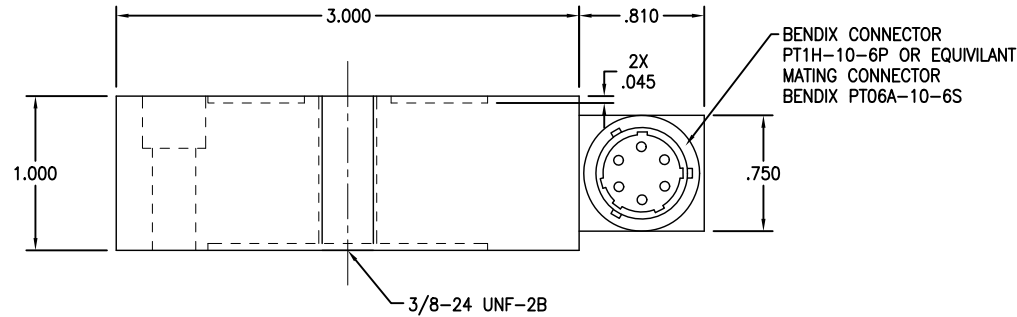
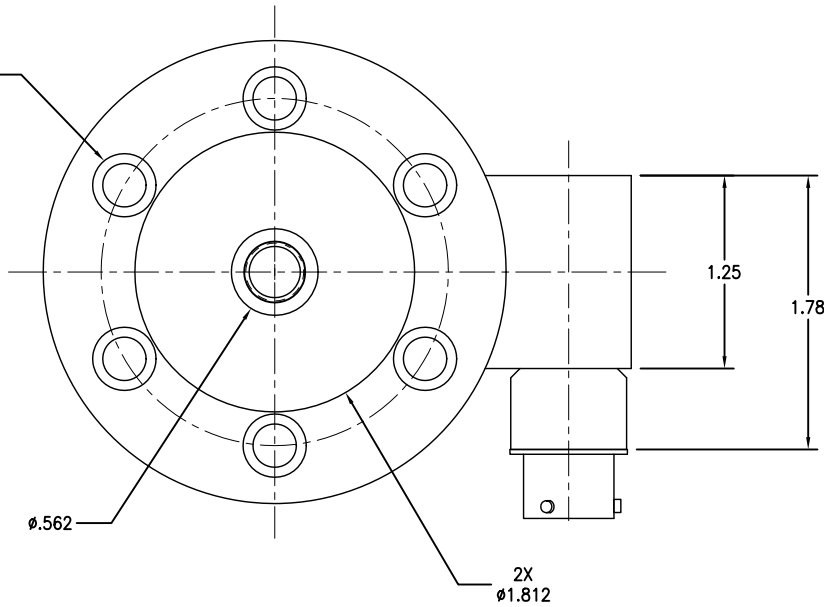


| |
|--------------------------|
| HONEYWELL PART NUMBER |
| - |

| REV | DOCUMENT | CHANGED BY | CHECK |
|-----|----------|----------------|-------|
| D | 0042004 | JDS 09/21/2009 | SDG |

6X
MOUNTING HOLES
EQUALLY SPACED ON
Ø2.250 B.C.
CLEARANCE FOR Ø.25
SOCKET HEAD SCREW



UNAMPLIFIED

| PIN | DESIGNATION |
|-----|----------------|
| A | (+) EXCITATION |
| B | (+) EXCITATION |
| C | (-) EXCITATION |
| D | (-) EXCITATION |
| E | (-) OUTPUT |
| F | (+) OUTPUT |

| |
|--------------------------|
| DESIGN UNITS: INCH |
| TOLERANCES UNLESS NOTED: |
| NO PLACES X ± - |
| ONE PLACE .X ± .1 |
| TWO PLACE .XX ± .01 |
| THREE PLACE .XXX ± .005 |
| ANGLES X ± .5° |
| THIRD ANGLE PROJECTION |
| |

| | | |
|--|------------|------------|
| DRAWN | J SAUBER | 09/21/2009 |
| CHECK | S. GREGORY | 09/21/2009 |
| THIS DRAWING COVERS A PROPRIETARY ITEM AND IS THE PROPERTY OF HONEYWELL. THIS DRAWING IS NOT TO BE COPIED OR USED WITHOUT THE PERMISSION OF HONEYWELL. | | |
| INTERPRET PER ASME Y14.5M-1994 OTHER HONEYWELL ENGINEERING STANDARDS MAY APPLY | | |
| AUTOCAD | | |

| | | | | |
|---|------|-----------|--------------|--------|
| Honeywell | | | | |
| TITLE ODD, MODEL 41 LOAD CELL 50 LB THRU 1250 LB, STD. PROD. | | | | |
| SIZE | TYPE | CAGE CODE | DRAWING NAME | REV |
| A | E | 51518 | 000-0181-00 | D |
| SCALE | - | SHEET | | 1 OF 1 |