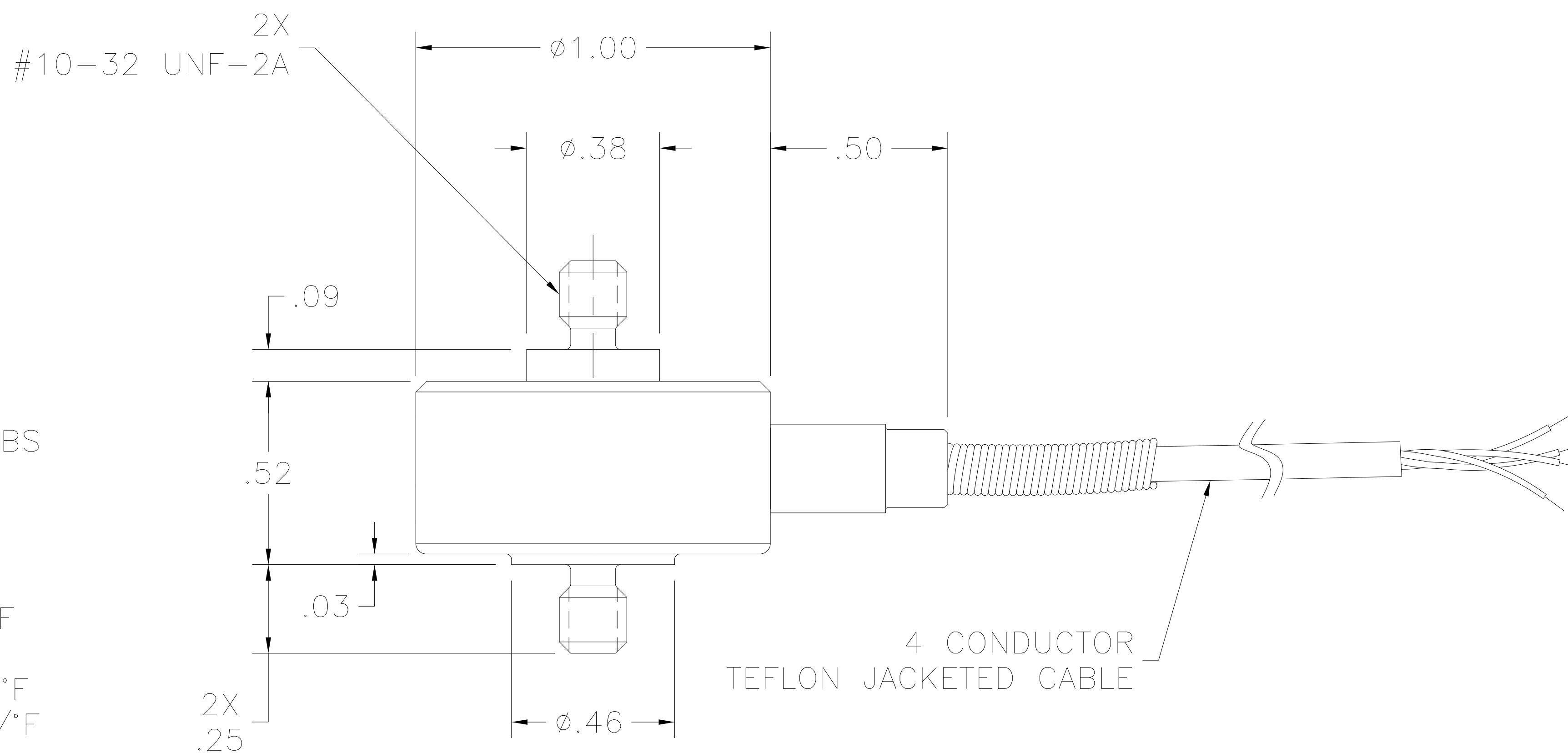


WIRING CODE

COLOR	DESIGNATION
RED	(+)EXCITATION
BLACK	(-)EXCITATION
GREEN	(-)OUTPUT
WHITE	(+)OUTPUT

SPECIFICATIONS

AVAILABLE RANGES:	25 TO 100 LBS
SUPPLY:	10 VDC
OUTPUT:	2 mV/V
NONLINEARITY:	± .15% F.S.
HYSTERESIS:	± .15% F.S.
COMPENSATED TEMPERATURE:	60°F TO 160°F
TEMPERATURE EFFECT:	
ZERO:	±.005% F.S./°F
SPAN:	±.005% Rdg./°F
BRIDGE RESISTANCE:	350 ohms
CASE MATERIAL:	17-4 PH SS



-	INITIAL RELEASE TO PRODUCTION			-	-
REV	DESCRIPTION			REVISED BY	APPROVED BY
DRW:	JWD	CHK:	RAF	MFG:	ENG: BDR
	1/24/02		01/30/02		01/28/02

SCALE: NONE	SENSOTEC INC. 2080 ARLINGATE LANE, COLUMBUS, OHIO 43228 © SENSOTEC, INC. ALL RIGHTS RESERVED	OUTLINE DWG, MODEL 31,060-1430 SERIES 1.00" OD, 10-32 UNF-2A	
.X ±.1			
.XX ±.01			
.XXX			
REV ECN	±.005	63	DOCUMENT NUMBER
USED ON	±1/2"	SHEET 1 OF 1	000-1462-00