

Accu-Gage

Digital Pressure Gauge and Digital Pressure Indicator



DESCRIPTION

This combination pressure transducer and digital readout is designed for use in both industrial and laboratory applications. Accu-Gage offers portability, enhanced accuracy, industrial grade durability, and very competitive prices.

Accu-Gage units are also often suitable for panel mounting to provide a clear readout of pressure or vacuum to machine operators on the process line or as on-line quality control monitors. They are also often additions to statistical process control systems, using the RS-232 or RS-485 interface.

Accu-Gage often handles even the harshest industrial environments with a metal case and handle to avoid failures caused by shock or vibration often associated with the use of plastics.

These instruments are often replacements for:

- Precision dial gauges
- Mercury columns
- Quartz tube barometers

FEATURES

- Transducer with read out
- Enhanced reading stability
- 0.05 % (AG-400) or 0.10 % (AG-401) F.S. accuracy
- N.I.S.T. traceable instrument and transducer
- CE approved

Ultra high precision

The Accu-Gage model AG-400 was designed to provide the most enhanced accuracy (0.05 % F.S.) and overall stability available in digital pressure indicators. To achieve the high level of stability demanded by Metrology and Calibration/Standards laboratories, Honeywell has chosen to fit all AG-400 instruments with our dependable, enhanced-accuracy pressure transducer. During manufacture the transducers undergo an extensive burn-in program. In addition, all Accu-Gage instruments undergo individual burn-in prior to shipment, thus the AG benefits from a double burn-in at both transducer and instrument level. This truly enhances the long-term stability of the instrument enabling the Accu-Gage to perform as a high integrity pressure transfer standard. Full traceability is assured to National Standards.

Accu-Gage

PERFORMANCE SPECIFICATIONS

Characteristic	Measure
Pressure ranges (AG400)	15, 25, 50, 75, 100, 200, 300, 500, 750, 1000, 1500, 2000, 3000, 5000, 7500, 10000, 15000 psig/A/V
Pressure ranges (AG401)	15, 25, 50, 75, 100, 200, 300, 500, 750, 1000, 1500, 2000, 3000, 5000, 7500, 10000, 15000, 60000 psig/A/V
Accuracy (AG400)	±0.05 %
Accuracy (AG401)	±0.10 %

GENERAL SPECIFICATIONS

Characteristic	Measure
Number of channels	1
Case material	Aluminum
Case size	3/8 DIN

ENVIRONMENTAL SPECIFICATIONS

Characteristic	Measure
Temperature, operating	16 °C to 41 °C [60 °F to 105 °F]
Temperature, effect	0.004 %/°F over operating range
Temperature, storage	-29 °C to 93 °C [-20 °F to 200 °F]

AMPLIFIER CHARACTERISTICS

Characteristic	Measure
Frequency response	2 Hz
Step response	40 ms

DIGITAL DISPLAY CHARACTERISTICS

Characteristic	Measure
Number of characters	6
Scaling	Automatic or manual setup
Max. display count	999,999
Field selectable units	psi, bar, mbar, torr, in H ₂ O, ft H ₂ O, in Hg, mm Hg, MPa
Resolution	1/50000

PHYSICAL CHARACTERISTICS

Characteristic	Measure
Power requirements	100 Vac to 230 Vac, 47 Hz to 63 Hz
Limits output	Open-collector
Pressure port (15 psi to 1000 psi)	1/4-18 NPT male
Pressure port (1500 psi to 10000 psi)	1/4-18 NPT female
Pressure port (15000 psi to 60000 psi)	Autoclave AE F250-C

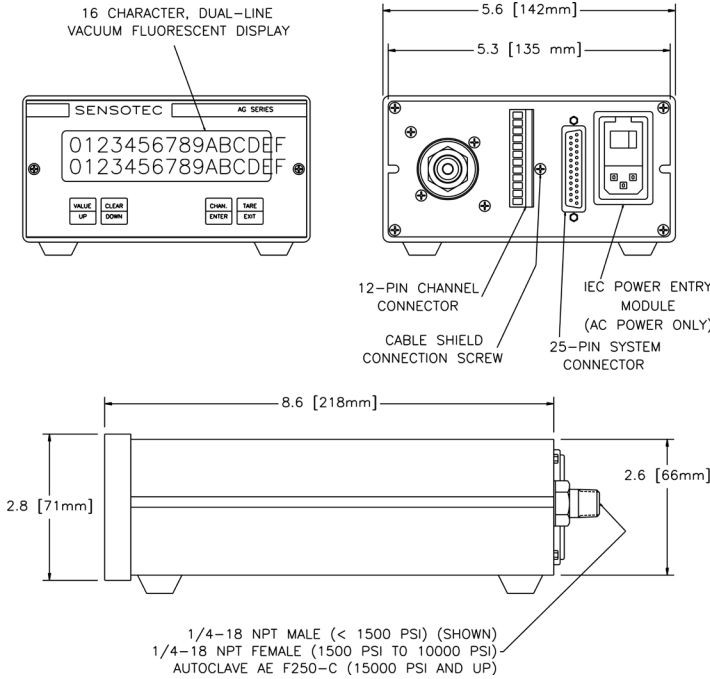
SPECIAL FEATURES

0-560 ° to 41 °C [105 °F] or 0 V to 10 V output (field selectable)
Field selectable engineering units
Auto-zero
Tare
Hi/lo quad limits
Peak/valley hold on input channels

RANGE CODES

Range Code	Available ranges
BJ	15 psig/A/V
BL	25 psig/A/V
BN	50 psig/A/V
BP	75 psig/A/V
BR	100 psig/A/V
CL	200 psig/A/V
CP	300 psig/A/V
CR	500 psig/A/V
CT	750 psig/A/V
CV	1000 psig/A/V
DJ	1500 psig/A/V
DL	2000 psig/A/V
DN	3000 psig/A/V
DR	5000 psig/A/V
DT	7500 psig/A/V
DV	10000 psig/A/V
EJ	15000 psig/A/V
ES	60000 psig/A/V

MOUNTING DIMENSIONS AND CHARACTERISTICS



For reference only

Warranty. Honeywell warrants goods of its manufacture as being free of defective materials and faulty workmanship. Honeywell's standard product warranty applies unless agreed to otherwise by Honeywell in writing; please refer to your order acknowledgement or consult your local sales office for specific warranty details. If warranted goods are returned to Honeywell during the period of coverage, Honeywell will repair or replace, at its option, without charge those items it finds defective. **The foregoing is buyer's sole remedy and is in lieu of all warranties, expressed or implied, including those of merchantability and fitness for a particular purpose. In no event shall Honeywell be liable for consequential, special, or indirect damages.**

While we provide application assistance personally, through our literature and the Honeywell web site, it is up to the customer to determine the suitability of the product in the application.

Specifications may change without notice. The information we supply is believed to be accurate and reliable as of this printing. However, we assume no responsibility for its use.

For more information about Sensing and Control products, visit www.honeywell.com/sensing or call +1-815-235-6847
Email inquiries to info.sc@honeywell.com

⚠ WARNING **PERSONAL INJURY**

- DO NOT USE these products as safety or emergency stop devices or in any other application where failure of the product could result in personal injury.

Failure to comply with these instructions could result in death or serious injury.

⚠ WARNING **MISUSE OF DOCUMENTATION**

- The information presented in this catalogue is for reference only. DO NOT USE this document as product installation information.
- Complete installation, operation and maintenance information is provided in the instructions supplied with each product.

Failure to comply with these instructions could result in death or serious injury.