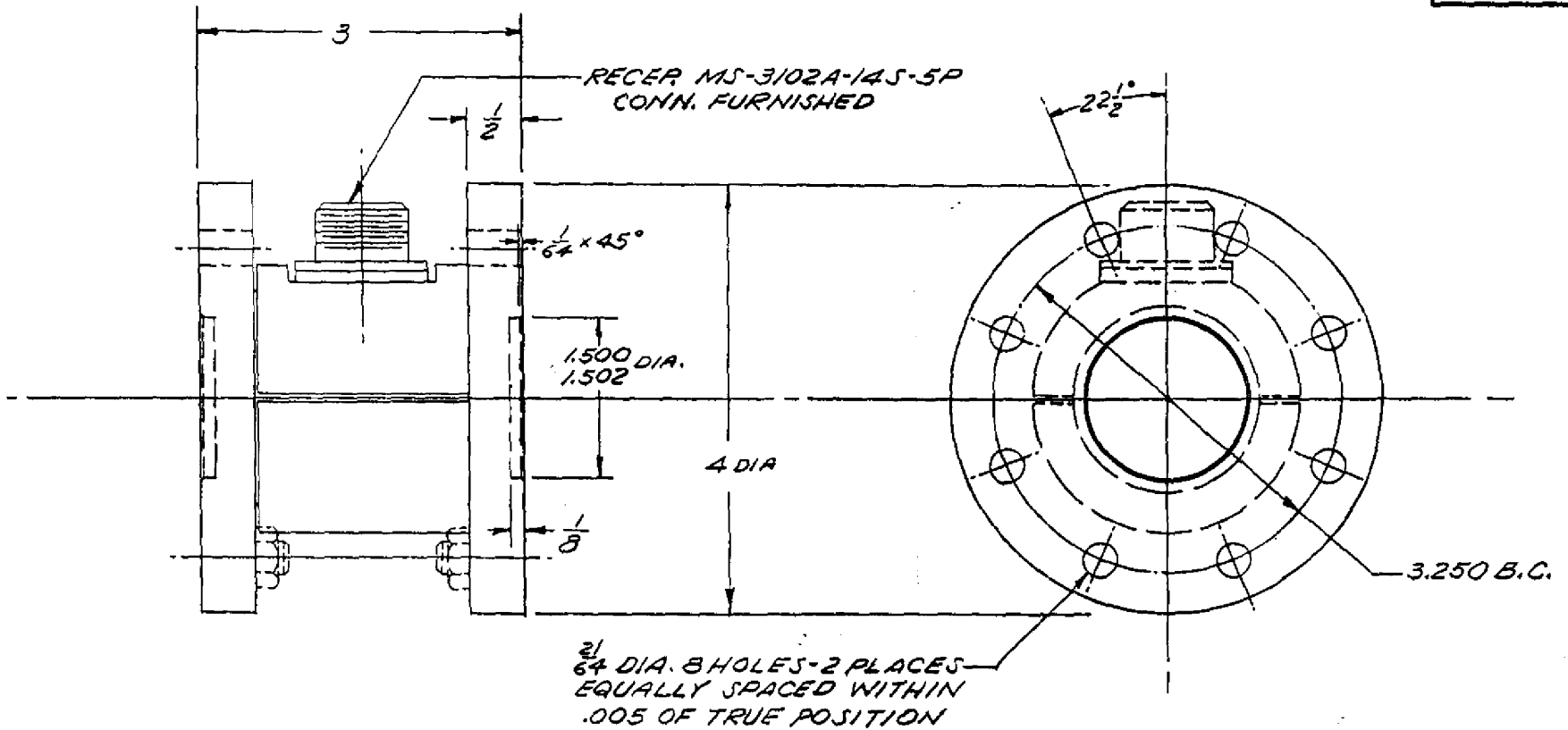


B-2110-D



Ⓒ Performance Spec. S-2110  
 OUTPUT 2.0 MV/VOLT NOMINAL

2110-10K	10000 IN.-LB.	Ⓓ
2110-5K	5000 IN.-LB.	Ⓔ
2110-500	500 IN.-LB.	Ⓕ
2110-1K	1000 IN.-LB.	
2110-6K	6000 IN.-LB.	
2110-4K	4000 IN.-LB.	
2110-2K	2000 IN.-LB.	
MODEL	CAPACITY	

D	Added 10K Capacity	5-24-65
C	Added Perf. Spec.	3-3-60
B	ECN 2337	12-11-74
A	Added 5000 IN.-LB.	5-24-65
SYM.	REVISION	DATE

DET. NO.	PART NO.	DESCRIPTION	REQ'D
<b>INSTALLATION DIMENSIONS -                  FLANGED REACTION TORQUE SENSOR</b>			
SCALE: FULL	DRAWN BY: C. OSTER	REP. DWG. NO.	DRAWING NO.
DATE: 5-24-65	CHK'D BY:	MODEL: 2110	JOB NO.
TOLERANCE ON FRACTIONS ± 1/64 TWO PLACE DECIMALS ± .010 THREE PLACE DECIMALS ± .005 ANGLES ± 90"		UNLESS OTHERWISE SPECIFIED: TOLERANCE ON DRILLED HOLES ± .005 REMOVE ALL BURRS & SHARP EDGES DIMENSION LIMITS HELD AFTER PLATING SURFACE FINISH 125/7	
<b>LEBOW ASSOCIATES, INC.</b> OAK PARK, MICHIGAN			DRAWING NO. <b>B-2110-D</b>