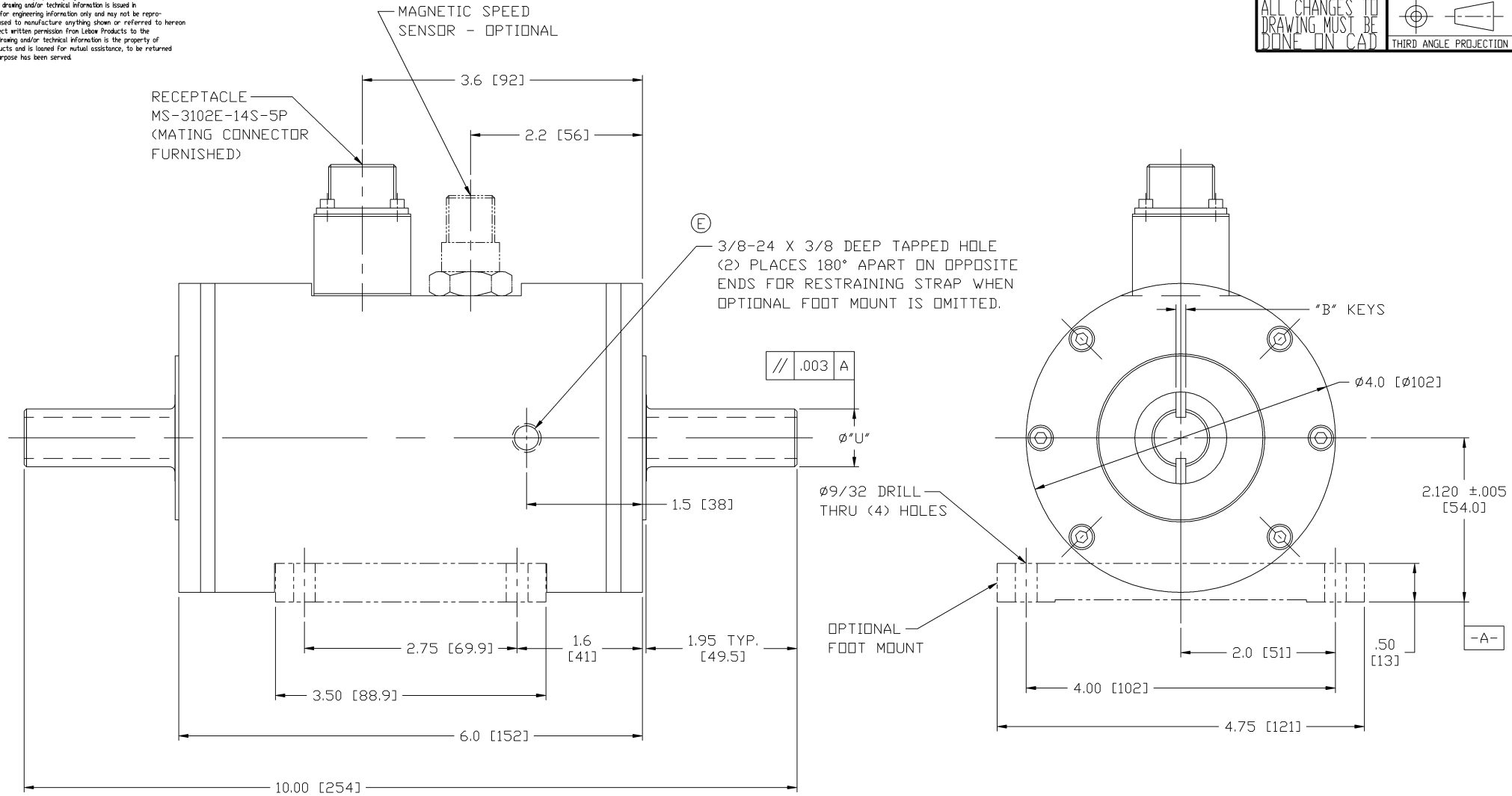


"NOTICE TO PERSONS RECEIVING THIS DRAWING AND/OR TECHNICAL INFORMATION"
 Lebow Products claims proprietary rights to the material disclosed hereon. This drawing and/or technical information is issued in confidence for engineering information only and may not be reproduced or used to manufacture anything shown or referred to hereon without direct written permission from Lebow Products to the user. This drawing and/or technical information is the property of Lebow Products and is loaned for mutual assistance, to be returned when its purpose has been served.

DO NOT SCALE DRAWING	C-1804-D	REV.
ALL CHANGES TO DRAWING MUST BE DONE ON CAD	THIRD ANGLE PROJECTION	



OVERLOAD CAPACITY --- 300% AT 50, 100, 200, 500 AND 1K
 150% AT 2K LB. IN.

OUTPUT ----- 2.0 mV/VOLT NOMINAL

SPEED ----- 27,000 R.P.M.

Ⓔ FOR ADDITIONAL SPECIFICATIONS SEE EATON/LEBOW SPEC. SHEET S-1800

- NOTES:
- 1.) ALL DIMENSIONS IN BRACKETS ARE MILLIMETERS.
 - 2.) DYNAMICALLY BALANCE WITHIN .02 IN. OZ. UPON REQUEST ONLY.

2K (225), 1K (113), 500 (55)	∅1.000 (25.4)	.250 SQ. (6.35)
200 (23), 100 (11)	∅.750 (19.05)	.188 SQ. (4.77)
CAPACITY AVAILABLE IN. LBS. (NEWTON METERS)	∅"U" BOTH ENDS	"B" KEYWAY TYP.

DET. NO.	PART NO.	DESCRIPTION	REV'D.
Lebow Products		Lebow Products Troy, Michigan	
UNLESS OTHERWISE SPECIFIED LINEAR DIMENSIONS ARE IN INCHES REMOVE ALL BURRS & SHARP EDGES ANGULAR DIMENSIONS ARE IN DEGREES SURFACE FINISH 125 ✓ DIMENSION LIMITS HELD AFTER PLATING			
TOLERANCES		DR. BY: JR	ENGR. PM
DRILLED HOLES + .000 - .007	TWO PLACE DECIMALS ± .00	THREE PLACE DECIMALS ± .005	ANGLES ± 0° 30'
SCALE: NONE	REF. DWG. D-30935	FRACTIONAL DIMENSIONS ± 1/64	MAT'L: -
DATE: 12/12/85		DATE: 12/17/75	DATE: 12/85
TITLE: INSTALLATION ~ ROTARY TRANSFORMER TORQUE SENSOR		MODEL: 1804	REV.
DRAWING NO. C-1804-D			

ADDED SPEC. NOTE	DESCRIPTION	DATE
1/4/88		
JR	CHG'D.	
40544013	ECN NO.	
E D	SYM.	

REVISIONS