

Product Data Sheet

Product Datasheet

T3SH Sulfur Dioxide Transmitter

Document Purpose

The purpose of this document is to present the performance specification of the T3SH transmitter.

This document should be used in conjunction with Operating Principles (OP12) and the Product Safety Datasheet (PSDS 2).

The data provided in this document are valid at 20°C, 50% RH and 1013 mBar for 3 months from the date of sensor manufacture. For guidance on sensor performance outside of these limits, please refer to the Operating Principles.

Output signal can drift below the lower limit over time. For guidance on the safe use of the sensor, please refer to the Operating Principles.

Product Data Sheet

Key Features & Benefits

- Robust 3-Series packaging
- Industry standard 4-20 mA output

Technical Specifications

MEASUREMENT

Sensor Type Used	3SH
Filter	None
Output	4-20 mA d.c.
Response Time (T₉₀)*	<15 Seconds at 20°C
Resolution	0.1 ppm
Zero Shift (-20°C to +40°C)	<0.1 ppm equivalent
Repeatability	2% of signal
Linearity	Linear

ELECTRICAL

Power Supply Required	10 - 35 VDC single-ended
Output Impedance	4 MΩ
Calibration	Via built-in span and zero potentiometers

MECHANICAL

Mounting	Via mounting nose supplied
Weight	58 g including mounting accessory
Position Sensitivity	None

ENVIRONMENTAL

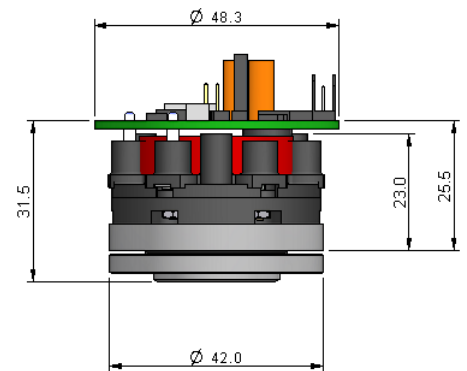
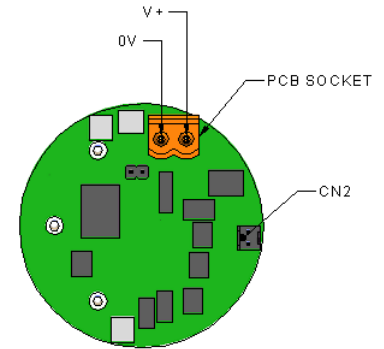
Operating Temperature Range	-20°C to +50°C
Recommended Storage Temp	0°C to 20°C
Temperature Compensation	None
Operating Pressure Range	Atmospheric ± 10%
Pressure Coefficient	No data
Operating Humidity Range	15 - 90% RH non-condensing

LIFETIME

Long Term Sensitivity Drift*	<2% signal loss/month
Expected Operating Life	Two years in air
Storage Life	6 months in CTL container
Standard Warranty	12 months from date of despatch

* Specifications are valid at 20°C, 50% RH and 1013 mBar, using City Technology recommended circuitry. Performance characteristics outline the performance of sensors supplied within the first 3 months. Output signal can drift below the lower limit over time.

Product Dimensions



All dimensions in mm
All tolerances ±0.15 mm unless otherwise stated

RANGES AVAILABLE

T3SH Transmitters are available with the following precalibrated ranges, and can be recalibrated to intermediate ranges.

Range	Order Code
0-5 ppm	TD9A-1A
0-10 ppm	TD9B-1A
0-20 ppm	TD9C-1A
0-30 ppm	TD9D-1A
0-100 ppm	TD9F-1A

Product Data Sheet

Poisoning

CiTiceLs are designed for operation in a wide range of environments and harsh conditions. However, it is important that exposure to high concentrations of solvent vapours is avoided, both during storage, fitting into instruments and operation.

When using sensors with printed circuit boards (PCBs), degreasing agents should be used before the sensor is fitted. Do not glue directly on or near the CiTiceL as the solvent may cause crazing of the plastic.

Cross Sensitivity Table

Whilst CiTiceLs are designed to be highly specific to the gas they are intended to measure, they will still respond to some degree to various other gases. The table below is not exclusive and other gases not included in the table may still cause a sensor to react.

IMPORTANT NOTE : The cross sensitivity data shown below does not form part of the product specification and is supplied for guidance only. Values quoted are based on tests conducted on a small number of sensors and any batch may show significant variation. For the most accurate measurements, an instrument should be calibrated using the gas under investigation.

Gas	Concentration (ppm)	3SH (ppm SO ₂)
Carbon Monoxide, CO	300	<3
Hydrogen Sulfide, H ₂ S	15	≈ 20
Nitrous Oxide, N ₂ O	35	0
Nitrogen Dioxide, NO ₂	5	≈ -6
Chlorine, Cl ₂	1	≈ -0.5
Hydrogen, H ₂	100	0
Hydrogen Cyanide, HCN	10	≈ 5
Hydrogen Chloride, HCl	5	≈ 0.5
Ethylene, C ₂ H ₄	100	0

SAFETY NOTE

This sensor is designed to be used in safety critical applications. To ensure that the sensor and/or instrument in which it is used, are operating properly, it is a requirement that the function of the device is confirmed by exposure to target gas (bump check) before each use of the sensor and/or instrument. Failure to carry out such tests may jeopardize the safety of people and property.

Every effort has been made to ensure the accuracy of this document at the time of printing. In accordance with the company's policy of continued product improvement City Technology Limited reserves the right to make product changes without notice. The products are always subject to a programme of improvement and testing which may result in some changes in the characteristics quoted. As the products may be used by the client in circumstances beyond the knowledge and control of City Technology Limited, we cannot give any warranty as to the relevance of these particulars to an application. It is the clients' responsibility to carry out the necessary tests to determine the usefulness of the products and to ensure their safety of operation in a particular application.