

SURECELL™ 4HS GAS SENSOR

002826

Issue 6

Hydrogen Sulfide (H₂S) Gas Sensor



Hydrogen Sulfide (H₂S)
Sensor: **4HS**
Part Number: 2112B2027

DESCRIPTION

SureCell™ gas sensors are the industry standard for portable gas detectors. The range includes sensors which detect oxygen and toxic gases, and fully certified pellistors for combustible gas detection.

DOCUMENT PURPOSE

The purpose of this document is to present the performance specification of the SureCell™ 4HS gas sensor.

This document should be used in conjunction with Operating Principles (OP08) and the Product Safety Datasheet (PSDS 5.1).

The data provided in this document are valid at 20°C, 50 %RH and 1013 mBar for three months from the date of sensor manufacture. Output signal can drift below the lower limit over time. For guidance on sensor performance outside of these limits, please refer to the Operating Principles.

For guidance on the safe use of the sensor, please refer to the Operating Principles.

APPLICATIONS

- TVL monitoring (Threshold value level)
- Leakage detection
- Portable and fixed-point sensing for life safety applications

PORTFOLIO

The SureCell™ sensor family is part of the extensive line of Honeywell gas sensors. To learn more about the product, or the many other gas sensors in this series, [click here](#).

FEATURES AND BENEFITS



Industry-leading reliability



Improve performance variability



Enhanced long-term stability

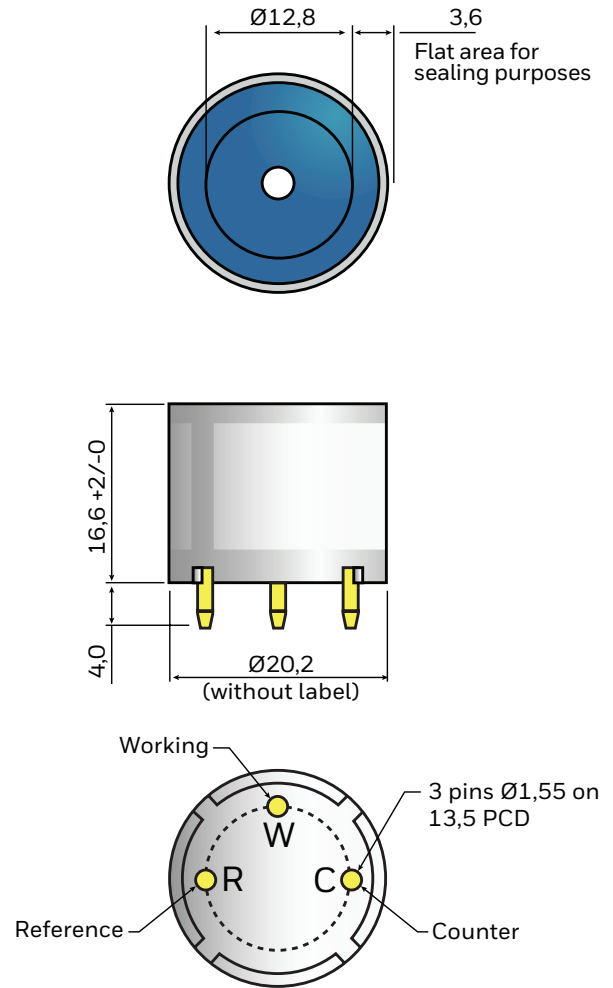
SURECELL™ GAS SENSOR 4HS SERIES

TABLE 1. TECHNICAL SPECIFICATIONS

| MEASUREMENT | |
|--|--|
| Operating principle | 3-electrode electrochemical |
| Measurement range | 0 ppm H ₂ S to 100 ppm H ₂ S |
| Maximum overload | 500 ppm H ₂ S |
| Filter | None |
| Sensitivity | 0.75 μA/ppm ±0.15 μA/ppm |
| Response time (T₉₀)* | < 20 seconds |
| Baseline offset* (clean air) | < ±0.5 ppm equivalent |
| Zero shift (-40°C to 50°C) | < ±0.4 ppm equivalent |
| Repeatability | < ±5 % |
| Linearity | Linear < ±5 % |
| ELECTRICAL | |
| Recommended load resistor | 5 Ohm |
| Bias voltage | Not required |
| MECHANICAL | |
| Housing material | Noryl N110 |
| Weight | 5 g (approx.) |
| Orientation | Any |
| ENVIRONMENTAL | |
| Operating temperature range | Continuous: -20°C to 40°C Intermittent: -40°C to 55°C |
| Operating pressure range | 1 atm ±10 % |
| Operating humidity range | 15 %RH to 90 %RH, non-condensing |
| INTRINSIC SAFETY DATA | |
| Maximum at 500 ppm | 0.5 mA |
| Maximum o/c voltage | 0.8 V |
| Maximum s/c current | < 1.0 A |
| LIFETIME | |
| Long-term output drift | < 2 % per month |
| Recommended storage temperature | 10 °C to 30°C |
| Expected operating life | 2 years in air |

* Specifications are valid at 20°C, 50 %RH, and 1013 mBar using Honeywell recommended circuitry. Performance characteristics outline the performance of sensors supplied within the first three months. Output signal can drift below the lower limit over time.

Product Dimensions



All dimensions in mm

All tolerances ±0,15 mm unless otherwise stated

IMPORTANT NOTES

Connection should be made via PCB sockets only. Soldering to the pins will seriously damage your sensor and invalidate the warranty.

SURECELL™ GAS SENSOR 4HS SERIES

Poisoning

SureCell™ is designed for operation in a wide range of environments and harsh conditions. However, it is important that exposure to high concentrations of solvent vapours is avoided, both during storage, fitting into instruments and operation.

When using sensors with printed circuit boards (PCBs), degreasing agents should be used before the sensor is fitted. Do not glue directly on or near the SureCell sensor as the solvent may cause crazing of the plastic.

Cross-Sensitivity Table

Whilst SureCells™ are designed to be highly specific to the gas they are intended to measure, they will still respond to some degree to various other gases. The table below is not exclusive and other gases not included in the table may still cause a sensor to react.

IMPORTANT NOTE : The cross sensitivity data shown below does not form part of the product specification and is supplied for guidance only. Values quoted are based on tests conducted on a small number of sensors and any batch may show significant variation. For the most accurate measurements, an instrument should be calibrated using the gas under investigation.

TABLE 3. CROSS SENSITIVITY

| GAS | Concentration used (ppm) | Reading equivalent (ppm H ₂ S) | Nature of reading | % Cross sensitivity |
|---|--------------------------|---|-------------------|---------------------|
| Ammonia, NH ₃ | 50 | 0 | Steady state | 0 |
| Carbon Dioxide, CO ₂ | 5000 | 0 | Steady state | 0 |
| Carbon Monoxide, CO | 1000 | < 6 | Transient* | < 0.6 |
| Chlorine, Cl ₂ | 15 | < 2.5 | Steady state | < 17 |
| Ethylene, C ₂ H ₄ | 100 | 0 | Steady state | 0 |
| Hydrogen, H ₂ | 2000 | < 2.5 | Transient* | < 0.2 |
| Nitric Oxide, NO | 50 | < 1.5 | Transient* | < 3 |
| Nitrogen Dioxide, NO ₂ | 20 | < 5 | Steady state | < 25 |
| Sulphur Dioxide, SO ₂ | 20 | < 3.5 | Steady state | < 18 |
| Methyl Mercaptan, CH ₄ S | 100 | < 12 | Steady state | < 12 |

*Single gas bump at the stated concentration, after this exposure the concentration settles down to a much lower value

WARRANTY/REMEDY

Honeywell warrants goods of its manufacture as being free of defective materials and faulty workmanship during the applicable warranty period. Honeywell's standard product warranty applies unless agreed to otherwise by Honeywell in writing; please refer to your order acknowledgment or consult your local sales office for specific warranty details. If warranted goods are returned to Honeywell during the period of coverage, Honeywell will repair or replace, at its option, without charge those items that Honeywell, in its sole discretion, finds defective. **The foregoing is buyer's sole remedy and is in lieu of all other warranties, expressed or implied, including those of merchantability and fitness for a particular purpose. In no event shall Honeywell be liable for consequential, special, or indirect damages.**

While Honeywell may provide application assistance personally, through our literature and the Honeywell web site, it is buyer's sole responsibility to determine the suitability of the product in the application.

Specifications may change without notice. The information we supply is believed to be accurate and reliable as of this writing. However, Honeywell assumes no responsibility for its use.

For more information

Honeywell Sensing & Safety Technologies services its customers through a worldwide network of sales offices and distributors. For application assistance, current specifications, pricing, or the nearest Authorized Distributor, visit sps.honeywell.com/ast or call:

| | |
|---------------|---------------------|
| USA/Canada | +302 613 4491 |
| Latin America | +1 305 805 8188 |
| Europe | +44 1344 238258 |
| Japan | +81 (0) 3-6730-7152 |
| Singapore | +65 6355 2828 |
| Greater China | +86 4006396841 |

Honeywell Sensing & Safety Technologies

830 East Arapaho Road
Richardson, TX 75081
www.honeywell.com

SureCell™ is a trademark or registered trademark of Honeywell International Inc., in the United States and other countries.

ECN-00037042
002826-6-EN | 6 | 07/23
© 2023 Honeywell International Inc. All rights reserved.

WARNING MISUSE OF DOCUMENTATION

- The information presented in this product sheet is for reference only. Do not use this document as a product installation guide.
- Complete installation, operation, and maintenance information is provided in the instructions supplied with each product.

Failure to comply with these instructions could result in death or serious injury.

SAFETY NOTE

This sensor is designed to be used in safety critical applications. To ensure that the sensor and/or instrument in which it is used, are operating properly, it is a requirement that the function of the device is confirmed by exposure to target gas (bump check) before each use of the sensor and/or instrument. Failure to carry out such tests may jeopardize the safety of people and property.

Honeywell