

Product Data Sheet

Product Datasheet

70XV Oxygen CiTiceL®

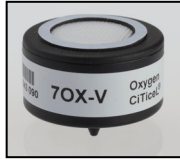
Document Purpose

The purpose of this document is to present the performance specification of the 70XV oxygen sensor.

This document should be used in conjunction with the Operating Principles (OP02) and the Product Safety Datasheet (PSDS 4).

The data provided in this document are valid at 20°C, 50% RH and 1013 mBar for 3 months from the date of sensor manufacture. Output signal can drift below the lower limit over time. For guidance on the safe use of the sensor and on sensor performance outside of these environmental limits, please refer to the Operating Principles.

Product Data Sheet



Key Features and Benefits:

- Robust, industry standard 7-Series packaging
- Compact size

Technical Specifications

MEASUREMENT

Technology	Electrochemical
Measurement Range	0-25% vol. O ₂
Maximum Overload	30% vol. O ₂
Output Signal*	0.195 - 0.25 mA in Air
Response Time (T90)*	<15 Seconds
Offset (3 minutes N₂)*	<0.5% vol. O ₂
Linearity	Can be considered linear in many cases. See Operating Principles (OP-02) for further details.

ELECTRICAL

Recommended Load Resistor | 100 Ω

MECHANICAL

Weight <34 g
Casing Material ABS

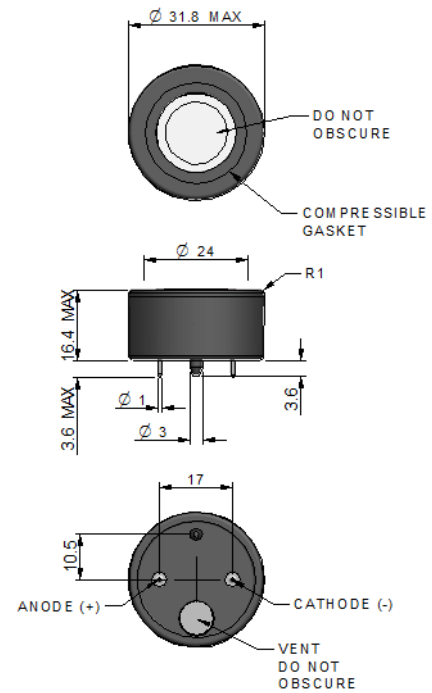
ENVIRONMENTAL

Operating Temperature Range	-20°C to +50°C
Recommended Storage Temp	0°C to 20°C
Temperature Coefficient	0.2% signal / °C
Absolute Pressure Range	Atmospheric ± 10%
Differential Pressure Range	40 mBar maximum
Pressure Coefficient	<0.02% signal / mBar
Relative Humidity Range	
Intermittent	0 to 99%RH non-condensing
Continuous	15 to 99%RH non-condensing

LIFETIME

Long Term Output Drift*	<5% signal / year
Expected Operating Life	2 years in air
Storage Life	6 months in original packaging

Product Dimensions



All dimensions in mm
All tolerances ±0.15 mm
unless otherwise stated

IMPORTANT NOTES

Do not remove label. Do not solder to pins.

When installing the sensor into instrumentation, the sensor vent hole should not be blocked. The instrument should also be adequately vented.

If the sensor vent hole is blocked or if the instrument is not adequately vented, sensor performance will be compromised.

For further details, refer to Operating Principles OP02.

* Specifications are valid at 20°C, 50% RH and 1013 mBar, using City Technology recommended circuitry. Performance characteristics outline the performance of sensors supplied within the first 3 months. Output signal can drift below the lower limit over time.

Product Data Sheet

Poisons

CiTiceLs are designed for operation in a wide range of environments and harsh conditions. However it is important that exposure to high concentrations of solvent vapours is avoided, both during storage, fitting into instruments, and operation. When using sensors with printed circuit boards (PCBs), degreasing agents should be used before the sensor is fitted. Do not glue directly on or near the CiTiceL as the solvent may cause crazing of the plastic.

Cross Sensitivity Data

Toxic gases at TLV levels will have no cross-sensitivity effect on Oxygen CiTiceLs. At very high levels (i.e. percent levels), highly oxidising gases (e.g. ozone, chlorine) will interfere to the extent of their oxygen equivalent, but most other commonly occurring gases will have no effect.

Acid Gases

IMPORTANT NOTE: Acid gases such as CO₂ and SO₂ will be absorbed by the electrolyte and tend to increase the flux of oxygen to the electrode. This gives an enhanced oxygen signal of approximately 0.3% of signal per 1% CO₂. Oxygen CiTiceLs are not suitable for continuous operation in concentrations of CO₂ above 25%.

SAFETY NOTE

This sensor is designed to be used in safety critical applications. To ensure that the sensor and/or instrument in which it is used, are operating properly, it is a requirement that the function of the device is confirmed by exposure to target gas (bump check) before each use of the sensor and/or instrument. Failure to carry out such tests may jeopardize the safety of people and property.

Every effort has been made to ensure the accuracy of this document at the time of printing. In accordance with the company's policy of continued product improvement City Technology Limited reserves the right to make product changes without notice. The products are always subject to a programme of improvement and testing which may result in some changes in the characteristics quoted. As the products may be used by the client in circumstances beyond the knowledge and control of City Technology Limited, we cannot give any warranty as to the relevance of these particulars to an application. It is the clients' responsibility to carry out the necessary tests to determine the usefulness of the products and to ensure their safety of operation in a particular application.