

Chlorine Sensor 0-10 ppm

Performance Characteristics

Part Number	CLE-0911-400
Nominal Range	0-10 ppm
Maximum Overload	50 ppm
Sensitivity	0.75± 0.15 µA/ppm
Baseline (20 °C)	< ±0.1 µA
Baseline drift	0 ~ -0.3 ppm equivalent
(-20 ~ 40 °C):	
Resolution:	0.1 ppm
Response Time (t₉₀)	≤30 sec
Linearity	Linear
Long term output Drift	<2% signal/month

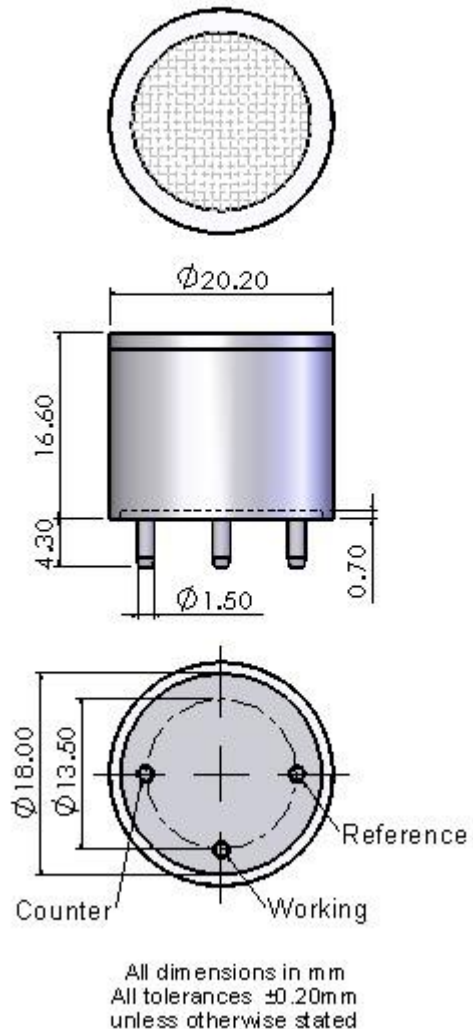
Operation Conditions

Temperature Range	-20°C to 50°C
Operating Humidity	15 ~ 90%RH non-condensing
Pressure Range	Atmospheric ±10%
Bias Potential	0 mV
Storage Life	6 months in sealed container
Storage Temperature	0°C to 20°C
Sensor Life Expectancy	2 year
Warranty	12 months from date of shipment

Physical Characteristics

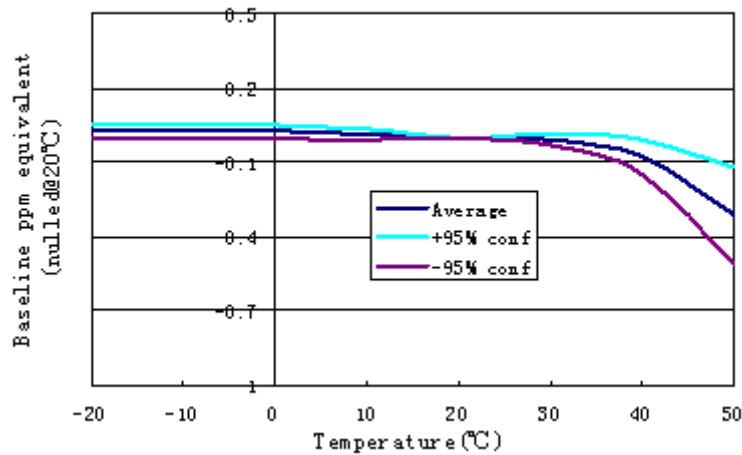
Weight	5 g (approx)
Orientation sensitivity	None

Outline Dimensions

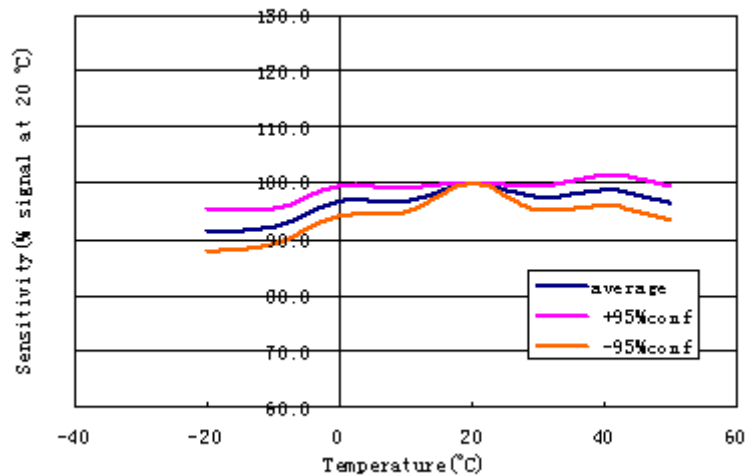


Temperature Dependence

4Cl₂-10-Baseline vs Temperature



4Cl₂-10-Sensitivity vs Temperature



Cross-sensitivity Data

Gas	Concentration (ppm)	Output signal (ppm Cl ₂ equivalent)
Hydrogen Sulfide	20	-4
Carbon Monoxide	100	0
Sulphur Dioxide	20	0
Nitric Oxide	35	0
Nitrogen Dioxide	10	12
Hydrogen	3000	0
Ammonia	100	0
Carbon Dioxide	10000	0
Chlorine Dioxide	1	3.5

Notes:

1. All performance specifications are based upon the following environment conditions: 20 °C, 50% relative humidity and 1 atmospheric pressure (100 kPa or ambient pressure).
2. Recommend calibration with target gas. If calibration with a cross sensitivity gas, we cannot ensure the accuracy of calibration and measurement.
3. The cross sensitivity may fluctuate between +/- 30% and may differ from batch to batch or from sensor's life time.
4. The cross sensitivities are including but not limited to the above gases. It may also respond to other gases.