

Classic Line 7NH₃-100 Sensor



Ammonia Sensor 0-100 ppm

Performance Characteristics

Part Number	CLE-1012-700
Nominal Range	0-100ppm
Max overload	200ppm
Sensitivity	0.10 ± 0.02µA/ppm
Zero signal @ 20 °C	<±1.0 µA
Baseline drift(-20 ~ 40 °C)	<15 ppm equivalent NH ₃
Resolution	<0.5 ppm
Response Time (T ₉₀)	≤120 Sec
Linearity	Linear
Long term output Drift	<2% signal/month

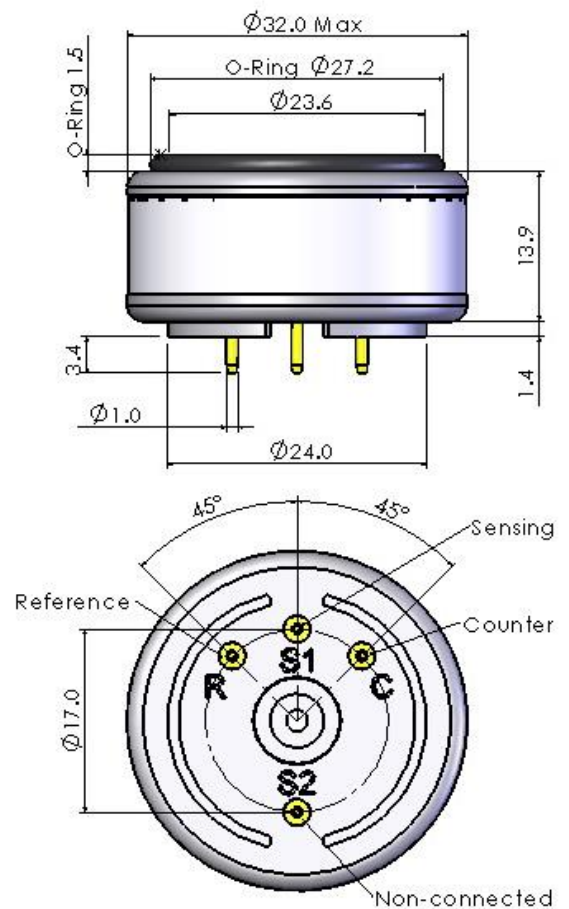
Operation Conditions

Temperature Range	-4 °F to 104 °F (-20 °C to 40 °C)
Operating Humidity	15 ~ 90%RH (non-condensing)
Pressure Range	91 ~ 111 kPa
Bias Potential	+300 mV
Storage Life	6 months (in RAE container)
Storage Temperature	32 °F to 68 °F (0 °C to 20 °C)
Sensor Life Expectancy	2 years
Warranty	12 months from date of shipment

Physical Characteristics

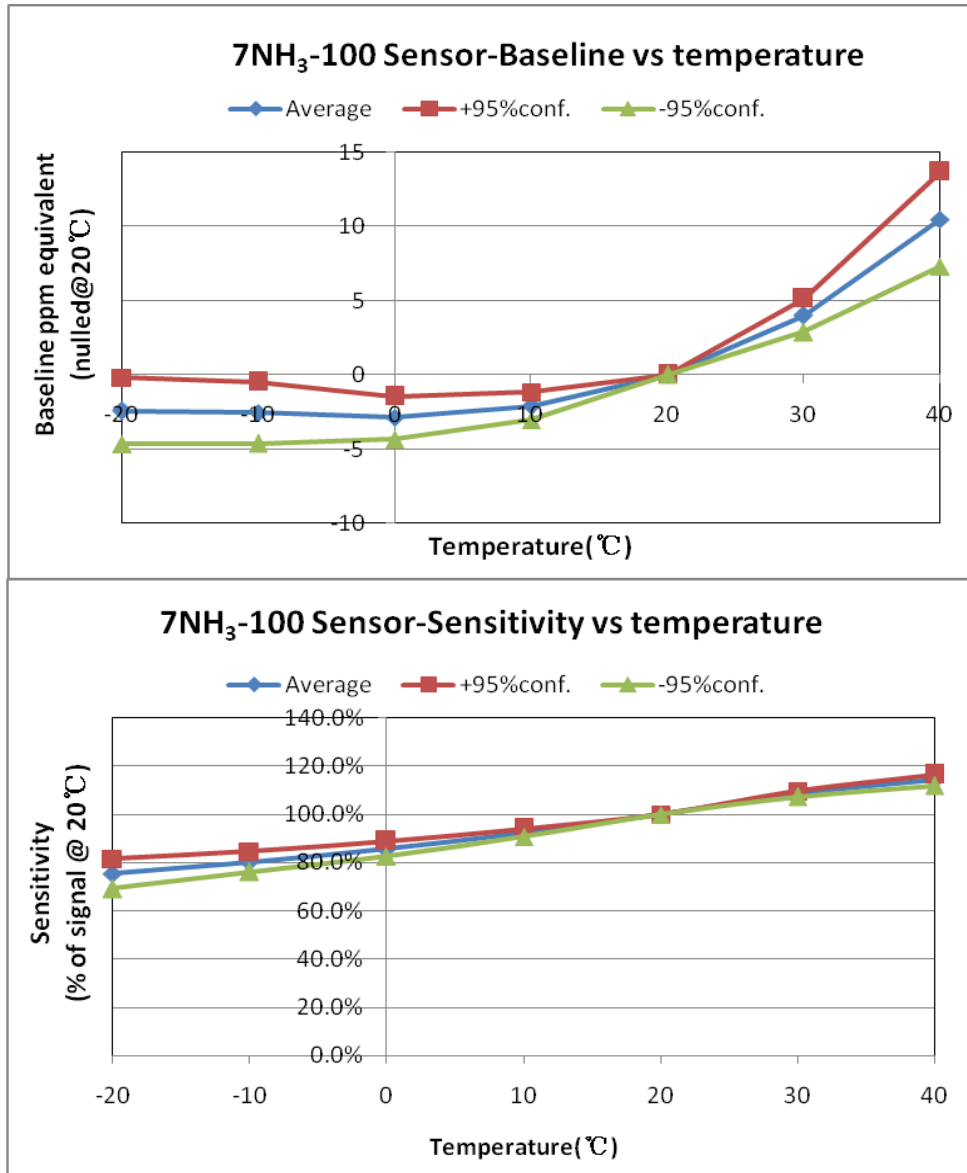
Weight	8 g (approx)
Orientation sensitivity	None

Outline Dimensions



All dimensions in mm
All tolerances ±0.2mm
unless otherwise stated

Temperature Dependence



Cross-sensitivity Data

Gas	Concentration (ppm)	Output signal (ppm NH ₃ equivalent)
CO	100	<3
H ₂ S	20	<50
H ₂	1000	<8
SO ₂	10	<3
NO ₂	10	<3