

Methyl Mercaptan Sensor 0-10 ppm

Performance Characteristics

Part number	CLE-3611-400
Nominal Range	10 ppm
Maximum Overload	20 ppm
Sensitivity	0.70 ± 0.15 µA/ppm
Baseline (20 °C)	< ± 0.4 µA
Baseline Drift (-20 to 50 °C)	0 to 0.6 ppm equivalent
Resolution	0.1 ppm
Response Time (T₉₀)	≤ 40 seconds
Linearity	Linear
Long Term Output Drift	<2% signal/month

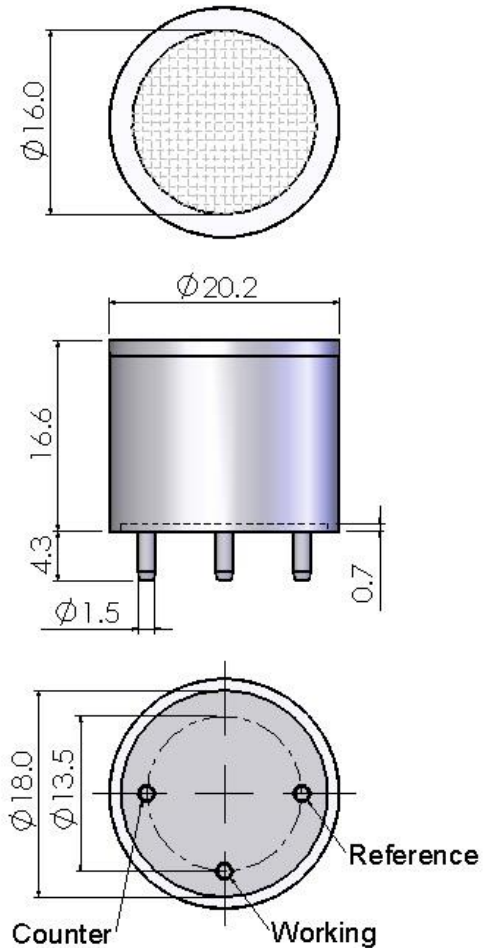
Operation Conditions

Temperature Range	-20°C to 50°C
Operating Humidity	15 ~ 90%RH non-condensing
Pressure Range	Atmospheric ±10%
Bias Potential	0 mV
Storage Life	6 months in RAE container
Storage Temperature	0 °C to 20°C
Expected Operating Life	2 years in air
Warranty	12 months from date of despatch

Physical Characteristics

Weight	5 g (approx)
Orientation Sensitivity	None

Outline Dimensions

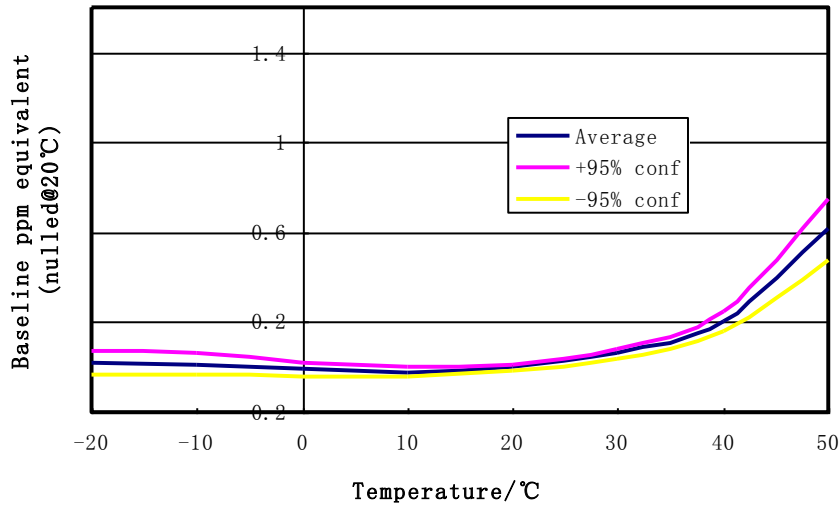


All dimensions are in millimeters.
All tolerances are ±0.2mm.

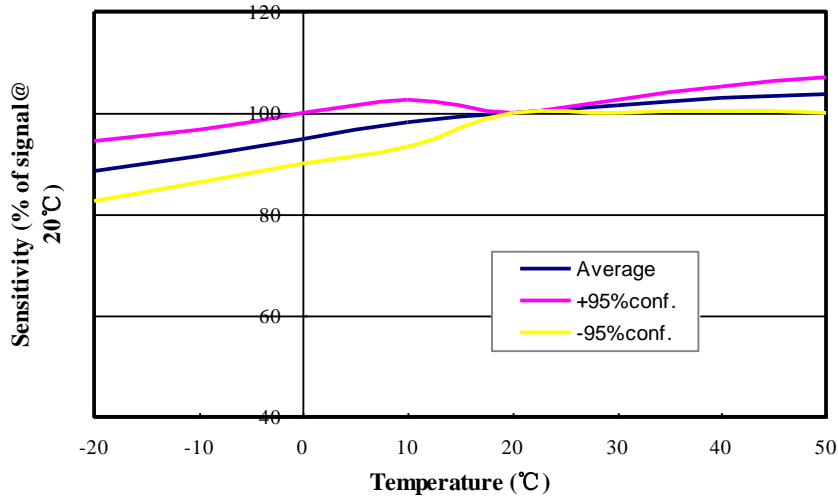
Note: PCB sockets are recommended for the sensor pin connection. Soldering to the sensor should be avoided

Temperature Dependence

Baseline drift of 4R CH₃SH sensor



4CH₃SH Sensitivity vs Temperature



Cross-sensitivity Data

Gas	Concentration (ppm)	Output Signal (ppm CH ₃ SH equivalent)
Carbon Monoxide	100	≤0.2
Hydrogen Sulphide	15	33
Sulphur Dioxide	5	<2.5
Nitric Oxide	35	≤0.5
Nitrogen Dioxide	5	<-3
Hydrogen	20000	≤1

Notes:

1. All performance specifications are based upon the following environment conditions: 20 °C, 50% relative humidity and 1 atmospheric pressure (100 kPa or ambient pressure).
2. Recommend calibration with target gas. If calibration with a cross sensitivity gas, we cannot ensure the accuracy of calibration and measurement.
3. The cross sensitivity may fluctuate between +/- 30% and may differ from batch to batch or from sensor's life time.
4. The cross sensitivities are including but not limited to the above gases. It may also respond to other gases.