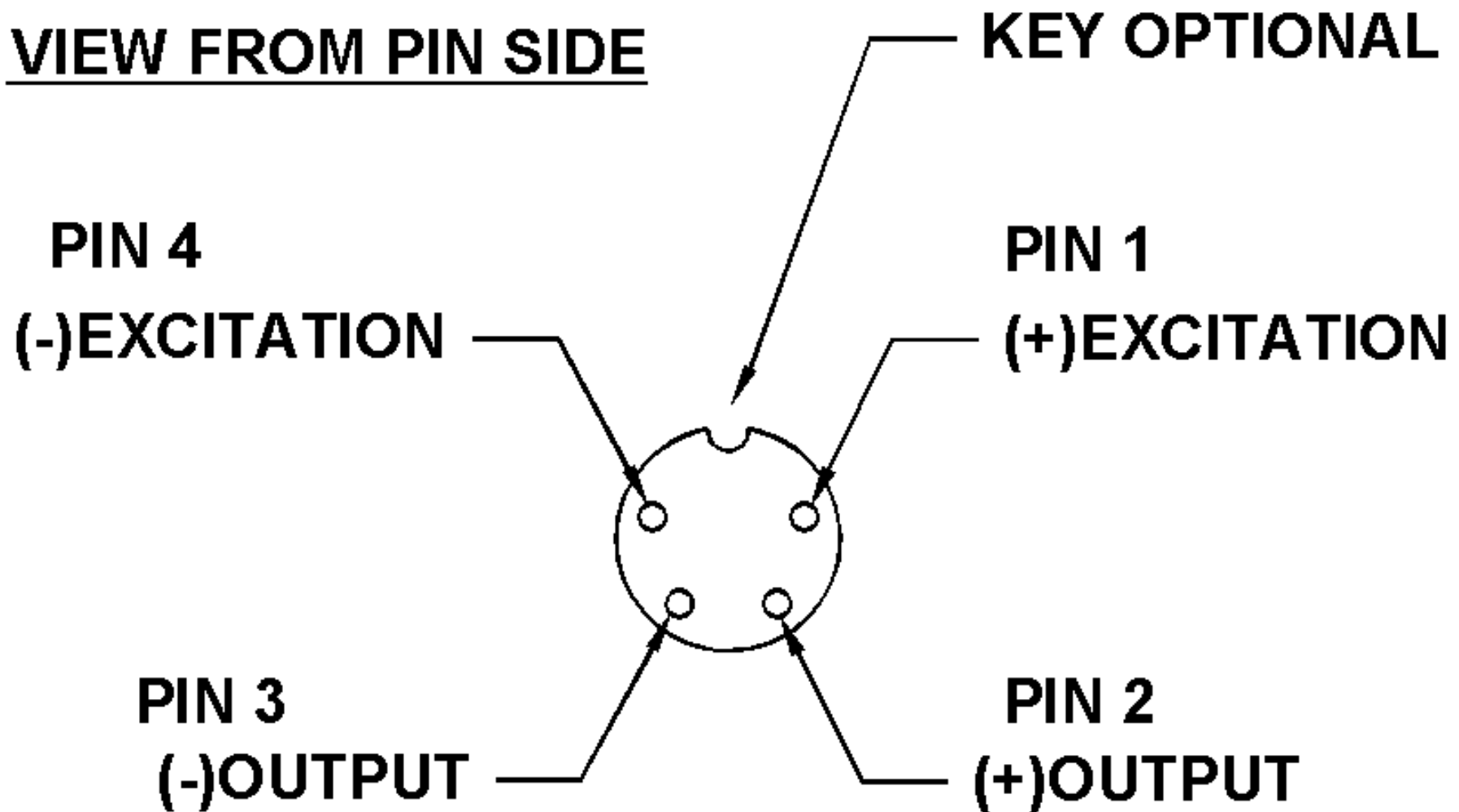


UNAMP#27,4-COND,4-PIN,MICROTEC

VIEW FROM PIN SIDE



001-0333-27

UNAMP#1,4-COND,CBL

| COLOR | DESIGNATION |
|-------|---------------|
| RED | (+)EXCITATION |
| BLACK | (-)EXCITATION |
| GREEN | (-)OUTPUT |
| WHITE | (+)OUTPUT |

001-0333-01