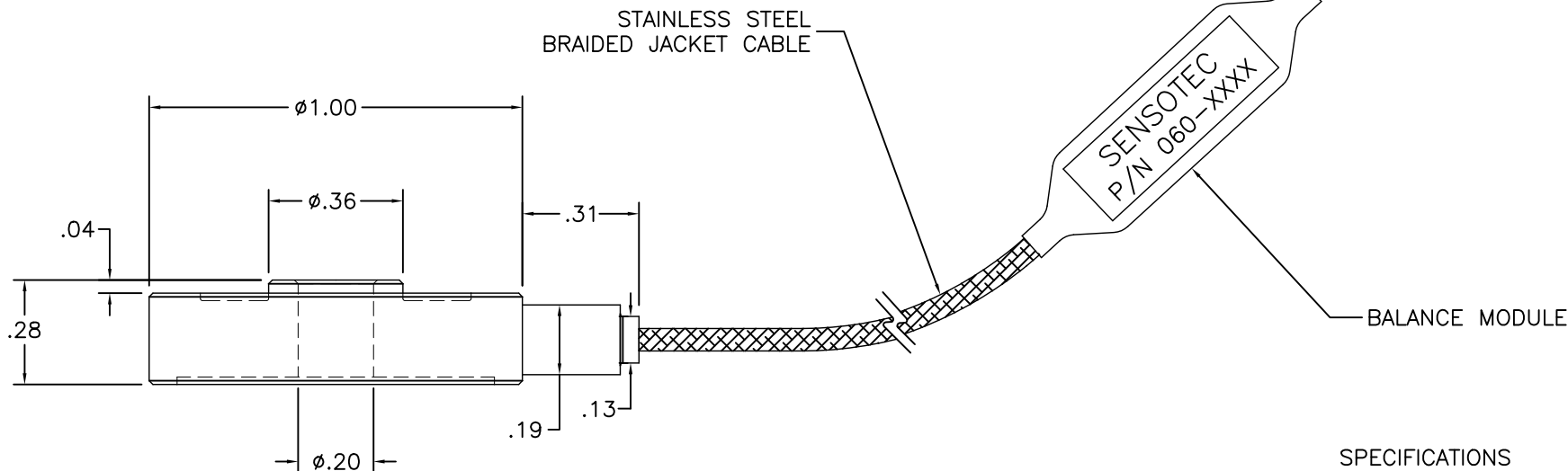


HONEYWELL PART NUMBER
SEE TABLE

REV	DOCUMENT	CHANGED BY	CHECK
A	0043022	JDS 11/03/09	SDG

30 AWG, TEFLON INSULATED
TWISTED LEADS
5 FT TOTAL CABLE LENGTH



SPECIFICATIONS

AVAILABLE RANGES: SEE TABLE
 EXCITATION: 10 VDC
 OUTPUT: 2 mV/V
 NONLINEARITY: ± .5% F.S.
 HYSTERESIS: ± .5% F.S.
 COMPENSATED TEMPERATURE: 60°F TO 160°F
 TEMPERATURE EFFECT: ZERO: .005% F.S./°F
 SPAN: .010% Rdg./°F
 BRIDGE RESISTANCE: 350 ohms
 MATERIAL: 17-4 PH SS

UNAMPLIFIED
 COLOR DESIGNATION
 RED (+) EXCITATION
 BLACK (-) EXCITATION
 GREEN (-) OUTPUT
 WHITE (+) OUTPUT

-13	500 GRAMS
-12	3000 GRAMS
-11	200 N (44.96 LBS)
-10	50 N (11.24 LBS)
-09	20 N (4.49 LBS)
-08	N/A
-07	100 N (22.48 LBS)
-06	10 LBS
-05	5 LBS
-04	500 N (112 LBS)
-03	100 LBS
-02	50 LBS
060-1136-01	25 LBS

SENSOTEC PART NUMBER	AVAILABLE RANGES
-------------------------	---------------------

DESIGN UNITS: INCH
 TOLERANCES UNLESS NOTED:
 NO PLACES X ± -
 ONE PLACE .X ± .1
 TWO PLACE .XX ± .01
 THREE PLACE .XXX ± .005
 ANGLES X ± .5°

THIRD ANGLE PROJECTION

DRAWN	DRS	09/15/1999
CHECK	RAF	09/23/1999
THIS DRAWING COVERS A PROPRIETARY ITEM AND IS THE PROPERTY OF HONEYWELL. THIS DRAWING IS NOT TO BE COPIED OR USED WITHOUT THE PERMISSION OF HONEYWELL.		
INTERPRET PER ASME Y14.5M-1994 OTHER HONEYWELL ENGINEERING STANDARDS MAY APPLY		
AUTOCAD		

Honeywell				
TITLE ODD, MODEL D (FOIL) 1.00" O.D., LOAD CELL				
SIZE	TYPE	CAGE CODE	DRAWING NAME	REV
B	E	51518	000-0908-00	A
SCALE	-		SHEET	1 of 1