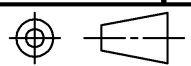
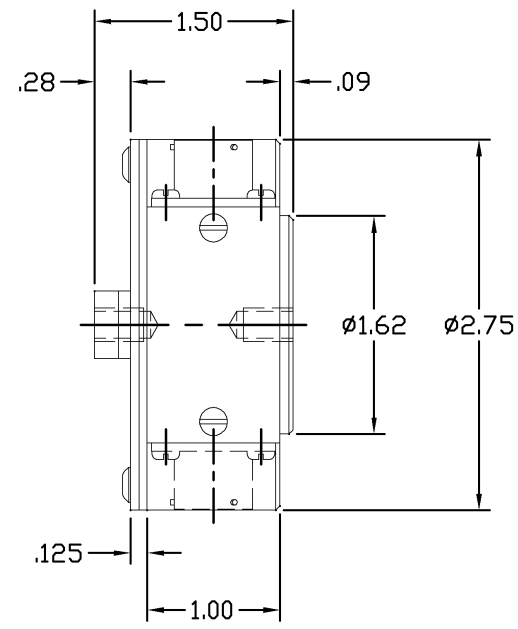
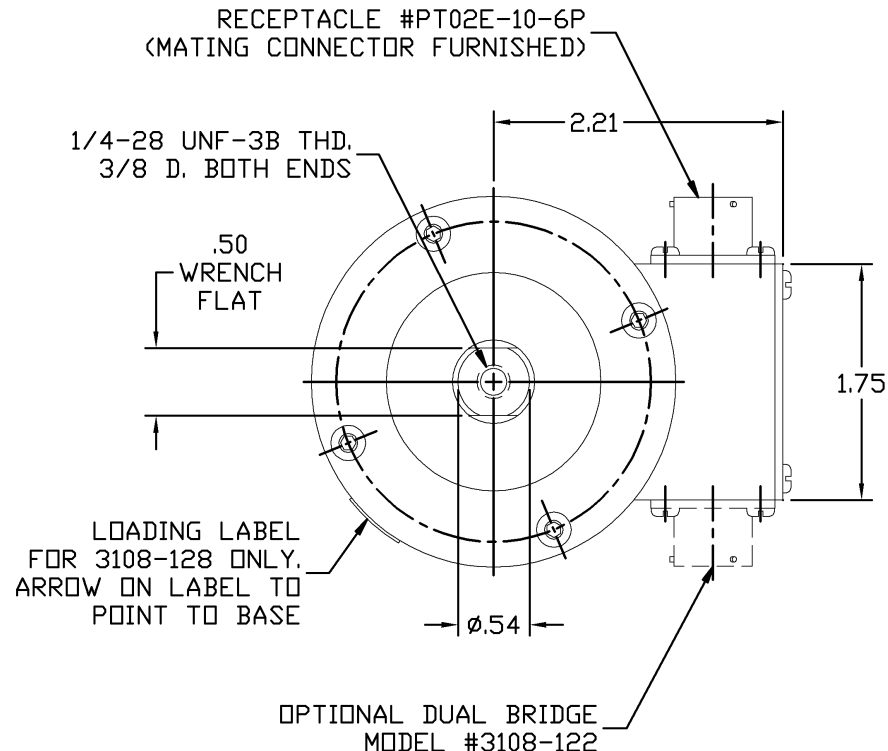


DO NOT SCALE DRAWING	B-3108-D	REV.
ALL CHANGES TO DRAWING MUST BE DONE ON CAD	 THIRD ANGLE PROJECTION	

NOTICE TO PERSONS RECEIVING THIS DRAWING AND/OR TECHNICAL INFORMATION
 Lebow Products claims proprietary rights to the material disclosed herein. This drawing and/or technical information is issued in confidence for engineering information only and may not be reproduced or used to manufacture anything shown or referred to herein without direct written permission from Lebow Products to the user. This drawing and/or technical information is the property of Lebow Products and is loaned for mutual assistance, to be returned when its purpose has been served.



SPECIFICATIONS:
 CAPACITY: $\pm Fz = \pm 5-10\#$
 OUTPUT: $2.0 \pm .25\% Mv/VOLT$
 WESTERN REGIONAL WIRING CODE

DET. NO.	PART NO.	DESCRIPTION	REQ'D.
		Lebow Products Lebow Products Troy, Michigan	
UNLESS OTHERWISE SPECIFIED LINEAR DIMENSIONS ARE IN INCHES REMOVE ALL BURRS & ANGULAR DIMENSIONS ARE IN DEGREES SHARP EDGES DIMENSION LIMITS HELD AFTER PLATING SURFACE FINISH 125 ✓			
TOLERANCES		DR. BY: KISH	CHK'D. BY: ENGR.
DRILLED HOLES - .000 + .007	TWO PLACE DECIMALS $\pm .010$	THREE PLACE DECIMALS $\pm .005$	ANGLES $\pm 0' 30''$
SCALE: NONE	REF. DWG. B-18877	FRACTIONAL DIMENSIONS $\pm 1/64$	MAT'L. -----
DATE: 4/25/77	APPV'D. M.J. CHG'D.	ECN NO.	MODEL: 3108
TITLE: O.D. LOAD CELL			DRAWING NO. B-3108-D
REVISIONS	REDAWN ON CAD	DESCRIPTION	REV.