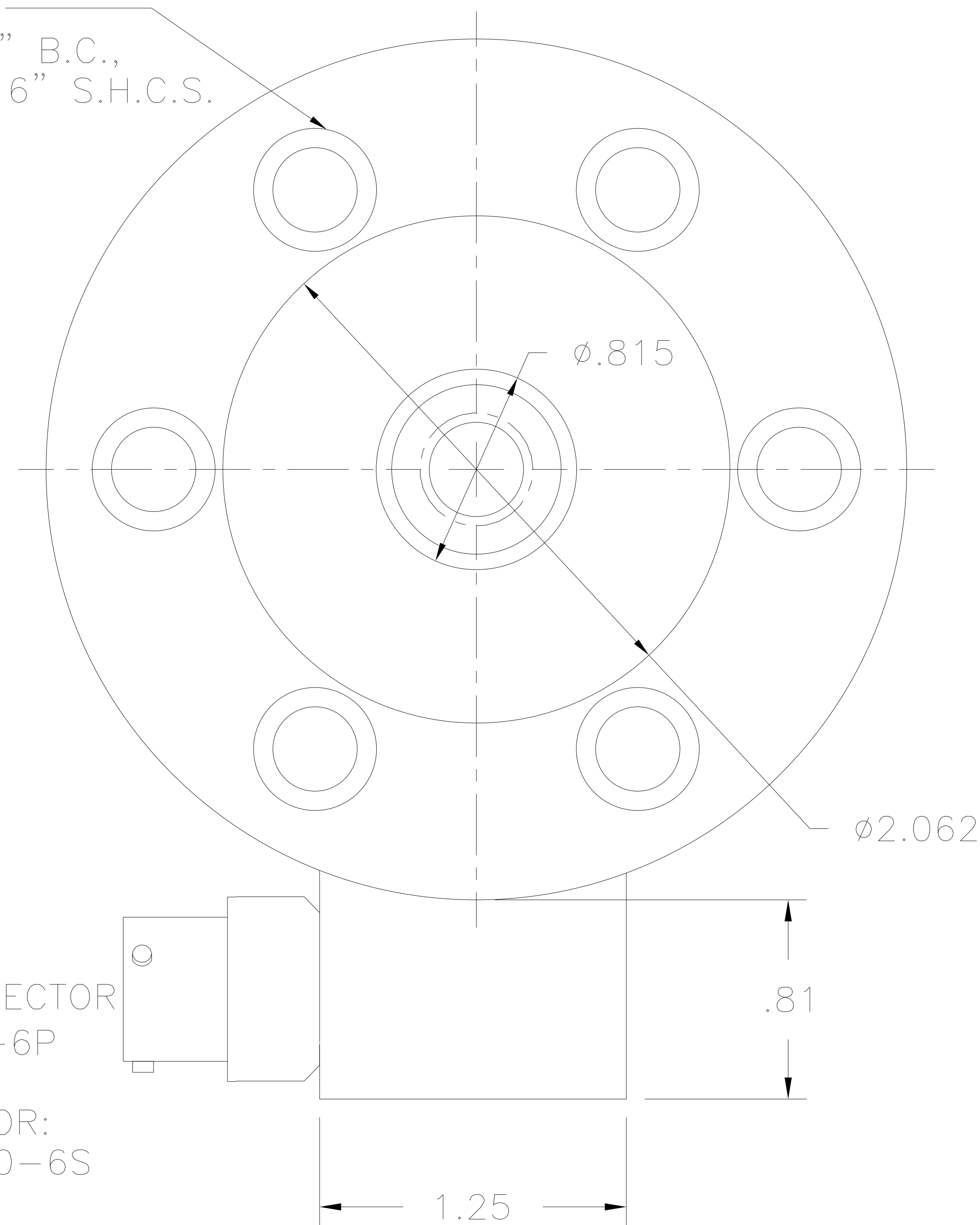
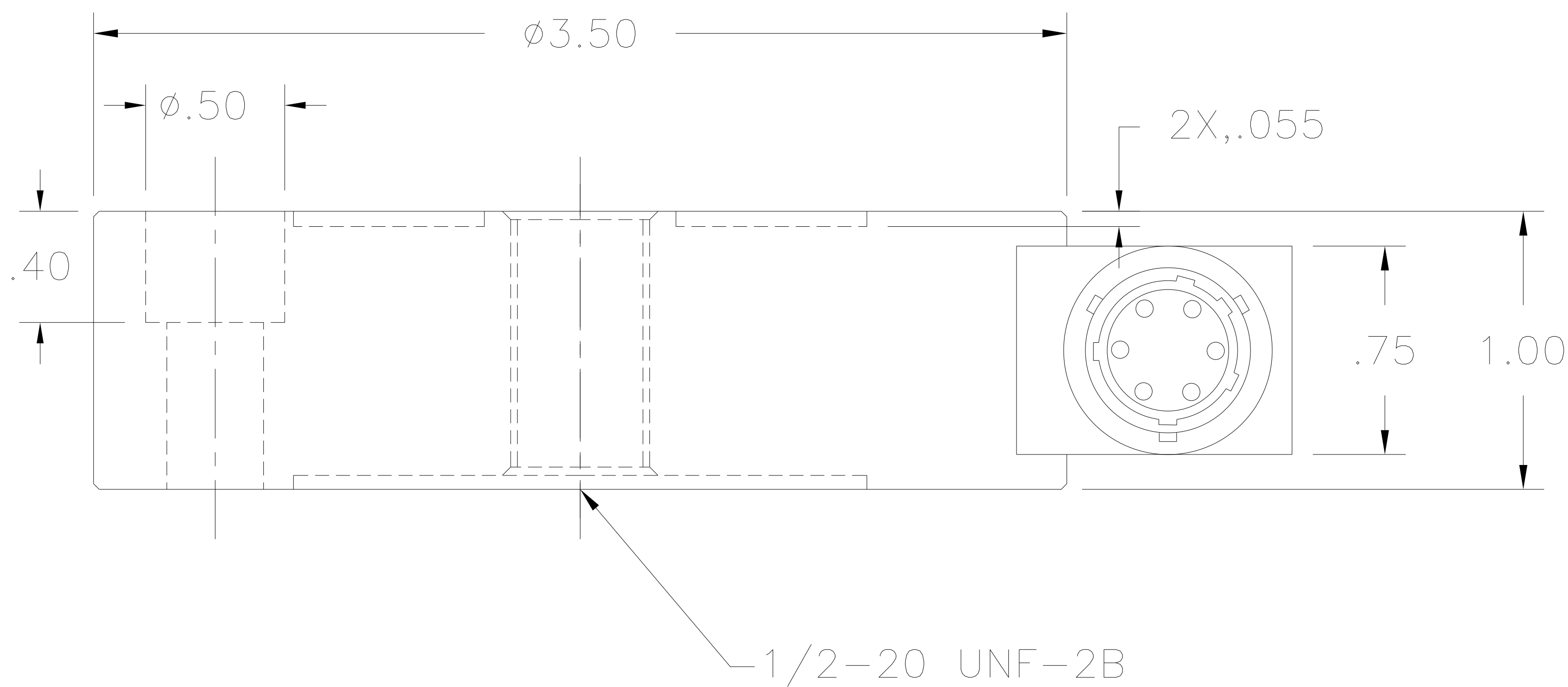


6 HOLES, EQUALLY SPACED ON $\phi 2.625$ " B.C., CLEARANCE for $5/16$ " S.H.C.S.



ELECTRICAL CONNECTOR
BENDIX PTIH-10-6P
OR EQUIVALENT
MATING CONNECTOR:
BENDIX PTO6A-10-6S
(NOT INCLUDED)

AVAILABLE CAPACITY: 2,000 THRU 5,000 LBS.
OUTPUT: 3 mv/v NOMINAL

POSITIVE IN TENSION

ZERO BAL: $\pm 1\%$ F.S.

LINEARITY: 0.1% F.S.

HYSTERESIS: 0.08% F.S.

SPAN T.C.: .002% Rdg./ $^{\circ}$ F

ZERO T.C.: .002% F.S./ $^{\circ}$ F

BRIDGE RESISTANCE: 350 Ω

EXCITATION: 10 VDC

MATERIAL: 17-4 P.H.

STAINLESS STEEL

UNAMPLIFIED

PIN	DESIGNATION
A	(+)EXCITATION
B	(+)EXCITATION
C	(-)EXCITATION
D	(-)EXCITATION
E	(-)OUTPUT
F	(+)OUTPUT

UNLESS OTHERWISE SPECIFIED:
ALL FILLETS & CORNERS .005 R MAX
ALL DIMENSIONS IN INCHES
INTERPRET PER ANSI Y14.5M-1982 &
SENSOTEC STD 080-0073-00
DEBURR & BREAK SHARP CORNERS

REV ECN	SCALE: NONE
USED ON	.X ± 1
MATERIAL SPECIFICATION ϕ XXXX 17-4 PH SS CONDITION A HEAT TREAT H-900	.XX $\pm .01$.XXX $\pm .005$ ∇ $\pm 1/2'$
045-XXXX-XX	

A	REV. PER ECN	JPF 11-02-98	-
REV	DESCRIPTION	REVISED BY	APPROVED BY
DRW: 20MAR78	CHK: 12/27/94	JP MFG:	ENG: RJG 12/27/94

SENSOTEC INC.
2080 ARLINGATE LANE, COLUMBUS, OHIO 43228
© SENSOTEC, INC. ALL RIGHTS RESERVED

OUTLINE DRAWING for P/N 060-0572-XX MODEL 41 LOAD CELL	
63	DOCUMENT NUMBER 000-0472-00
SHEET 1 OF 1	