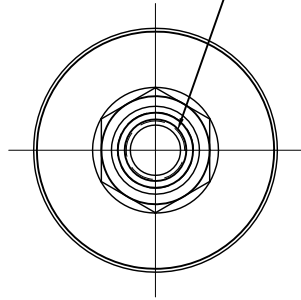
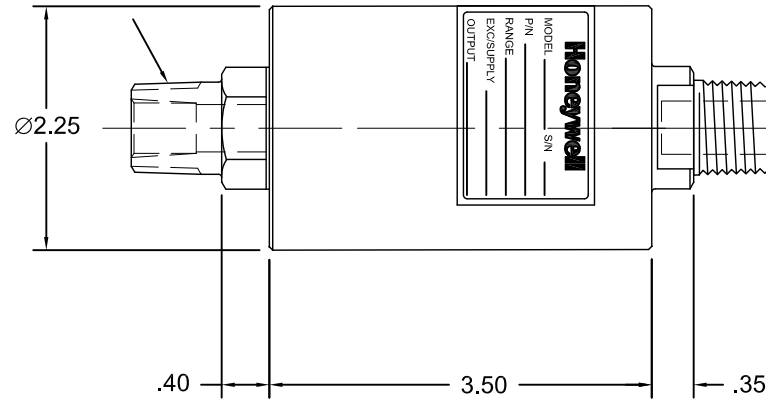


1/2-14 NPT MALE

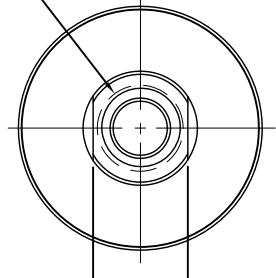
1/4-18 NPT FEMALE



3 COND., BELDEN
#9364, 20 GAGE VINYL
INSULATED CABLE,
2 FT. LONG



1/2-14 NPT



.87
WRENCH FLATS

FACTORY MUTUAL
CONTROLLED DWG.
NO CHANGES
WITHOUT AUTHORIZATION

ANY CHANGES TO THIS DRAWING REQUIRES
NOTIFICATION OF FACTORY MUTUAL

SPECIFICATIONS

RANGE 0-21 PSIG THRU 0-500 PSIG
 ACCURACY ±.25% F.S
 COMPENSATED 60°F TO 160°F
 OPERATING 0°F TO 195°F
 GAIN SENSITIVITY 0.01%F.S./°F
 BALANCE SHIFT 0.01%F.S./°F
 CASE MAT'L 17-4 PH SS
 INPUT: MINIMUM POWER SUPPLY= 9.0V+0.021*RLOAD (ohm)
 MAXIMUM POWER SUPPLY= 32V+0.004*RLOAD (ohm)
 NOTE: RLOAD IS EXTERNAL LOAD RESISTANCE
 OUTPUT: 4 TO 20 mA

WIRING CODE

COLOR	DESIGNATION
RED	(+) SUPPLY
BLACK	(+) OUTPUT
WHITE	CASE GROUND

IF THIS IS A PAPER COPY IT IS UNCONTROLLED. VERIFY REVISION BEFORE USE.

PROPRIETARY RIGHTS NOTICE: THIS DRAWING COVERS A PROPRIETARY ITEM AND IS THE PROPERTY OF HONEYWELL. THIS DRAWING IS NOT TO BE COPIED OR USED WITHOUT THE PERMISSION OF HONEYWELL.					
UNLESS OTHERWISE SPECIFIED: ALL DIMENSIONS IN INCHES. INTERPRET PER ASME Y14.100-2000 OTHER HONEYWELL STDS MAY APPLY. ALL FILLETS & CORNERS .005R MAX DEBURR & BREAK SHARP CORNERS		D 01/05/2010 ECR 0043739, Updated input specifications	Arrigo		
		C 01/14/2008 ECN #06-009, Updated to meet new amplifier specs	Morris		BDR
REV AUTOCAD		DESCRIPTION DRW: DLE 09/24/1980		REV BY CHK BY MFG: - ENG: BDR 04/13/1999	APV BY
REV B HIST 506	DO NOT SCALE .X ±.2 .XX ±.02 .XXX ±.010	Honeywell		HONEYWELL SENSOTEC 2080 ARLINGATE LANE COLUMBUS, OHIO 43228 www.honeywell.com/sensing	
		MODEL 811 TRUE GAGE PRESSURE TRANSDUCER			
		CODE IDENT NO. 51518		DOCUMENT NUMBER 000-1125-00	
		SHEET 1 OF 1 SIZE A			