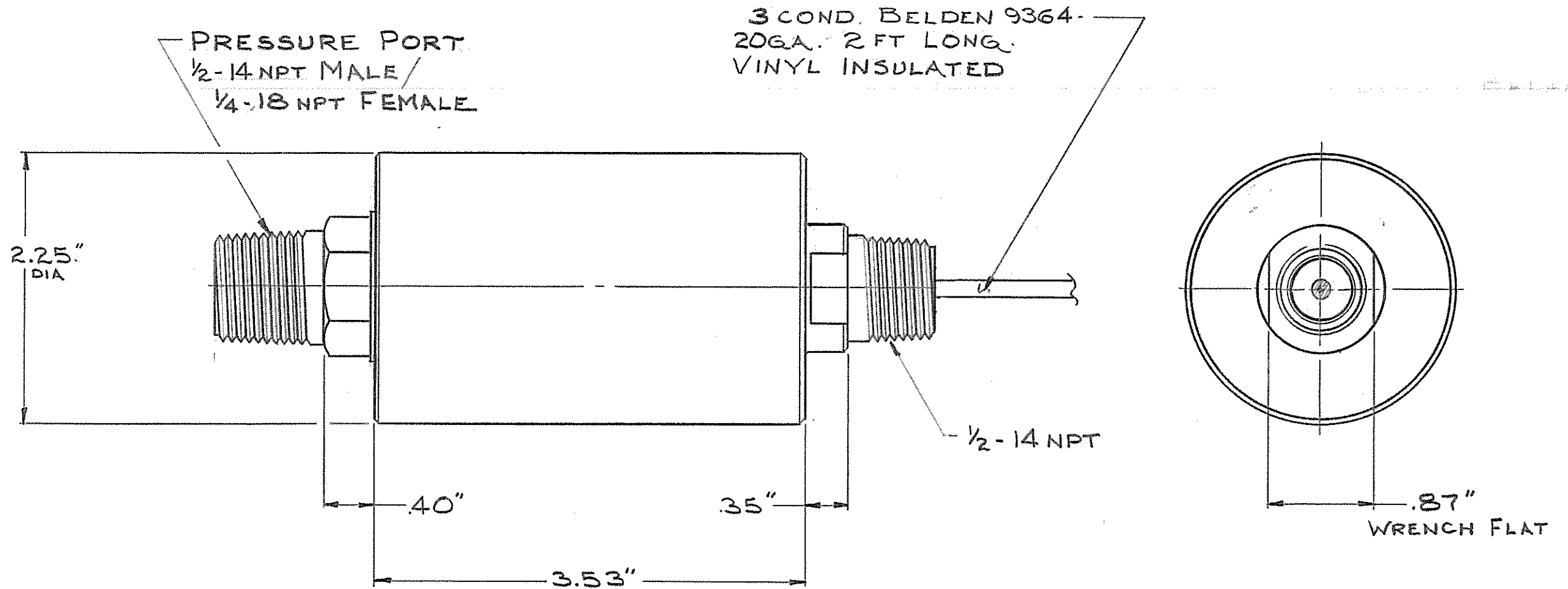


WIRING CODE

RED + POWER
 BLACK - POWER
 WHITE CASE GND



SPECIFICATIONS

ACCURACY: $\pm 0.25\%$ FS.
 COMPENSATED: 60°F TO 160°F
 OPERATING: 0°F TO 195°F
 GAIN SENSITIVITY: 0.01%/°F
 BALANCE SHIFT: 0.01%/°F
 CASE MATERIAL: 17-4 PH STAINLESS
 OUTPUT: 0 PSI = 4 MA
 FS PSI = 20 MA
 INPUT: 15 TO 80 VOLTS DC DEPENDING
 ON LOAD (12V OPTIONAL)

P/N 1534 HAS BEEN APPROVED
 BY FACTORY MUTUAL SYSTEMS.

ANY CHANGES TO THIS DWG.
 REQUIRES NOTIFICATION OF
 FACTORY MUTUAL.

DOCUMENT NUMBER
 000-
 1126-00-3

USED ON	
MATERIAL SPEC.	.x .xx .xxx x

B	REV. PER ECN# 506	12-21-82 MAW
A	REV. PER ECN# 282	4-20-82 RLR
REV.	DESCRIPTION	APPROV RELEAS.
SCALE	DRAWN DLE	CHECKED BDR
1:1	9-24-80	4/26/84
SENSOTEC INC.		
1200 CHESAPEAKE AVE COLUMBUS, OHIO 43212		
MODEL 811 LOW CAP. 0-2 PSI THRU 0-10 PSI P/N 1534		
FINISH	✓	DOCUMENT NUMBER
SHEET	OF	000- 1126-00-3