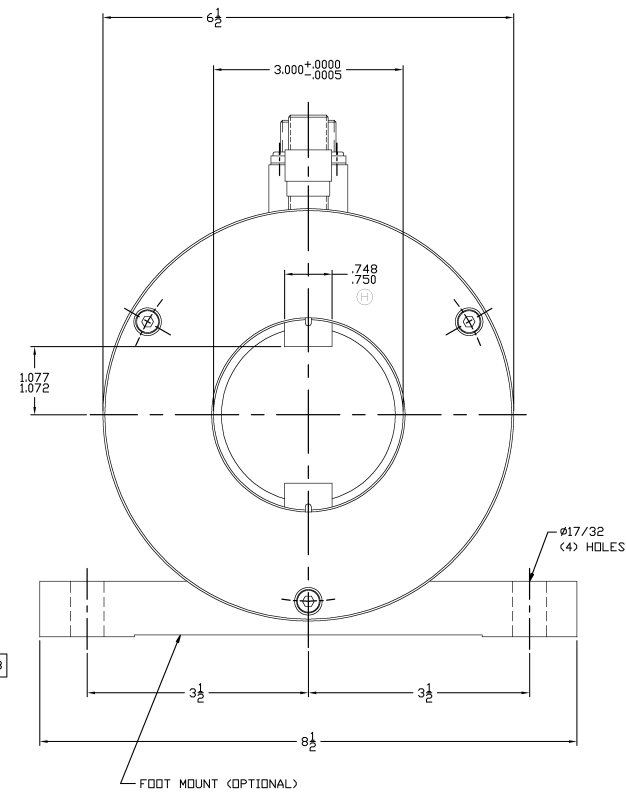
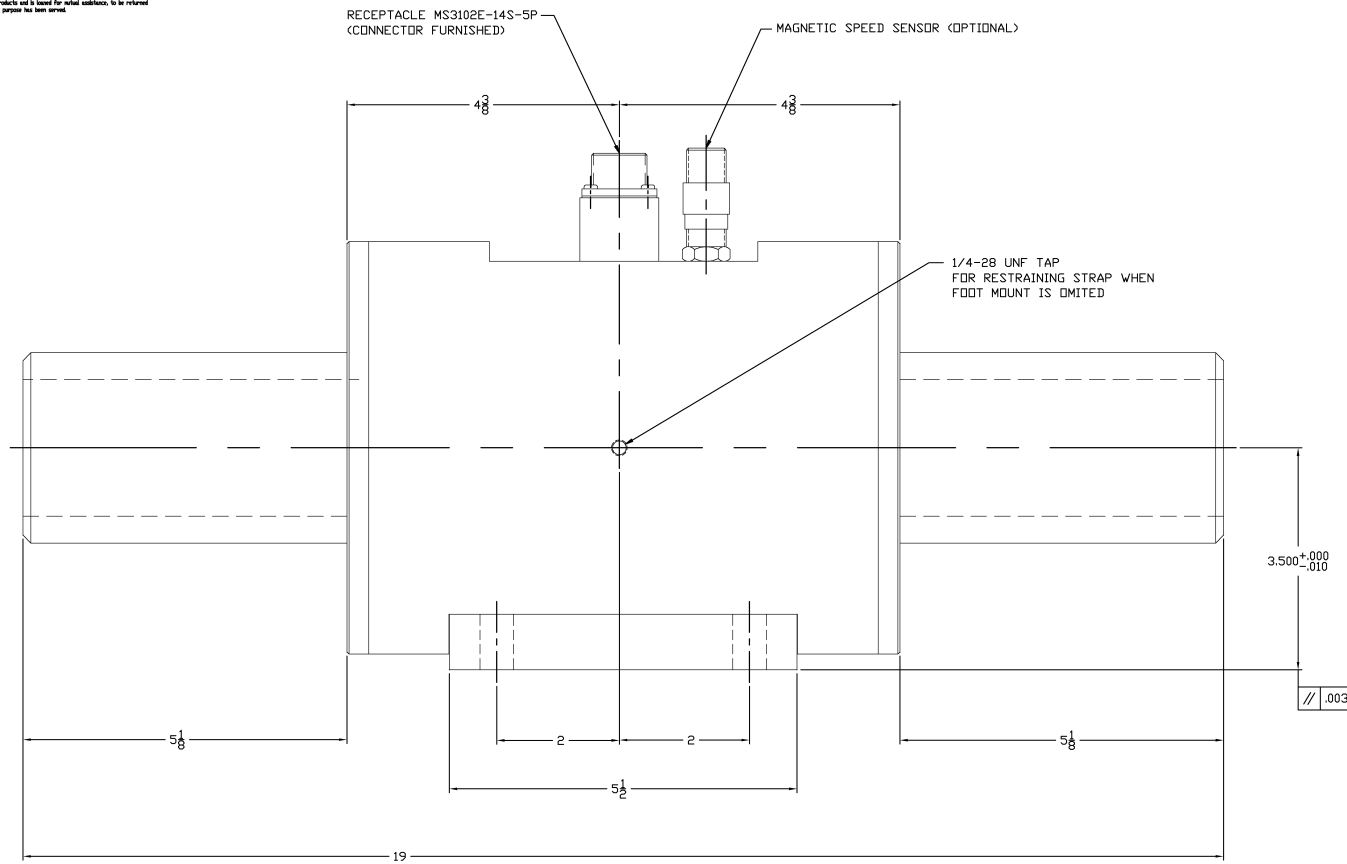


NOTICE TO PERSONS RECEIVING THIS DRAWING AND/OR TECHNICAL INFORMATION: Lebow Products claims proprietary rights in the enclosed document herein. This drawing and/or technical information is based on confidential engineering information and may not be reproduced or used in manufacture without express or implied written permission from Lebow Products to the user. The drawing and/or technical information is the property of Lebow Products and is loaned for actual use only to be returned when the purpose has been served.

DO NOT SCALE DRAWING  
ALL CHANGES TO DRAWING MUST BE DONE ON CAD  
D-1607-D  
REV. 1  
THIRD ANGLE PROJECTION



1607-124-100K	100,000 IN-LB	150%
1609-30K	30,000 IN-LB	300%
1607-100K	100,000 IN-LB	200%
1607-50K	50,000 IN-LB	300%
1607-20K	20,000 IN-LB	300%
MODEL	CAPACITY	MAX OVERLOAD CAPACITY

REV.	DATE	DESCRIPTION	PART NO.	DESCRIPTION	REV.
1				Lebow Products Troy, Michigan	
UNLESS OTHERWISE SPECIFIED LINEAR DIMENSIONS ARE IN INCHES REMOVE ALL BURRS & SHARP EDGES ANGULAR DIMENSIONS ARE IN DEGREES SHARP EDGES SURFACE FINISH IS 125 ✓ DIMENSION LIMITS HELD AFTER PLATING					
TOLERANCES					
DR	DATE	APPR'D	REV. ENG.	REV. DATE	DRG. BY
CF	JUN 07	JUN 07	JUN 07	2/9/72	FZ
J					
TITLE: INSTALLATION				DRAWING NO. D-1607-D	REV.
ROTARY TRANSFORMER TORQUE SENSOR					