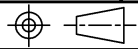
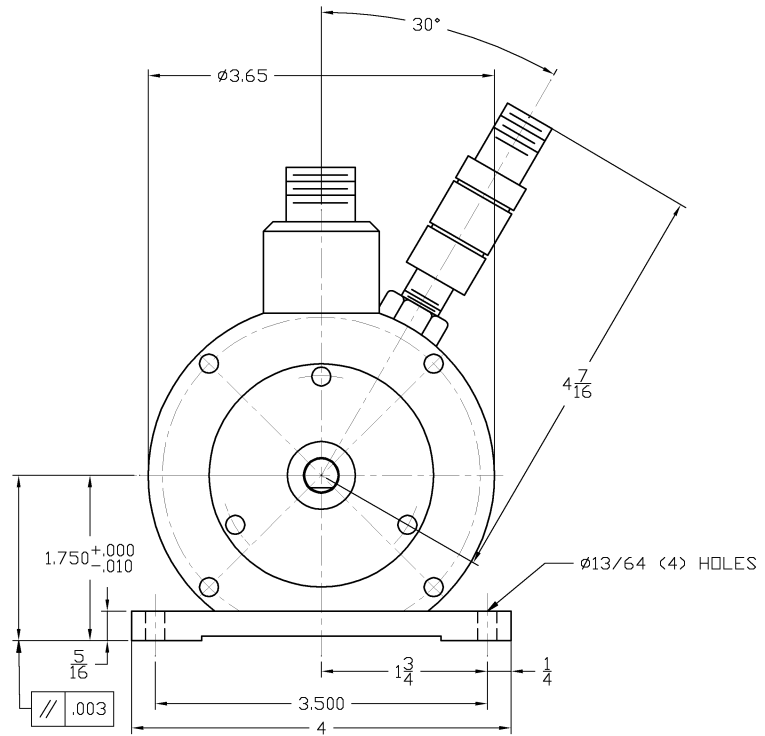
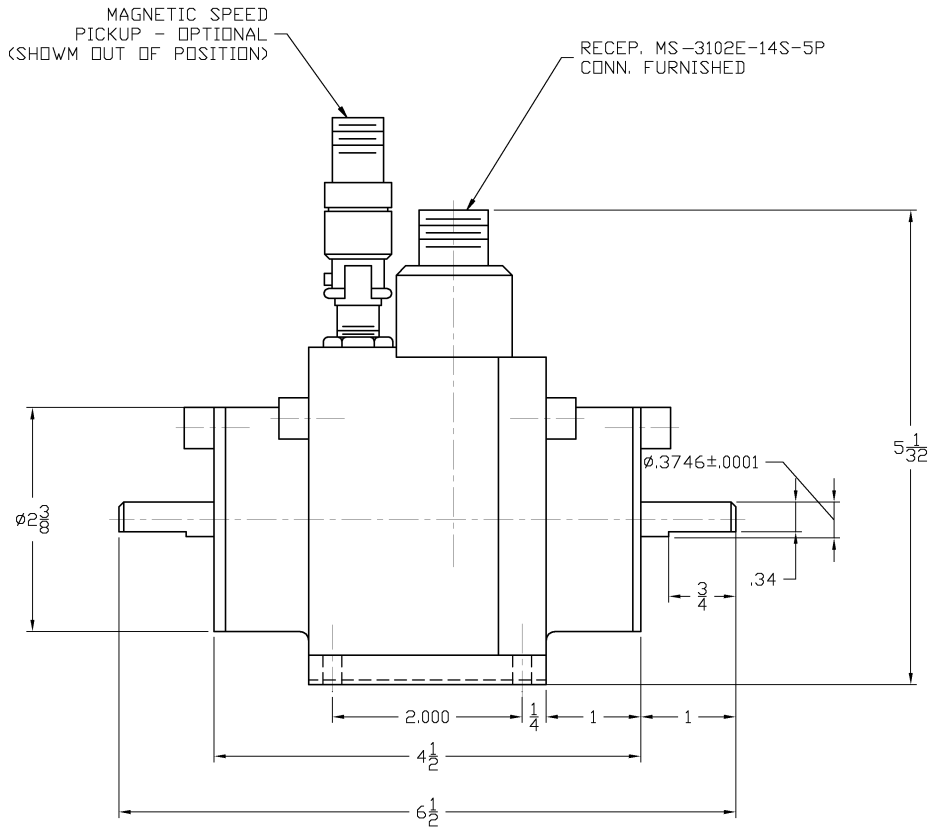


"NOTICE TO PERSONS RECEIVING THIS DRAWING AND/OR TECHNICAL INFORMATION"
 Lebow Products claims proprietary rights to the material disclosed herein. This drawing and/or technical information is issued in confidence for engineering information only and may not be reproduced or used to manufacture anything shown or referred to herein without direct written permission from Lebow Products to the user. This drawing and/or technical information is the property of Lebow Products and is loaned for actual assistance, to be returned when its purpose has been served.

DO NOT SCALE DRAWING	C-1602-D	REV.
ALL CHANGES TO DRAWING MUST BE DONE ON CAD	 THIRD ANGLE PROJECTION	



DET. NO.	PART NO.	DESCRIPTION	REV'D.
		Lebow Products Lebow Products Troy, Michigan	
UNLESS OTHERWISE SPECIFIED LINEAR DIMENSIONS ARE IN INCHES REMOVE ALL BURRS & ANGULAR DIMENSIONS ARE IN DEGREES SHARP EDGES DIMENSION LIMITS HELD AFTER PLATING SURFACE FINISH 125 ✓			
TOLERANCES			DR. BY: SALLY
DRILLED HOLES - .000 + .007	TWO PLACE DECIMALS ± .005	THREE PLACE DECIMALS ± .002	ENGR.
SCALE: FULL	REF. DWG: C-21145	FRACTIONAL DIMENSIONS ± 1/64	DATE: 12/04/03
TITLE: INSTALLATION~ ROTARY TRANSFORMER TORQUE SENSOR		MATL: ~	DATE: ~
H REDRAW ON CAD		DATE: 12/04/03	MODEL: 1602
SYM. REVISIONS		DATE:	DRAWING NO. C-1602-D