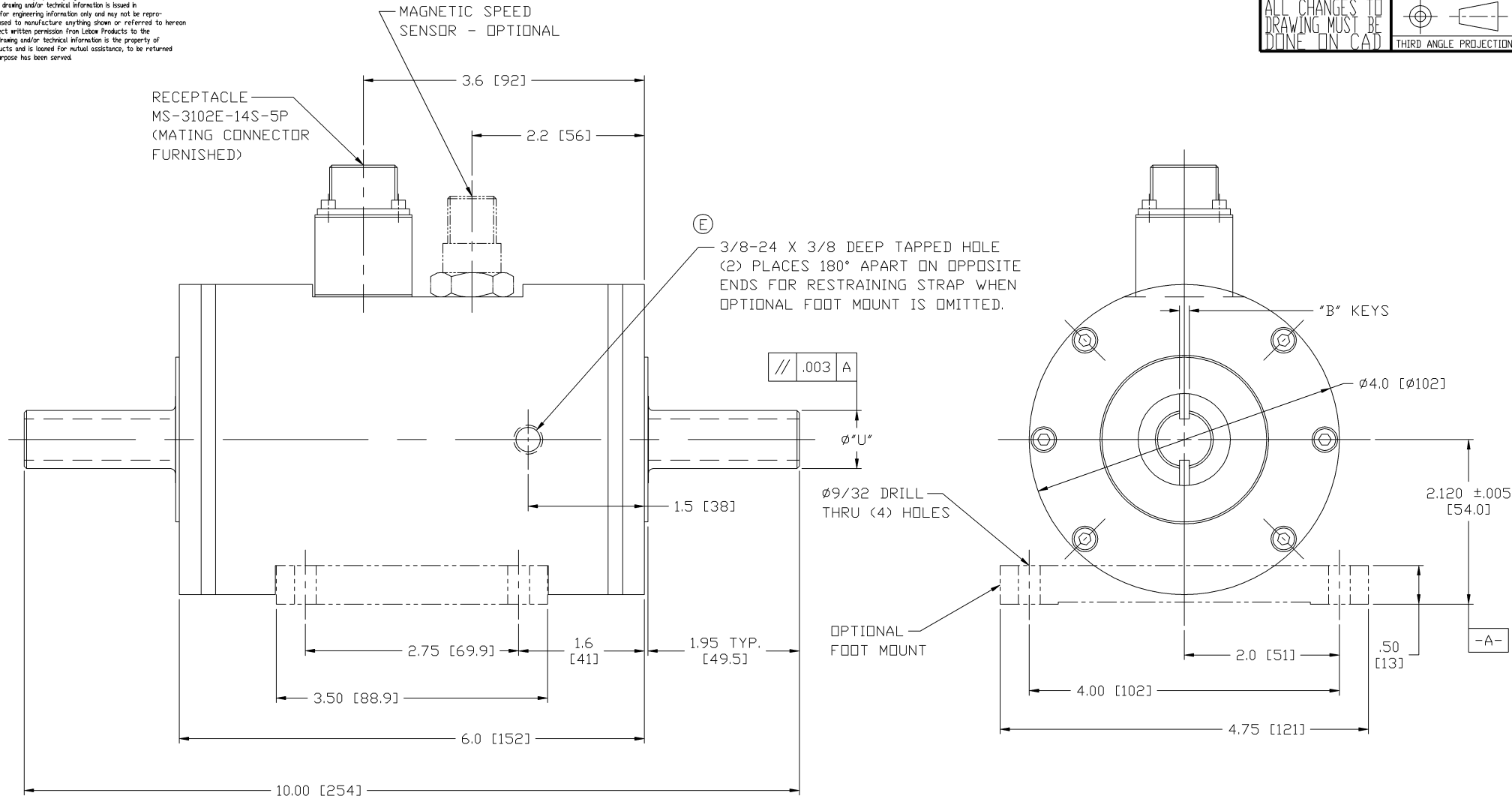


"NOTICE TO PERSONS RECEIVING THIS DRAWING AND/OR TECHNICAL INFORMATION"  
 Lebow Products claims proprietary rights to the material disclosed herein. This drawing and/or technical information is issued in confidence for engineering information only and may not be reproduced or used to manufacture anything shown or referred to herein without direct written permission from Lebow Products to the user. This drawing and/or technical information is the property of Lebow Products and is loaned for mutual assistance, to be returned when its purpose has been served.

DO NOT SCALE DRAWING	C-1804-D	REV.
ALL CHANGES TO DRAWING MUST BE DEFINED ON CAD	THIRD ANGLE PROJECTION	



OVERLOAD CAPACITY --- 300% AT 50, 100, 200, 500 AND 1K  
 150% AT 2K LB. IN.

OUTPUT ----- 2.0 mV/VOLT NOMINAL

SPEED ----- 27,000 R.P.M.

Ⓔ FOR ADDITIONAL SPECIFICATIONS SEE  
 EATON/LEBOW SPEC. SHEET S-1800

NOTES:  
 1.) ALL DIMENSIONS IN BRACKETS ARE MILLIMETERS.  
 2.) DYNAMICALLY BALANCE WITHIN .02 IN. OZ. UPON REQUEST ONLY.

2K (225), 1K (113), 500 (55)	∅1.000 (25.4)	.250 SQ. (6.35)
200 (23), 100 (11)	∅.750 (19.05)	.188 SQ. (4.77)
CAPACITY AVAILABLE IN LBS. (NEWTON METERS)	∅"U" BOTH ENDS	"B" KEYWAY TYP.

DET. NO.	PART NO.	DESCRIPTION	REV'D.
		<b>Lebow Products</b> Lebow Products Troy, Michigan	
UNLESS OTHERWISE SPECIFIED LINEAR DIMENSIONS ARE IN INCHES REMOVE ALL BURRS & SHARP EDGES ANGULAR DIMENSIONS ARE IN DEGREES SURFACE FINISH 125 ✓ DIMENSION LIMITS HELD AFTER PLATING			
TOLERANCES		DR. BY	CHK'D. BY
DRILLED HOLES + .000 -.007	TWO PLACE DECIMALS ± .00	JR	SM
SCALE: NONE	REF. DWG. D-30935	DATE: 12/12/85	DATE: 12/17/75
THREE PLACE DECIMALS ± .005		ENGR. PM	DATE: 12/85
ANGLES ± 0' 30"		MODEL: 1804	
FRACTIONAL DIMENSIONS ± 1/64		TITLE: INSTALLATION ~ ROTARY TRANSFORMER TORQUE SENSOR	REV.
MATERIAL: -		DRAWING NO. C-1804-D	

DATE	DESCRIPTION	BY	APPV'D.
12/12/85	ADDED SPEC. NOTE	JR	CHG'D.
12/17/75		JR	CHG'D.
12/85		JR	CHG'D.

REVISIONS

40544013	ECN NO.
E D	SYM.