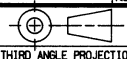
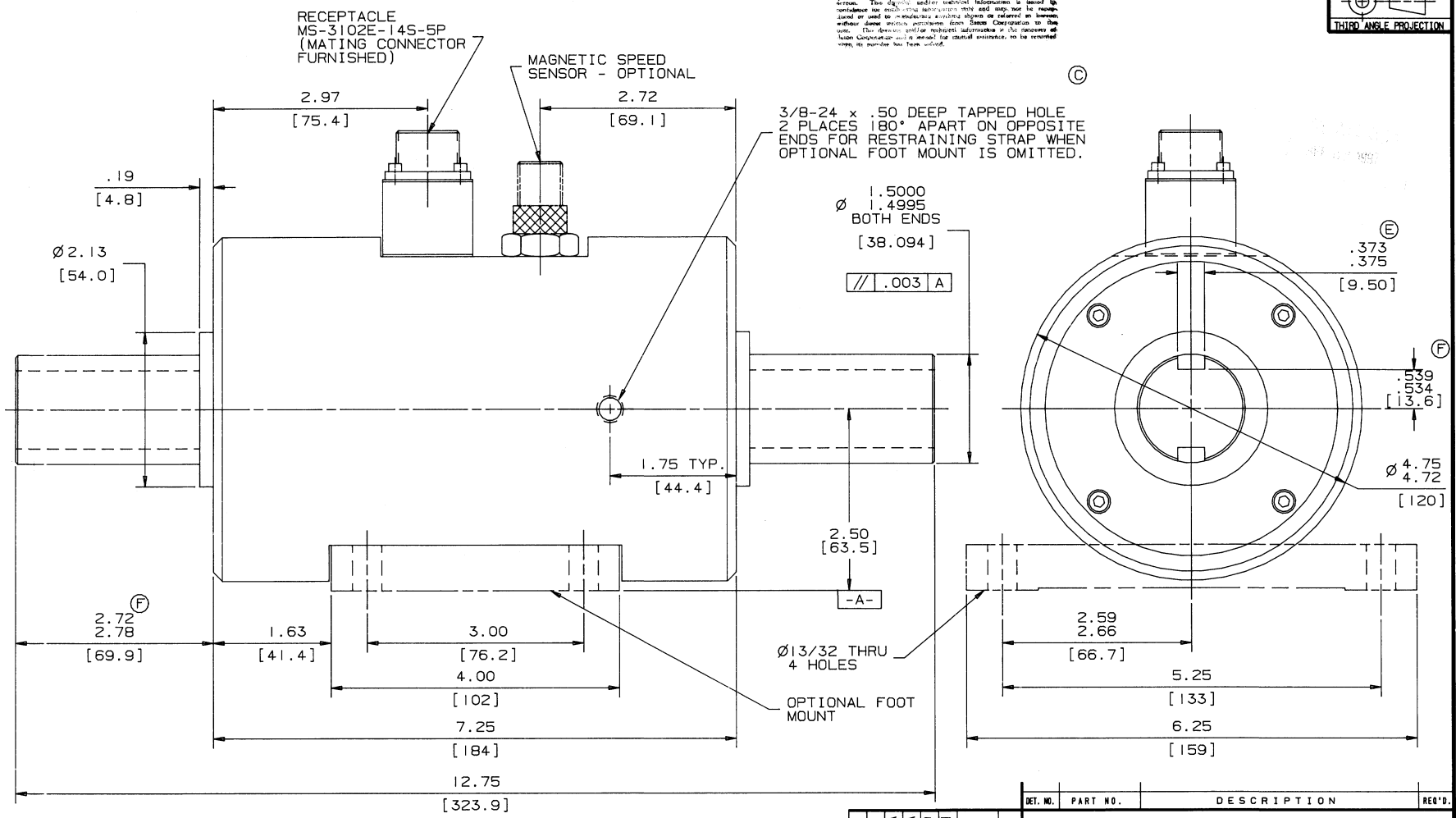


"NOTICE TO PERSONS RECEIVING THIS DRAWING AND/OR TECHNICAL INFORMATION"

Eaton Corporation retains all rights in the material described herein. This drawing and/or technical information is issued to facilitate the construction, installation, use and repair of the equipment or used in maintenance activities or related activities without derogating performance from Eaton Corporation to the user. The drawing and/or technical information or the services of Eaton Corporation will result in the physical existence of the item, in accordance with the drawing.


C-1805-D REV. 1  
  
 THIRD ANGLE PROJECTION



CAPACITY-----2K, 5K, 10K IN-LBS  
 OVERLOAD CAPACITY---300% AT 2K & 5K IN-LBS & 200% AT 10K IN-LBS  
 OUTPUT-----2.0 mV/VOLT NOMINAL  
 SPEED-----22,000 R.P.M. KLUBER GREASE PACK BEARINGS (B)  
 FOR ADDITIONAL SPECIFICATIONS SEE EATON/LEBOW SPEC. SHEET S-1800

NOTES  
 1 ALL DIMENSIONS IN BRACKETS ARE IN MILLIMETERS AND ARE PURELY MATHEMATICAL CALCULATIONS FROM STANDARD ENGLISH DIMENSIONS. (A)  
 2 DYNAMICALLY BALANCE WITHIN .02 IN. OZ. UPON REQUEST ONLY.

REV.	DESCRIPTION	DATE
5	REVISED DWG	
4	CORRECTED SPEC. NO.	
3	WAS STANDARD	
2	WAS MODEL 1805-POL	
1	3/51/85 WAS 3/51/85	
	5/29 WAS 5/27, 6/9 WAS 7/1	
	JR/JR/JR/JR/SM	
	ECN NO.	
	SYM.	

DET. NO.	PART NO.	DESCRIPTION	REQ'D.
		 Eaton Corporation Lebow Products Physical Measurement Products Troy, Michigan	
UNLESS OTHERWISE SPECIFIED LINEAR DIMENSIONS ARE IN INCHES REMOVE ALL BURRS & ANGULAR DIMENSIONS ARE IN DEGREES SHARP EDGES DIMENSION LIMITS HELD AFTER PLATING SURFACE FINISH 125V			
TOLERANCES			
DRILLED HOLES + .000 -.007	TWO PLACE DECIMALS + .010	THREE PLACE DECIMALS + .005	ANGLES ± 30°
SCALE: 1 : 1	REF. DWG. D-31216	JOB NO. R11-0021	MAT'L.
DATE 1-30-85			DR. BY JR
DATE 6-7-85			CHK'D. BY S.M.
DATE 6-7-85			ENGR. P.M.
MODEL 1805			
TITLE OUTER DIMENSION ROTARY TRANSFORMER TORQUE SENSOR			DRAWING NO. C-1805-D
			REV.