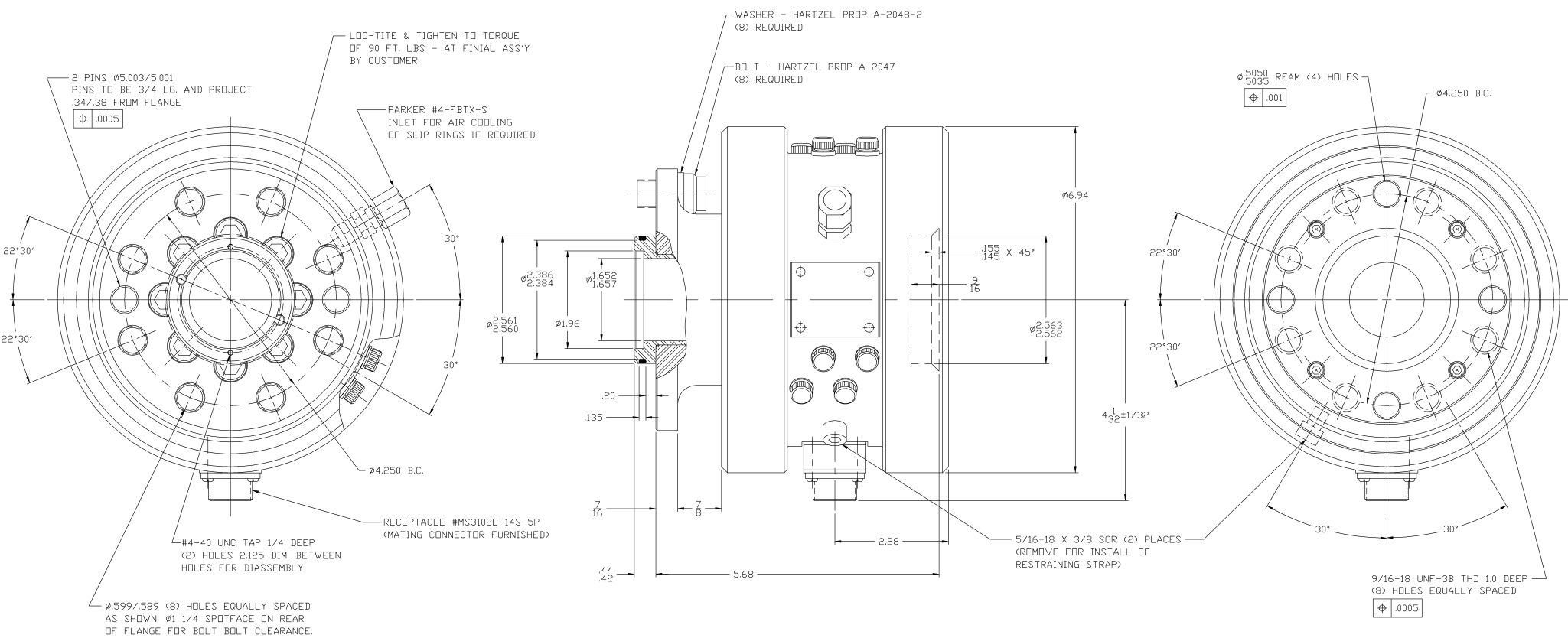


"NOTICE TO PERSONS RECEIVING THIS DRAWING AND/OR TECHNICAL INFORMATION"
 Lebow Products Corp. proprietary rights to the technical details herein, the drawing and/or technical information, shall be confidence for engineering information only and may not be reproduced or used for manufacture, copying, printing or otherwise without direct written permission from Lebow Products to the user. The drawing and/or technical information is the property of Lebow Products and is loaned for mutual assistance to be returned when its purpose has been served.



NOTES:
 1.) GROUND TEST ONLY
 2.) GROUND RATED

SPECIFICATIONS:
 OUTPUT: 15 MV.V NOM.
 SPEED: 3500 R.P.M. MAX.

Ⓟ

REV. NO.	PART NO.	DESCRIPTION	REV.
D-27473		Lebow Products Troy, Michigan	
UNLESS OTHERWISE SPECIFIED LINEAR DIMENSIONS ARE IN INCHES REMOVE ALL BURRS & SHARP EDGES ANGULAR DIMENSIONS ARE IN DEGREES SURFACE FINISH IS <input checked="" type="checkbox"/> DIMENSION LIMITS HELD AFTER PLATING			
TOLERANCES		DR BY: AGA	CHK BY: ENR
DRILLED HOLES	TWO PLACE DECIMALS	THREE PLACE DECIMALS	ANGLES ± 0.30°
SCALE: NONE	REF. SVGS: D-27474	FRACTIONAL DIMENSIONS: 1/8	DATE: 3/15/79
TITLE: INSTALLATION-TURBO-PROP TORQUE PICK-UP		REV. NO.:	REV.:
ECON. NO.:		DRAWING NO.:	D-27473