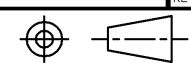
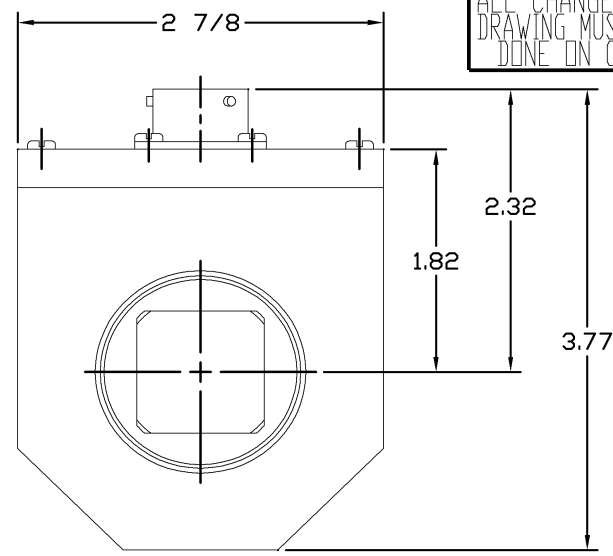
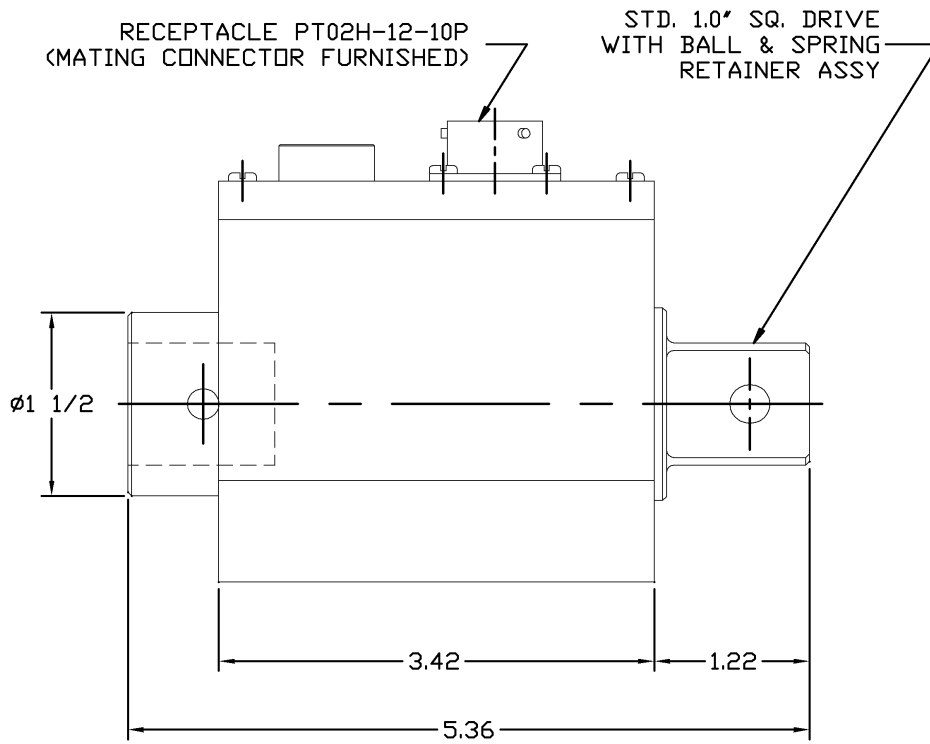


DO NOT SCALE DRAWING	B-35961	REV.
ALL CHANGES TO DRAWING MUST BE DONE ON CAD	 THIRD ANGLE PROJECTION	



NOTICE TO PERSONS RECEIVING THIS DRAWING AND/OR TECHNICAL INFORMATION
 Lebow Products claims proprietary rights to the material disclosed hereon. This drawing and/or technical information is issued in confidence for engineering information only and may not be reproduced or used to manufacture anything shown or referred to hereon without direct written permission from Lebow Products to the user. This drawing and/or technical information is the property of Lebow Products and is loaned for mutual assistance, to be returned when its purpose has been served.

DESCRIPTION		DET. NO.	PART NO.	DESCRIPTION	REQ'D.	
REVISIONS DATE APPV'D. CHG'D. ECN NO. SYM.		Lebow Products Lebow Products Troy, Michigan				
		UNLESS OTHERWISE SPECIFIED LINEAR DIMENSIONS ARE IN INCHES REMOVE ALL BURRS & ANGULAR DIMENSIONS ARE IN DEGREES SHARP EDGES DIMENSION LIMITS HELD AFTER PLATING SURFACE FINISH 125 ✓				
		TOLERANCES				DR. BY: MGJ DATE: 11/8/01
		DRILLED HOLES ±.000 ±.007	TWO PLACE DECIMALS ± .010	THREE PLACE DECIMALS ± .005	ANGLES ± 0 '30'	ENGR. DATE:
SCALE: NONE		REF. DWG. B-35962	FRACTIONAL DIMENSIONS ± 1/64	MAT'L. -----	MODEL: 1254-309	
TITLE: O.D. DRAWING				DRAWING NO. B-35961	REV.	