

Performance Characteristics

Measuring Range	0-500ppm
Sensitivity Range	35nA/ppm ± 15nA/ppm
Expected Operating Life	>24 months in air*
Zero Current at 20°C	<± 100nA, typically 40nA
Response Time at 20°C	t50 <30s calculated from 5min. exposure time t90 <90s calculated from 5min. exposure time
Temperature Range	-20°C to +40°C
Bias Potential	0mV
Linearity	<10% full scale
Long Term Sensitivity Drift	<5% per 6 months
Pressure Coefficient	<0.03% signal/mBar
Operating Humidity	15-90% RH non-condensing
Effect of Humidity	No effect on zero reading during abrupt changes of RH
Recommended Load Resistor	100Ω

*Background concentrations of ammonia might shorten life of sensor.

Physical Characteristics

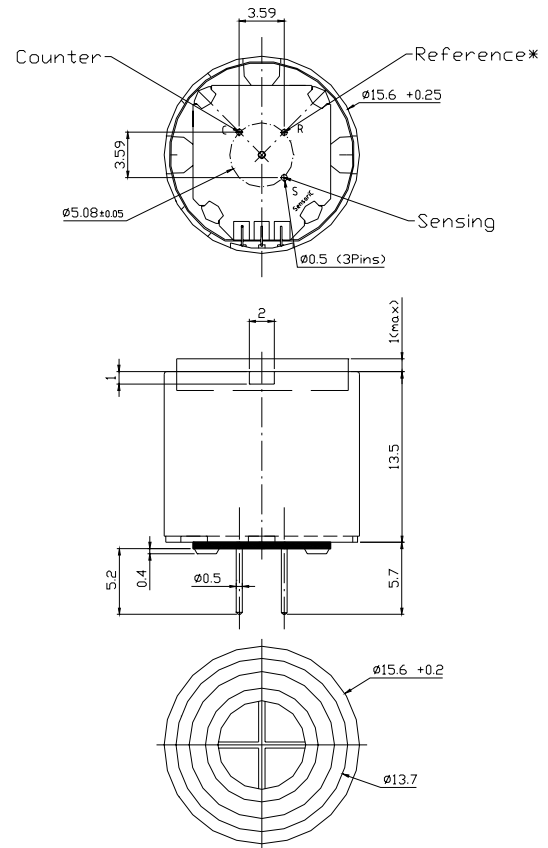
Orientation Sensitivity	None
Storage Life	4 weeks in container
Recommended Storage Temperature	0-20°C
Warranty	12 Months

Features

- Amperometric 3 electrode sensor cell
- Low susceptibility to abrupt changes of humidity
- No CO2 interference
- High selectivity
- 0 voltage biased operation

N.B. All technical specifications are based on conditions at 20°C, 50%RH, and 1013mBar unless otherwise noted.

Outline Dimensions (Example Mini)



All dimensions in mm
All tolerances ± 0.15 mm unless otherwise stated

Part Number Information

Mini	1850-932-30009
Sensoric Classic	1850-932-30069
CTL4 Series Adaptation	1850-932-30049
CTL 7 Series Adaptation	1850-932-30079

Note: Dimensions available at www.citytech.com reference Sensoric applications notes.

Typical Applications

Portable & fixed point applications
Monitoring of IDLH levels, General Industry,
Chemical Industry, Food & Refrigeration Industry

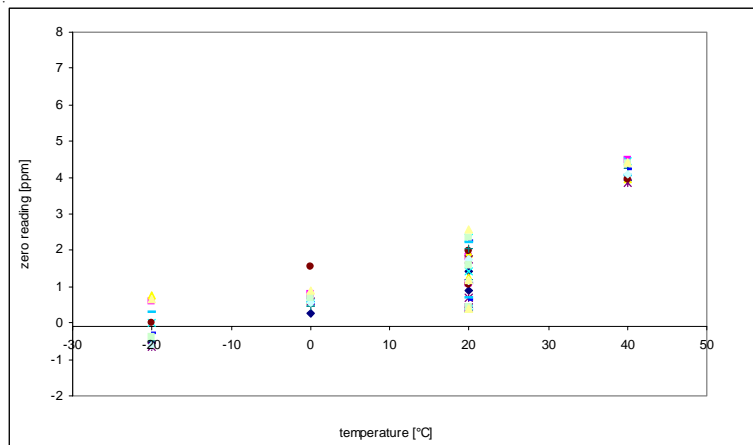
Cross Sensitivities at 20°C

Gas	Concentration	Reading (ppm)
Alcohols (IPA)	600 ppm	No effect / <1
Carbon Monoxide	100 ppm	No effect / <1
Carbon Dioxide	5%	-4
Hydrogen	3000 ppm	No effect / <5
Hydrogen Sulfide	20 ppm	5

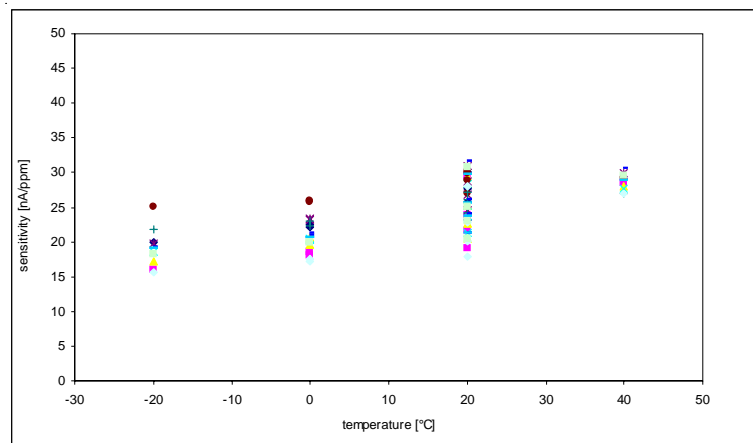
Notes:

- 1) Interference factors may differ from sensor to sensor and with life time. It is not advisable to calibrate with interference gases.
- 2) This table does not claim to be complete. The sensor might also be sensitive to other gases.

Zero Reading vs. Temperature



Output vs. Temperature



Sensoric deems the data contained herein as factual, and the opinions expressed are those of qualified experts based on the results of tests conducted. The above data can not be used as a warranty provision or representation for which Sensoric assumes legal responsibility. The data are offered solely for consideration, investigation and verification. Any use of this information is subject to federal, state and local laws and regulations.