

INSTALLATION INSTRUCTIONS FOR THE **VALVE POSITION INDICATOR FOR HAZ. LOCATIONS** VPX SERIES

32312068

Issue R



Multiple language versions of installation instructions and other documents are available on Honeywell's website. To access:

1. Go to <http://sensing.honeywell.com/hazardousareaswitches>
2. Select the product's instructions from the installation instruction section.

Installationsanweisungen und andere Dokumente stehen in mehreren Sprachen auf der Honeywell-Website zur Verfügung. So greifen Sie darauf zu:

1. Gehen Sie auf die Webseite <http://sensing.honeywell.de/hazardousareaswitches>
2. Wählen Sie im Bereich "Installationsanweisungen" die zum entsprechenden Produkt gehörenden Anweisungen aus.

Versiones de las instrucciones de instalación y otros documentos se encuentran disponibles en el sitio de internet de Honeywell en múltiples idiomas. Para acceder:

1. Vaya a <http://sensing.honeywell.com/hazardousareaswitches>
2. Seleccione las instrucciones del producto en la sección de instrucciones de instalación.

Les instructions d'installation et d'autres documents sont disponibles dans plusieurs langues sur le site Web d'Honeywell. Procédure d'accès :

1. Accédez à la page <http://sensing.honeywell.com/hazardousareaswitches>
2. Sélectionnez les instructions relatives au produit qui vous intéresse dans la section « Installation Instructions.

⚠ WARNING **PERSONAL INJURY**

- DO NOT USE these products as safety or emergency stop devices or in any other application where failure of the product could result in personal injury.

Failure to comply with these instructions could result in death or serious injury.

⚠ WARNING **IMPROPER CONDUIT THREAD USE**

- DO NOT USE any other conduit thread than the one identified on the product. Verify that the mating threaded fitting is identical with the conduit thread marked near the conduit opening (see Figure 6).

Failure to comply with these instructions could result in death or serious injury.

⚠ WARNING

- To maintain ATEX/IECEx protection methods, an Ex cable gland or Ex conduit sealing device, rated Ex db IIC Gb IP66, Ex tb IIIC Db IP66 shall be installed. For Intrinsically Safe models, cable glands must have a minimum service temperature of 80°C.

⚠ WARNING

- Enclosure contains aluminum. Care must be taken to avoid hazard due to impact or friction

⚠ WARNING

- To reduce the risk of ignition in hazardous atmospheres, conduit runs must have a sealing fitting connected within 18 inches of enclosure.

Sul sito Web di Honeywell sono disponibili istruzioni per l'installazione in più lingue e altra documentazione. Per accedere:

1. Andare a <http://sensing.honeywell.com/hazardousareaswitches>
2. Selezionare le istruzioni per il prodotto nella sezione istruzioni per l'installazione.

As versões em diversos idiomas das instruções de instalação e outros documentos estão disponíveis no site da Honeywell. Para acessar:

1. Vá para <http://sensing.honeywell.com/hazardousareaswitches>
2. Selecione as instruções do produto na seção de instruções de instalação.

多语种安装指南和其他文档均可从霍尼韦尔的网站获取。访问网站：

1. 前往 <http://sensing.honeywell.com/hazardousareaswitches>
2. 从安装指南部分选择具体的产品指南。

На веб-сайте Honeywell имеются инструкции по установке и другие документы на различных языках. Для доступа к ним выполните следующие действия.

1. Перейдите по адресу <http://sensing.honeywell.com/hazardousareaswitches>
2. Выберите инструкции для изделия в разделе инструкций по установке.

⚠ WARNING

- Substitution of components may impair intrinsic safety.

⚠ WARNING **OPENING PRODUCTS HAZARD**

- DO NOT OPEN these products when energized or in a flammable gas atmosphere.

Failure to comply with these instructions could result in death or serious injury.

⚠ WARNING **RISK TO LIFE OR PROPERTY**

- Never use this product for an application involving serious risk to life or property without ensuring that the system as a whole has been designed to address these risks and that this product is properly rated and installed for the intended use within the overall system.

Failure to comply with these instructions could result in death or serious injury.

⚠ WARNING

- This equipment has a non-conducting coating and may generate an ignition-capable level of electrostatic charges under certain extreme conditions. The user should ensure that the equipment is not installed in a location where it may be subjected to external conditions (such as high pressure steam) which might cause a build up of electrostatic charges on non-conducting surfaces. Additionally, cleaning of the equipment should be done with a damp cloth.

Honeywell

GENERAL INFORMATION

The VPX Valve Position Indicator is designed specifically for use in potentially hazardous locations where explosive gases or dusts may be present. To comply with explosion proof requirements the VPX has flame paths within the housing, which cool any explosion below the ignition temperature before it reach explosive gases or dusts in the surrounding atmosphere. Flame paths on the VPX are 1) an extended shaft between the switch cavity and head and 2) the cover-housing flange joint.

The equipment has a non-conducting coating and may generate an ignition-capable level of electrostatic charges under certain conditions. The user should ensure that the equipment is not installed in a location where it may be subjected to external conditions (such as high pressure steam) that might cause a build up of electrostatic charges on non-conducting surfaces. Additionally, cleaning of the equipment should be done with a damp cloth.

Figure 1. VPX Valve Position Indicator

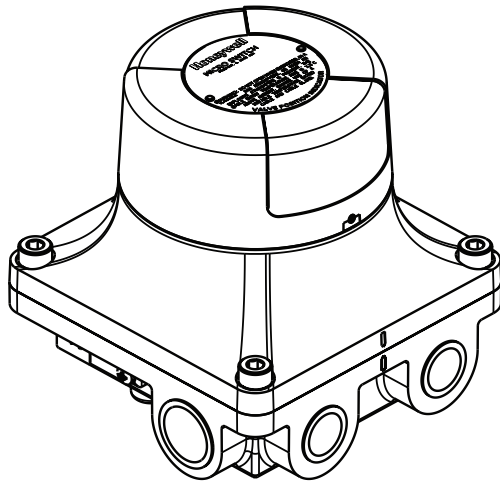
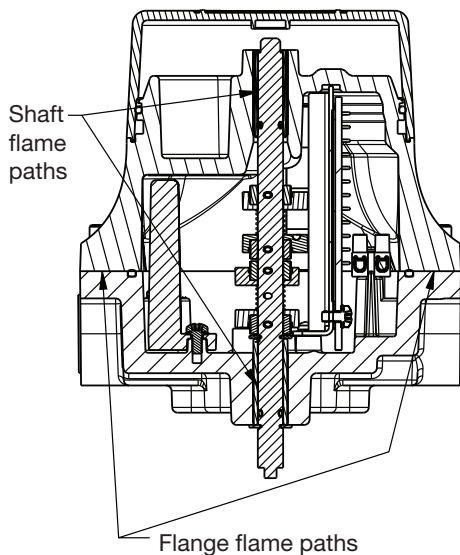


Figure 2. Flame Paths



ENVIRONMENTAL PROTECTION

The VPX Valve Position Indicator is often ideal for outdoor use or in potentially adverse environments. The enclosure is sealed for protection against corrosion, water, dust and oil as defined in UL 50E to enclosure types 4, 4X, 6 and 13 as well as to IP66 and IP67 as defined in IEC 60529. An ingress protection rating of IP66 was confirmed according to IEC 60079-0 along with the hazardous location approvals. A rating of IP67 was confirmed by Honeywell according to IEC 60529.

HAZARDOUS LOCATION RATINGS





IECEx UL 16.0102X
 DEMKO 16 ATEX 1733X


Compliance with the Essential Health and Safety Requirements has been assured by compliance with:

- CENELEC EN 60079-0 EXPLOSIVE ATMOSPHERES - PART 0: EQUIPMENT - GENERAL REQUIREMENTS
- CENELEC EN 60079-1 EXPLOSIVE ATMOSPHERES - PART 1: EQUIPMENT PROTECTION BY ENCLOSURES "d"
- CENELEC EN 60079-11 EXPLOSIVE ATMOSPHERES - PART 11: EQUIPMENT PROTECTION BY INTRINSIC SAFETY "I"
- CENELEC EN 60079-31 EXPLOSIVE ATMOSPHERES - PART 31: EQUIPMENT DUST IGNITION PROTECTION BY ENCLOSURE "T"
- IEC 60079-0 EXPLOSIVE ATMOSPHERES. PART 0: EQUIPMENT GENERAL REQUIREMENTS
- IEC 60079-1 EXPLOSIVE ATMOSPHERES. PART 1: EQUIPMENT PROTECTION BY ENCLOSURES "d"
- IEC 60079-11 EXPLOSIVE ATMOSPHERES - PART 11: EQUIPMENT PROTECTION BY INTRINSIC SAFETY "I"
- IEC 60079-31 EXPLOSIVE ATMOSPHERES. PART 31: EQUIPMENT DUST IGNITION PROTECTION BY ENCLOSURE "T"
- EUROPEAN DIRECTIVE ON EQUIPMENT AND PROTECTIVE SYSTEMS INTENDED FOR USE IN POTENTIALLY EXPLOSIVE ATMOSPHERES (2014/34/EU) commonly referred to as the ATEX Directive.
- UL 1203 Explosion-Proof and Dust-Ignition-Proof Electrical Equipment for Use in Hazardous (Classified) Locations
- CSA C22.2 No. 30 Explosion-proof enclosures for use in class I hazardous locations
- CSA C22.2 No. 25 Enclosures for Use in Class II Groups E, F and G Hazardous Locations

The explosion-proof ratings per these standards are:

	II 2 G, II 2 D		CL 1 DIV 1 Groups B, C, D CL II DIV 1 Groups E, F, G
Ex db IIC T6 Gb Ex tb IIIC T85°C Db IP66 Ta -40°C to +50°C (Switch Code 4A or 4B) Ta -40°C to +60°C (Switch Code 2A or 2B)			

In addition, versions of the VPX with proximity switches carry an intrinsically safe rating:

	II 1 G, II 2 D
Ex ia IIC T4 Ga Ex ia IIIC 135°C Db IP66 Ta -40°C to 80°C (Switch Code 2C)	

Honeywell ensures all the elements, requirements and provisions adopted comply with the product's Ex certificate and technical documentation. As detailed in section 5.1 of EN/IEC 60079-1 the requirements of the flamepath joints are met as follows:

TABLE 1. FLAME PATH MEASUREMENTS

Flame Path	Comments
Shaft & bearing	Cylindrical spigot joint 0,06 mm maximum gap
Cover to base	Flanged joint, 9,5 mm min. surface mate at any location within the joint, 0,038 mm max. clearance between cover and base

North America Hazardous location ratings per UL 1203:2013 and CSA C22.2 No. 30:2003 and CSA C22.2 No. 25:1966 are:

- Division 1, Class I, Groups B, C, D
- Division 1, Class II, Groups E, F, G

NEPSI AND CCC CERTIFICATION (NEPSI AND CCC DO NOT APPLY TO VPX1E PART NUMBERS)

一、 防爆等级

1. 切换开关:

Ex d IIC T6 Gb, Ex tD A21 IP66 T85°C
Ta -40°C to +50°C (Switch Code 4A or 4B)
Ta -40°C to +60°C (Switch Code 2A or 2B)

2. NAMUR接近开关:

Ex ia IIC T4 Ga, Ex iaD 20 T135
Ta -40°C to +80°C (Switch Code 2C)

二、 产品的安全使用特殊条件

1. 产品外壳材质为铝合金，安装方式必须具有防止由于冲击或摩擦引起点燃危险的安全措施。
2. 产品内部装配德国P+F公司生产的NCB2 - V3 - N0矩形接近开关已由国家级仪器仪表防爆安全监督检验站依据GB3836.1 - 2010和GB3836.4 - 2010防爆标准规定的要求予以认可，防爆合格证号为GYJ16.1394X；接近开关的内部等效参数、最高使用环境温度之间的对应关系详见GYJGYJ16.1394X防爆合格证附件。同时，阀位回讯器的使用环境温度必须同时满足接近开关和阀位回讯器在同一温度组别条件下对环境温度的要求。
3. 涉及到隔爆接合面尺寸的确切请参见安装说明书（文件编号：32312068）；外壳紧固件的最小屈服强度为205MPa。

三、 产品使用注意事项

1. 额定电气参数:

NAMUR开关: 8.2V, 接通电流<1mA, 切断电流>3mA
切换开关: 150VAC/15A, 250VAC/10A, 250VDC/0.5A

2. 本安参数:

当产品防爆标志为Ex ia IIC T4 Ga或Ex iaD 20 T135时，产品的本安电气参数和内部等效参数详见GYJGYJ16.1394X防爆合格证附件。

3. 除非防爆标志为Ex ia IIC T4 Ga，否则产品不得在爆炸性环境开盖。
4. 应当保持产品外壳表面清洁，以防粉尘堆积，但严禁用压缩空气吹扫。
5. 用户不得自行更换该产品的零部件，应会同产品制造商共同解决运行中出现的故障，以杜绝损坏现象的发生。
6. 产品的安装、使用和维护应同时遵守产品说明书、GB3836.13 - 2013“爆炸性环境第13部分：设备的修理、检修、修复和改造”、GB3836.15 - 2000“爆炸性气体环境用电气设备第15部分：危险场所电气安装（煤矿除外）”、GB3836.16 - 2006“爆炸性气体环境用电气设备 第16部分：电气装置的检查和维护（煤矿除外）”、GB15577 - 2007“粉尘防爆安全规程”、GB12476.2 - 2010“可燃性粉尘环境用电气设备 第2部分：选型和安装”和GB50257 - 2014“电气装置安装工程爆炸和火灾危险环境 电气装置施工及验收规范”的有关规定。

SAFETY INTEGRITY LEVEL (SIL)

SIL 3 per IEC 61508-2 as evaluated by Sira Certification Service.

SAFETY FUNCTION

The safety function of the certified equipment is:

'To provide indication of a monitored valve position upon rotation of the shaft via switches or proximity sensors and a visual indicator.'

UNDETECTABLE DANGEROUS FAILURE

'If an undetected dangerous failure of the VPX Valve Position Indicator were to occur it would fail to respond and would give an incorrect indication of valve position. However this would only ever occur if both the switches or sensors and visual indicator were to have failed.'

PROOF TEST REQUIREMENTS

A maximum proof test interval of 1 year is recommended for the VPX products. The proof test procedure must be carried out by a competent person who is trained in safety operations and is familiar with the VPX product. A generic proof test procedure can be found in Table 2, however depending on application may vary.

MATERIALS OF CONSTRUCTION

The following materials are used in the VPX Valve Position Indicator: aluminum housing, buna-N seals, polycarbonate indicator and indicator cover and stainless steel shaft and fasteners. The suitability of these materials for the application environment is solely up to the customer.

ELECTROMECHANICAL SNAP ACTION SWITCHES

The electrical ratings of the VPX with snap-action switches are

- 15 A @ 150 Vac, 10 A @ 250 Vac, 0.5 A @ 250 Vdc

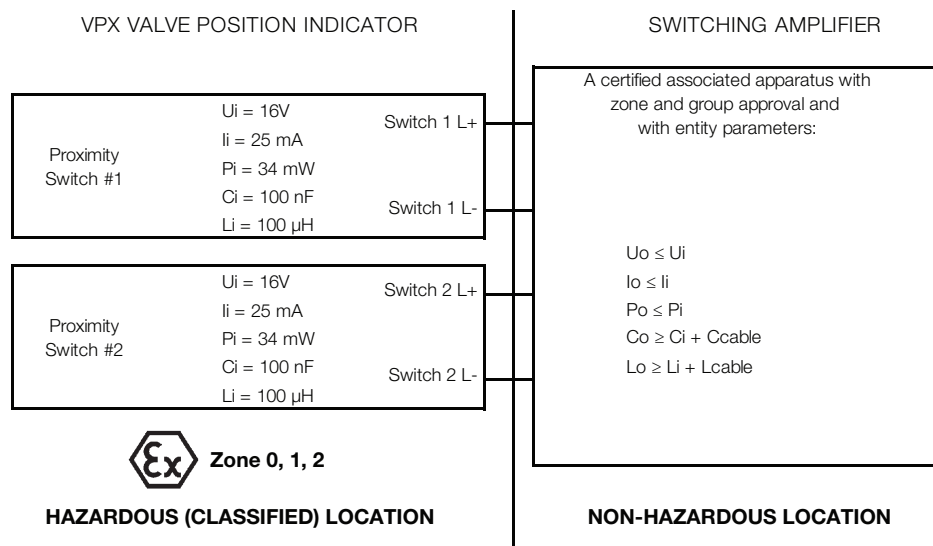
TABLE 2. PROOF TEST PROCEDURE

Step	Action
1	Bypass safety PLC and/or take alternative actions to avoid false trip.
2	Visually inspect the VPX Valve Position Indicator for signs of wear or damage.
3	Perform the proof test by manually operating the valve being monitored and perform a full stroke.
4	Monitor the visual indication and switch outputs and record test results as per local procedure.
5	Remove the safety PLC bypass and restore the safety system for normal operation.

S.NO	Catalog	MCTF Mechanical Life (Cycles)		MCTF Electrical Life (Cycles)		Highest SIL						
		Value	Reference	Value	Reference	SIL Level	HFT ¹	SC ²	PTI ³	PT ⁴	Standard	Reference
1	VPX Series - Electromechanical snap-action switches loaded at 16 A, 250 Vac	> 500,000 with Single Sided Confidence Limit of 100%.	SIRA TA 16002/01	> 25,000 with Single Sided Confidence Limit of 50%	SIRA TA 16001/01	SIL 3	0	SC 3	1 year	Type A	IEC 61508-2: 2010	SIRA FSP 16005/00
2	VPX Series - Electromechanical snap-action switches loaded at 0.5 A, 250 Vdc	> 500,000 with Single Sided Confidence Limit of 100%.	SIRA TA 16002/01	> 10,000 with Single Sided Confidence Limit of 100%.	SIRA TA 16001/01	SIL 3	0	SC 3	1 year	Type A	IEC 61508-2: 2010	SIRA FSP 16005/00
3	VPX Series - Intrinsically safe proximity switches	> 500,000 with Single Sided Confidence Limit of 100%.	SIRA TA 16004/01	> 50,000 with Single Sided Confidence Limit of 100%.	SIRA TA 16003/01	SIL 3	0	SC 3	1 year	Type A	IEC 61508-2: 2010	SIRA FSP 16005/00

Notes: ¹ HFT: Hardware Fault Tolerance; ² SC: Systematic Capability; ³ PTI: Proof Test Interval; ⁴ PT: Product Type

Figure 3. Intrinsically Safe Zone Diagram



INTRINSICALLY SAFE PROXIMITY SWITCHES

A VPX equipped with proximity switches is considered intrinsically safe when used with an appropriate switching amplifier, also referred to as an associated apparatus, which complies with EN 60947-5-6 or IEC 60947-5-6. The amplifier contains a dc source to supply the control circuit and is controlled by the variable internal resistance of the proximity switch. This amplifier is placed outside of the hazardous area. A diagram of the typical installation is shown in Figure 3.

Cable capacitance, C_{cable} , plus intrinsically safe equipment capacitance, C_i , must be less than the marked capacitance, C_o , shown on any associated apparatus used. The same applies for inductance (L_{cable} , L_i and L_o , respectively). Where the cable capacitance and inductance per

foot are not known, the following values shall be used:
 $C_{cable} = 200 \text{ pF/m.}$, $L_{cable} = 1 \text{ } \mu\text{H/m.}$

The associated apparatus output current must be limited by a resistor such that the output voltage-current plot is a straight line drawn between open-circuit voltage and short-circuit current. The associated apparatus must be installed in accordance with its manufacturer's control drawing. When required by the manufacturer's control drawing, the associated apparatus must be connected to a suitable ground electrode per local installation codes, as applicable. The resistance of the ground path must be less than 1 Ohm. Associated apparatus must not be used in combination unless permitted by the associated apparatus certification. Control equipment must not use or generate more than

VALVE POSITION INDICATOR FOR HAZ. LOCATIONS

VPX SERIES

Issue R
32312068

250 V rms or dc with respect to earth. Where multiple circuits extend from the same piece of intrinsically safe equipment to the associated apparatus, they must be installed in separate cables or in one cable having suitable insulation. Installation must be done in accordance with all local codes.

⚠ ATTENTION

- The following additional previous editions of Standards noted under the "Standards" section of this Certificate where applied to integral Components as itemized below. There are no significant safety related changes between these previous editions and the editions noted under the "Standards" section.
- Inductive Proximity Sensor, Part No. NCB2-V3-NO manufactured by Pepperl+Fuchs GmbH IEC 60079-0, IEC 60079-11

INSTALLATION INSTRUCTIONS

1. **DO NOT OPEN** the VPX when energized or in a flammable atmosphere.
2. Mount VPX using (4) M6 x 1 screws or (4) M8 x 1.25 screws into the tapped holes at the base of the product. Mounting dimension drawings for the hole locations are shown in Figure 17. Fasten M6 screws to 18 Nm \pm 2 Nm [13.3 ft-lb \pm 1.5 ft-lb]. Fasten M8 screws to 6 Nm \pm 1 Nm [53 in-lb \pm 9 in-lb]. Accessory brackets are available that mate directly to the base of the VPX. Proper alignment of the shaft of the VPX to the mating valve actuator or coupling is essential in order to ensure smooth rotary motion of the VPX shaft as well as to avoid premature wear.
3. After mounting the VPX, remove the (4) socket head cap screws that fasten the cover to the base using a 6 mm hex wrench.
4. Remove the cover and refer to circuit diagram on the inside of the cover, or refer to document 32325422. The diagram depicts the available connections of each switch inside the VPX. A terminal strip is labeled for each switch connection.

Figure 4. Circuit Diagram Location

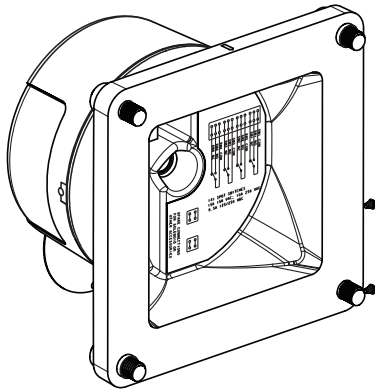
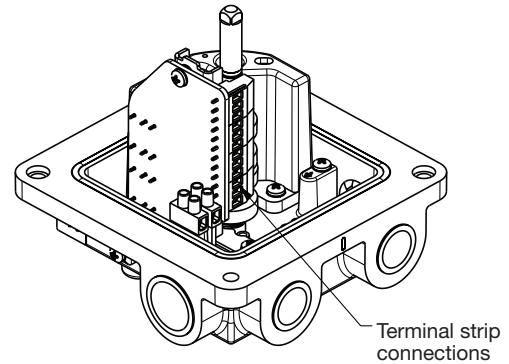
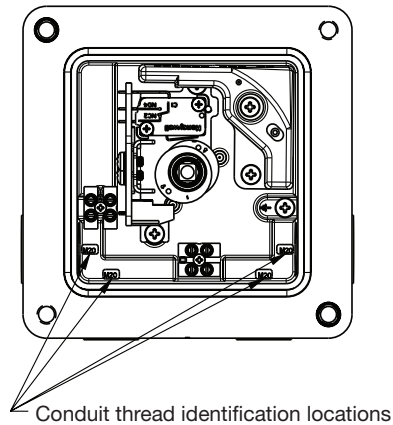


Figure 5. Terminal Strip Location



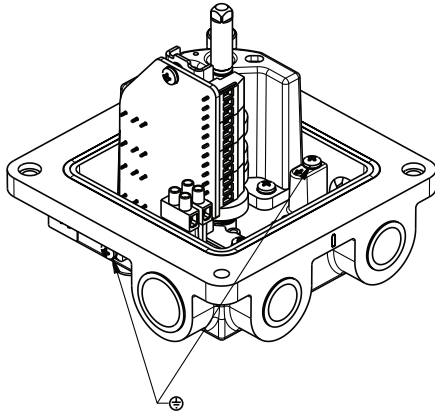
5. For installations utilizing the UL or cUL certifications, use Class I, Division 1, Class II, Division 1 and Class III wiring methods in accordance with the National Electrical Code (NEC), Canadian Electrical Code (CEC), or other code(s) where applicable. For installations utilizing the ATEX/IEC Ex certifications, use applicable requirements from EN/IEC 60079-14, EN/IEC 60079-17 and EN/IEC 60079-19 as required by local codes and regulations.

Figure 6. Conduit Size ID Locations



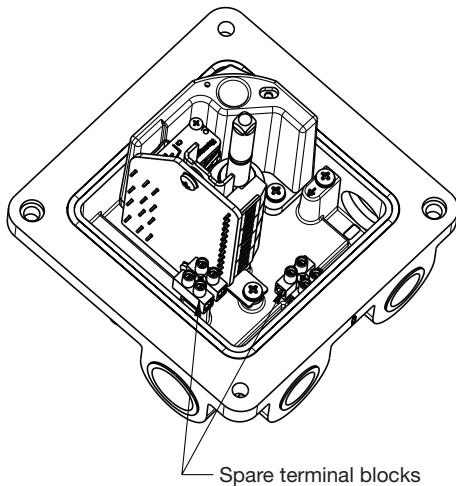
6. Insert the wires through the conduit openings so that they are accessible inside the VPX. Ensure enough wire is available to reach each terminal strip location.
7. Wire should be stripped back to 4 mm \pm 1 mm [0.16 in \pm 0.04 in]. Wire sizes should be chosen to comply with local codes and practices and capable of carrying the rated load. The terminal strip will accept 0,1 mm² to 4 mm² [26-12 AWG] wire. Insert the stripped ends of the wire to each connection and tighten the screws to 0,4 Nm \pm 0,1 Nm [3.5 in-lb \pm 1 in-lb].
8. Ground screws are located both inside and outside the enclosure, suitable for wire sizes up to 4 mm² [12 AWG]. Fasten all M4 grounding screws to 1,6 Nm \pm 0,3 Nm [14 in-lb \pm 2.7 in-lb]. The internal grounding terminal must be used for the equipment grounding connection and the external terminal is for supplementary bonding connection where local codes or authorities permit or require such connections. See Figure 7.

Figure 7. Ground Screw Locations



9. Spare terminal strip positions are available for making junction connections for accessories such as pneumatic solenoid valves. The terminal strip will accept 0,5 mm² to 4 mm² [20-16 AWG] wire. Insert the stripped ends of the wire to each connection and tighten the screws to 0,4 Nm ±0,1 Nm [3,5 in-lb ±1 in-lb].

Figure 8. Spare Terminal Block Locations

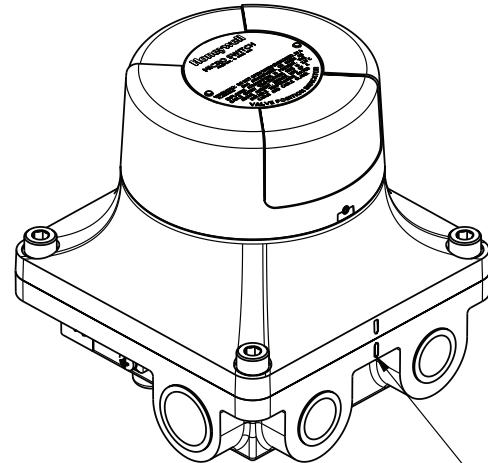


10. For installations utilizing the UL or cUL certifications, install conduit plugs in unused openings. For installations utilizing the ATEX/IEC Ex certifications, install blanking elements rated Ex db IIC Gb IP66 and Ex tb IIIC Db IP66 in unused openings. Conduit size is marked on the inside of the housing near the conduit openings. See Figure 6.
11. For installation utilizing the UL or cUL certifications, install a conduit seal suitable for Class I Groups B, C and D or Class II Groups E, F or G within 450 mm [18 inches] of every conduit opening. For installations utilizing the ATEX/IEC Ex certifications, if an Ex conduit sealing device is used, it must be installed immediately at each entry. If an Ex cable glad is used, it must be installed per the manufacturer's instructions.
12. It may be desirable to adjust the cams of the product at this point to set the switch points. See the adjustment, repair and maintenance section for instructions on how to adjust the cams.
13. Reassemble cover, making sure to align the arrows on the cover and the base, per Figure 9. Fasten the (4) socket head cap screws that fasten the cover to the base using a 6 mm hex wrench to 18 Nm ±2 Nm [13.3 ft-lb ±1.5 ft-lb]. Screw minimum yield strength: 205 MPa. Confirm with a shim or "feeler" gauge that the gap between the cover and the base does not exceed 0,038 mm [0.0015 in].

CAUTION

- Cover joints must be cleaned before replacing the cover. Use care when reassembling the cover in order to prevent damage to the switch assembly or to the flange surface.

Figure 9. Cover to Base Alignment



Cover fits only one orientation. Use arrows on base and cover for alignment

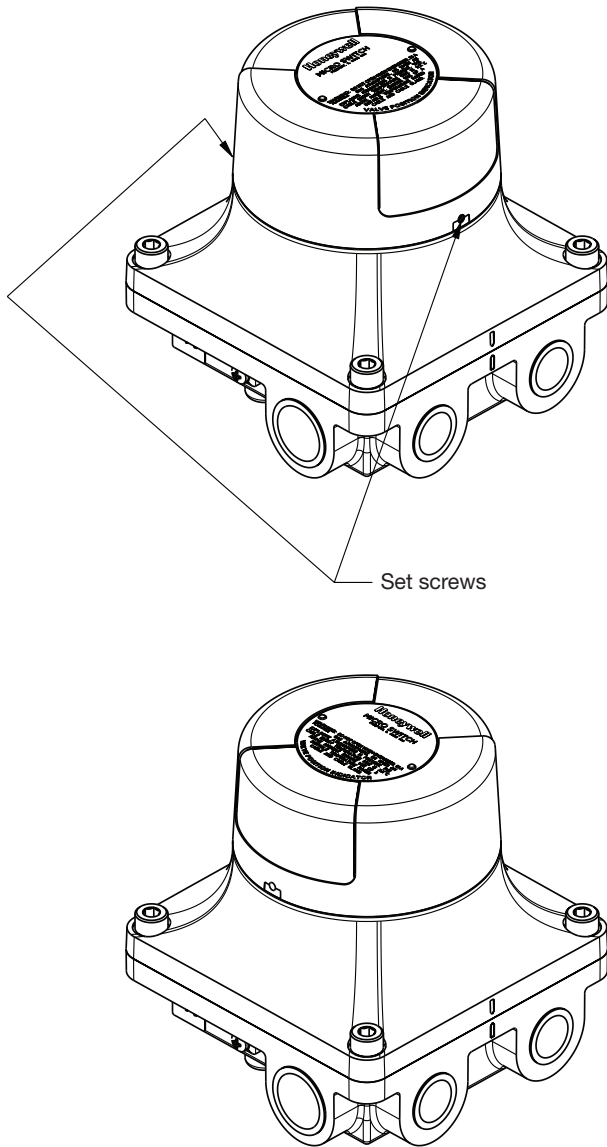
14. Perform functional tests.
15. Actuate the VPX switch several times to ensure smooth actuation.

VISUAL INDICATOR ADJUSTMENT

The visual indicator can be adjusted in two ways, either by rotating the window through which the indicator is visible or actually repositioning the indicator to swap the OPEN and CLOSED positions.

To rotate the window, loosen the two set screws of the indicator cover (See Figure 10) by 1 turn each using a 2 mm hex wrench, rotate the cover and then tighten the set screws one turn again until the face of the set screw is flush to the cover. Tighten to 0,15 Nm [1.3 in-lb] max. Do not over tighten these screws as it may impact the ingress protection of this cover.

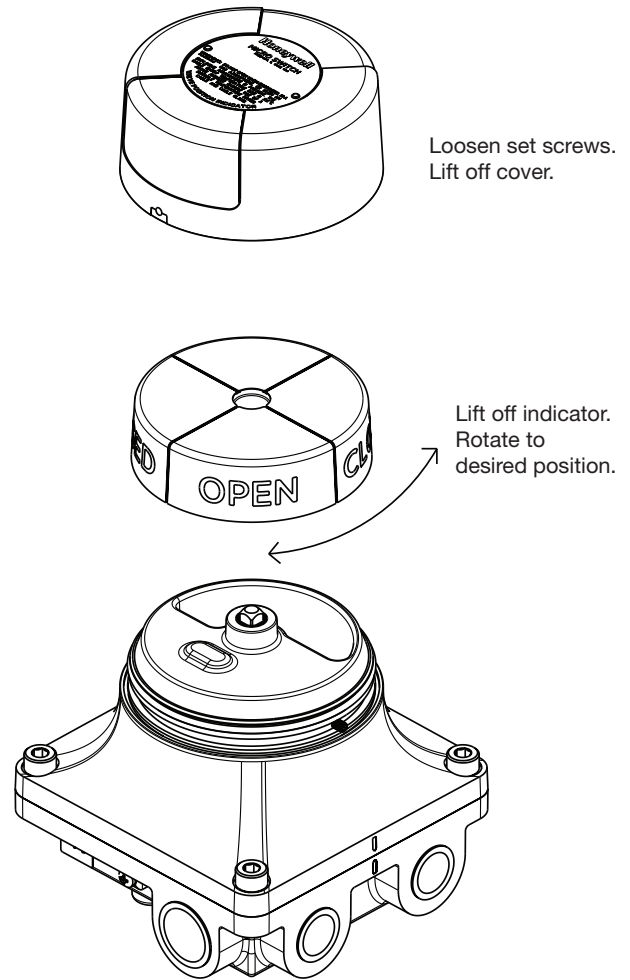
Figure 10. Indicator Cover Alignment



Indicator cover rotated 90°

To reposition the indicator, loosen the two set screws of the indicator cover by 4 ½ turns using a 2 mm hex wrench and lift this cover off the VPX. Next, lift the indicator off and rotate it to the desired orientation and position it back in place. The indicator is adjustable in 90° increments. Finally, reposition the indicator cover to the desired orientation and tighten the set screws by 4 ½ turns again until the face of the set screw is flush to the cover. Tighten to 0,15 Nm [1.3 in-lb] max. Do not over tighten these screws as it may impact the ingress protection of this cover.

Figure 11. Indicator Adjustment



Loosen set screws.
Lift off cover.

Lift off indicator.
Rotate to
desired position.

CAM ADJUSTMENT

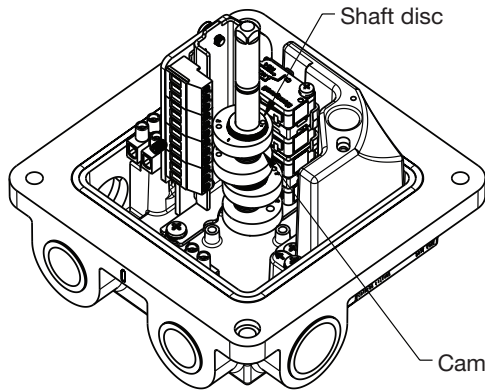
The switch points of each switch are factory set relative to the shaft position. See VPX Series Chart 1 drawing for these set points, as they vary by model. The switch points can be adjusted by repositioning the cams inside the product.

⚠ WARNING

- DO NOT OPEN the VPX when energized or in a flammable atmosphere

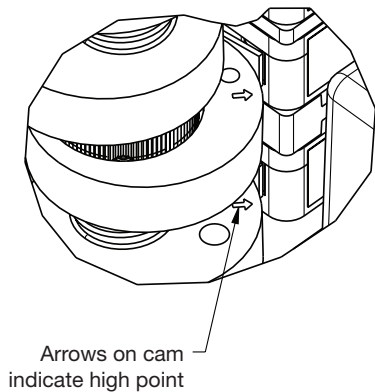
1. **DO NOT OPEN** the VPX when energized or a flammable atmosphere.
2. To access the cams, remove the (4) socket head cap screws that fasten the cover to the base using a 6 mm hex wrench.
3. Each cam mates with the shaft disc. Move cam axially to disengage teeth on wheel from teeth on shaft disc.

Figure 12. Cam Adjustment



- Turn cam to desired position. Each notch on the shaft disc represents an operating point change of 4°. Arrows on the cam indicate the high point as a reference for alignment to the switch or to align one cam with another.

Figure 13. Cam Detail

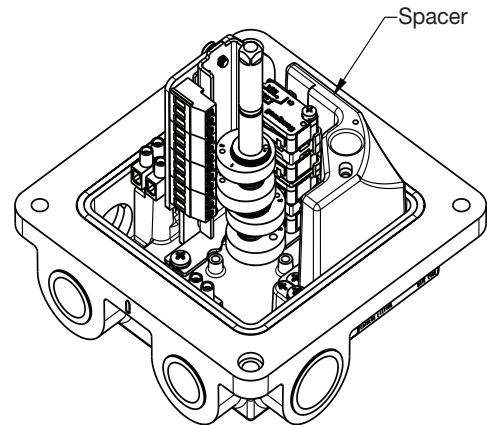


- In versions that use the snap action switches, you will hear an audible click with the switch actuates or releases.
- When cam has been rotated to desired location, release cam to engage with mating shaft disc.

STOP CAUTION

- During the cam adjustment it may be desirable to remove the spacer part (see Figure 14). Make sure to reassemble this piece after adjustment as it is a necessary part to ensure the maximum internal volume of the VPX meets agency requirements.

Figure 14. Spacer



- When cam adjustment is complete reassemble cover and torque the (4) socket head cap screws that fasten the cover to the base using a 6 mm hex wrench to 18 Nm \pm 2 Nm [13.3 ft-lb \pm 1.5 ft-lb].

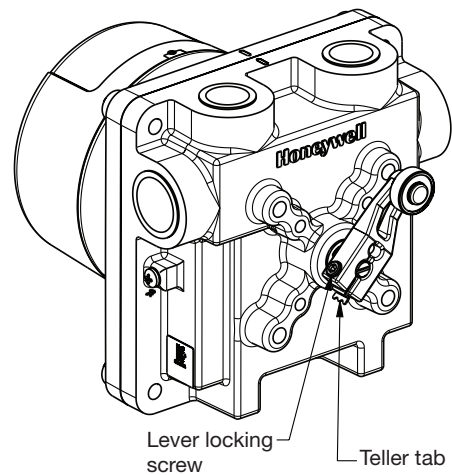
SPECIAL CONDITIONS FOR SAFE USE

- The Installation Instructions (this document 32312068) state the dimensions of all joints to inform the end user.
- Fasteners for maintaining the enclosure integrity have a yield stress strength of 205 MPa.

LEVER POSITIONING

Various levers can be attached to the VPX products equipped with the knurled shaft option. See 7CX Series Chart 1, 2 and 3 drawings for a list of lever accessories. To install or reposition a lever, loosen the screw with a 9/64 inch hexagon key wrench, move the lever to the desired position and securely tighten the screw until the "teller tab" can no longer be moved by hand. Then tighten the screw another 1/8 to 1/4 turn to assure that the lever is tight on the shaft. Hexagon key wrenches are provided in adjusting tool set LSZ4005 for this purpose.

Figure 15. Lever Adjustment



VALVE POSITION INDICATOR FOR HAZ. LOCATIONS

VPX SERIES

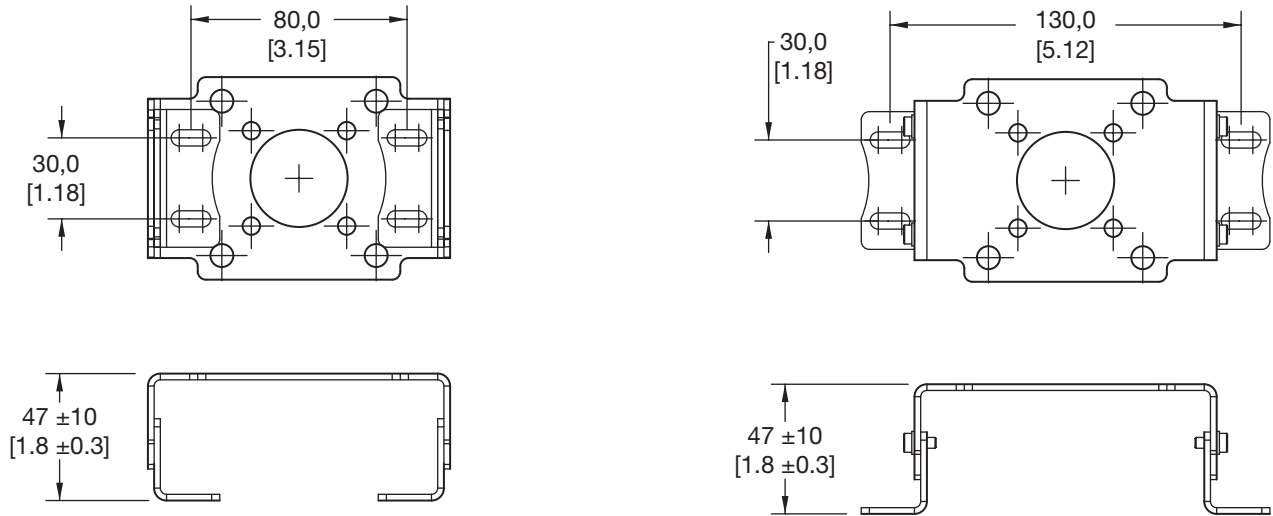
Issue R
32312068

To order replacement levers, order the part number which is metal stamped on either the lever or the hub. **Only non-sparking levers can be used to retain the explosion-proof properties.**

ACCESSORIES

A mounting bracket kit is available as an accessory, Honeywell part number VPZB1.

Figure 16. Accessory Bracket



In addition, conduit plugs are available in the following sizes:

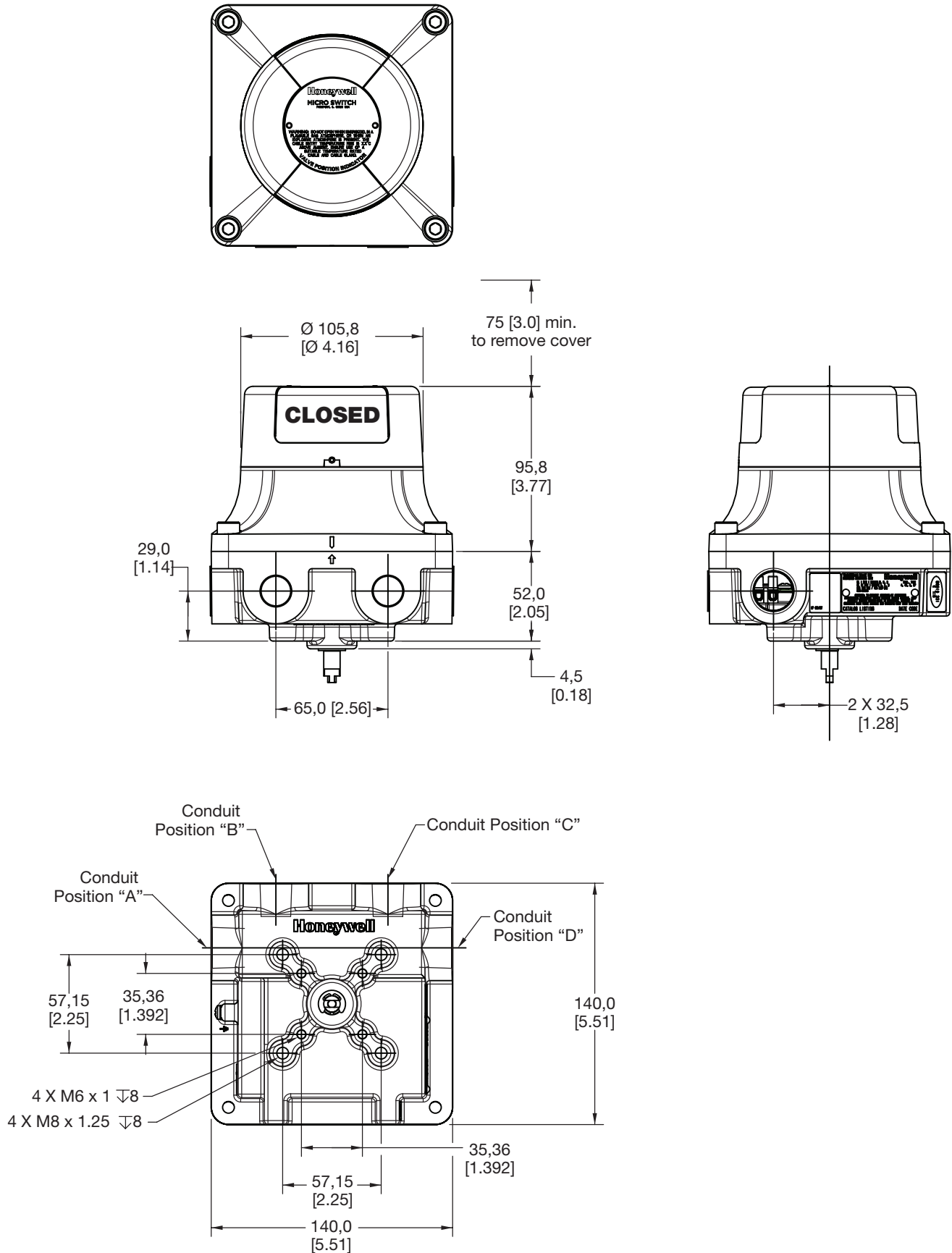
TABLE 3. CONDUIT PLUG ACCESSORIES

Size	Honeywell Part Number	Tightening Specification
1/2-14 NPT	VPZPA	Hand tight and then 1 to 2 full turns using a wrench
3/4-14 NPT	VPZPB	Hand tight and then 1 to 2 full turns using a wrench
M20 x 1.5	VPZPC	Hand tight and then 1/4 to 1 full turn using a wrench
M25 x 1.5	VPZPD	Hand tight and then 1/4 to 1 full turn using a wrench

VALVE POSITION INDICATOR FOR HAZ. LOCATIONS VPX SERIES

Issue R
32312068

Figure 17. Mounting Dimensions



EU Declaration of Conformity

Honeywell International Inc. hereby declare that the products identified below conform to the essential requirements of the EU Directive(s) listed below and that the products supplied are in conformity with the type described in any EU Type Examination Certificate (EU TEC) identified below. This declaration is issued under the sole responsibility of the manufacturer.

Manufacturer: Honeywell International Inc.
315 E. Stephenson St.
Freeport, Illinois 61032
USA

Product: VPX Series Valve Position Sensor

Directive (Amendments)

Conformity Details

ATEX 2014/34/EU

Standards applied: EN IEC 60079-0:2018
EN 60079-1:2014 & EN 60079-11:2012
EN 60079-31:2014

EU TEC No: DEMKO 16ATEX1733 X

Notified Body: Notified Body ID 0539
UL International Demko A/S
Borupvang 5A, 2750 Ballerup, Denmark

ATEX Markings II 2 GD Ex db IIC T6 Gb, Ex tb IIIC T85C Db
IP66, II 1 GD Ex ia IIC T4 Ga, Ex ia IIIC 135C
Db IP66

Signed on behalf of Honeywell International Inc. :



Gene Ottes, Quality Manager

DoC No: A511
Original Issue Date:

DoC Issue: 6

DoC Date: 14-July-2022

Page 1 of 2

WARRANTY/REMEDY

Honeywell warrants goods of its manufacture as being free of defective materials and faulty workmanship during the applicable warranty period. Honeywell's standard product warranty applies unless agreed to otherwise by Honeywell in writing; please refer to your order acknowledgment or consult your local sales office for specific warranty details. If warranted goods are returned to Honeywell during the period of coverage, Honeywell will repair or replace, at its option, without charge those items that Honeywell, in its sole discretion, finds defective. The foregoing is buyer's sole remedy and is in lieu of all other warranties, expressed or implied, including those of merchantability and fitness for a particular purpose. In no event shall Honeywell be liable for consequential, special, or indirect damages.

While Honeywell may provide application assistance personally, through our literature and the Honeywell web site, it is buyer's sole responsibility to determine the suitability of the product in the application.

Specifications may change without notice. The information we supply is believed to be accurate and reliable as of this writing. However, Honeywell assumes no responsibility for its use.

FOR MORE INFORMATION

Honeywell Sensing and Safety Technologies services its customers through a worldwide network of sales offices and distributors. For application assistance, current specifications, pricing or the nearest Authorized Distributor, visit [our website](#) or call:

USA/Canada	+1 302 613 4491
Latin America	+1 305 805 8188
Europe	+44 1344 238258
Japan	+81 (0) 3-6730-7152
Singapore	+65 6355 2828
Greater China	+86 4006396841

Honeywell Sensing and Safety Technologies

830 East Arapaho Road
Richardson, TX 75081
sps.honeywell.com/ast

32312068-R-ML | R | 9/22
© 2022 Honeywell International Inc. All rights reserved.

WARNING MISUSE OF DOCUMENTATION

- The information presented in this product sheet is for reference only. Do not use this document as a product installation guide.
- Complete installation, operation and maintenance information is provided in the instructions supplied with each product.

Failure to comply with these instructions could result in death or serious injury.

Honeywell