

Interactive Catalog Supplements Catalog PDFs

If you need detailed product information, or help choosing the right product for your application, see our [Interactive Catalog](#). Use the [Interactive Catalog](#) to access the most complete and up-to-date information available.

The [Interactive Catalog](#) provides an extensive collection of product specifications, application data, and technical literature that can be searched based on criteria you select.

This PDF catalog information was published in November 2000.



Sensing and Control
[Interactive
Catalog...](#)

**Click this icon to try
the Interactive Catalog.**

Sensing and Control

Honeywell Inc.

11 West Spring Street

Freeport, IL 61032

Enclosed Switches



FEATURES

- Pilot light (optional)
- Cast aluminum housing
- Side or flange mount

- Single and double conduit openings
- UL Recognized, file #E12252
- Grounding screw
- Sealed to NEMA 1, 3, 4, and 13

ACCESSORIES

Pilot Light 110-220 VAC (complete with seal) 15LT1
 Wiring Seal (for No. 14 type "S" rubber jacketed cord) 2PA1

ELECTRICAL RATING

Circuitry	Electrical Rating
<p>Single-pole Double-throw</p>	<p>A</p> <p>UL Rating 15 amp, 125, 250 or 480 VAC; 2 amp, 600 VAC; 1/8 Hp, 125 VAC; 1/4 Hp, 250 VAC; 1/2 amp, 125 VDC; 1/4 amp 250 VDC.</p>

BZG/BZH switches have a neoprene seal gasket between the housing halves, elastomer boot actuators, sealed conduit connectors, and die cast aluminum housing. Mounting holes are located outside the switch cavity and accept No. 10 screws. A neon pilot light can be added to switches having two conduit openings to indicate contact status.

STRAIGHT PLUNGER ACTUATED SWITCHES



Flange mount
with seal boot

ORDER GUIDE

Description	Elec. Rating	Mtg.	Catalog Listing		O.F. N oz.	P.T. max. mm in.	O.T. min. mm in.	D.T. max. mm in.
			1 Conduit Opening	2 Conduit Openings				
With seal boot. SPDT.	A	Side	BZG1-2RN	BZG2-2RN	2,50-6,68 9-24	1,98 .078	5,56 .219	0,05 .002
		Flange	BZH1-2RN					
Seal boot with roller plunger	A	Side	BZG1-2RN80	—				

ROLLER LEVER ACTUATED SWITCHES



Side mount
with seal boot

ORDER GUIDE

Description	Elec. Rating	Mtg.	Catalog Listing		O.F. N oz.	P.T. max. mm in.	O.T. min. mm in.	D.T. max. mm in.
			1 Conduit Opening	2 Conduit Openings				
With seal boot. Field adjustable 360° horizontally and 225° vertically. SPDT.	A	Side	BZG1-2RN2	BZG2-2RN2	2,78-5,57 10-20	4,78 .188	5,56 .219	0,15 .006
		Flange	BZH1-2RN2					

LOW FORCE ROD ACTUATED SWITCHES



Side mount
with seal boot

ORDER GUIDE

Rod can be cut or bent to suit application needs

Description	Elec. Rating	Mtg.	Catalog Listing		O.F. N oz.	P.T. max. mm in.	O.T. min. mm in.	D.T. max. mm in.
			1 Conduit Opening	2 Conduit Openings				
With seal boot. Field adjustable 360° horizontally and 250° vertically. SPDT.	A	Side	BZG1-2RN62	BZG2-2RN62	0,83-1,95 3-7	18,24 .718	21,29 .838	5,82 .229
		Flange	BZH1-2RN62					

N = Newtons

Characteristics: O.F. — Operating Force; P.T. — Pretravel; O.T. — Overtravel; D.T. — Differential Travel

For rapid response – off the shelf service, all **bold face** listings are normally stocked items.

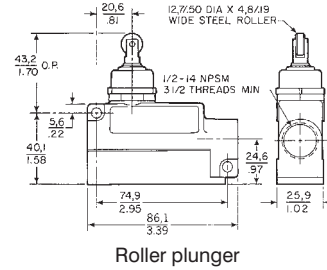
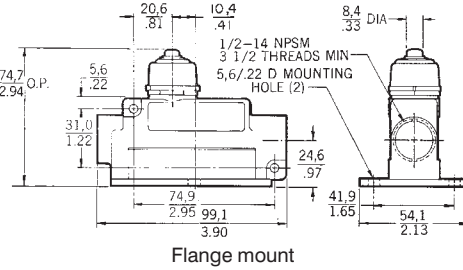
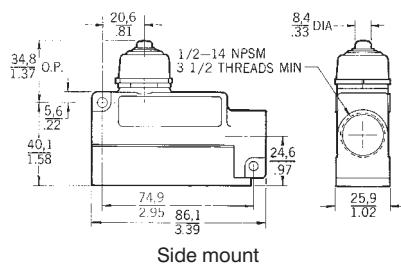
Enclosed Switches

REPLACEMENT PARTS

	Catalog Listing
Switching Units For Straight Plunger Switch For Roller or Rod Lever Switch	BZ-2RN770 BZ-2RN702
Actuators Roller Lever Rod Lever Seal Boot , including retaining hardware	6PA2 6PA140-E6 10PA2

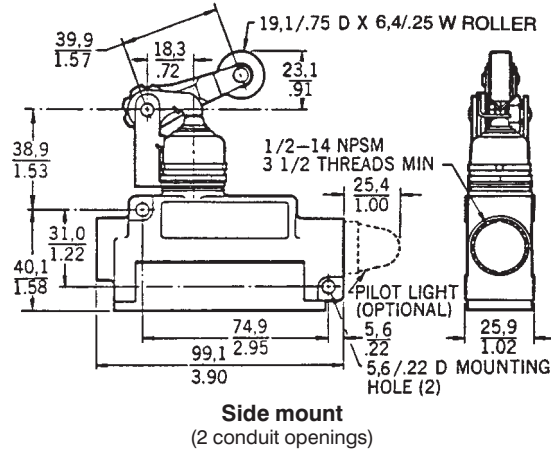
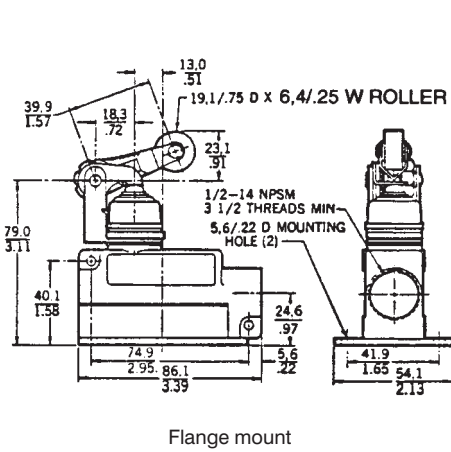
MOUNTING DIMENSIONS (For reference only)

PLUNGER

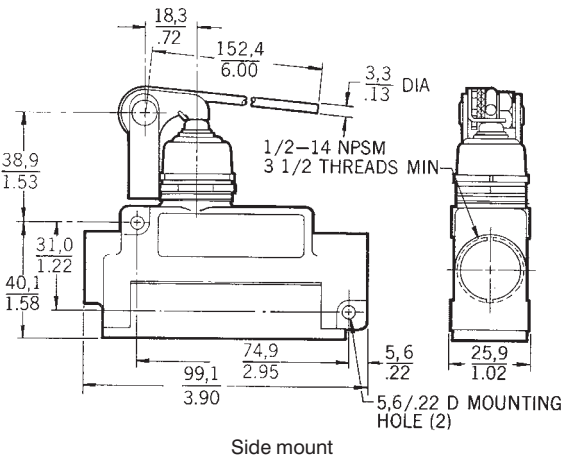
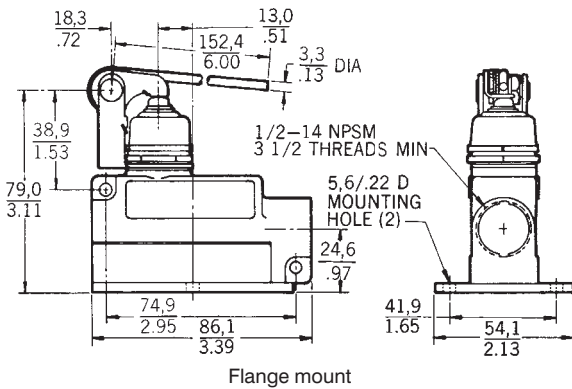


Limit/Enclosed

ROLLER LEVER



ROD



Key: $\frac{0,0}{0.00} = \frac{\text{mm}}{\text{inches}}$