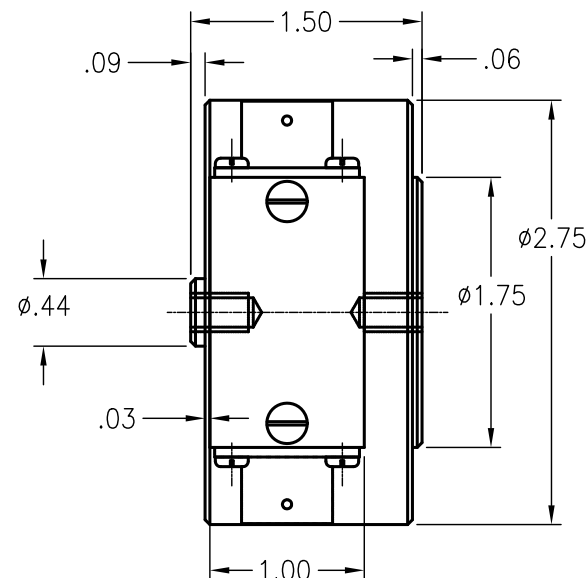
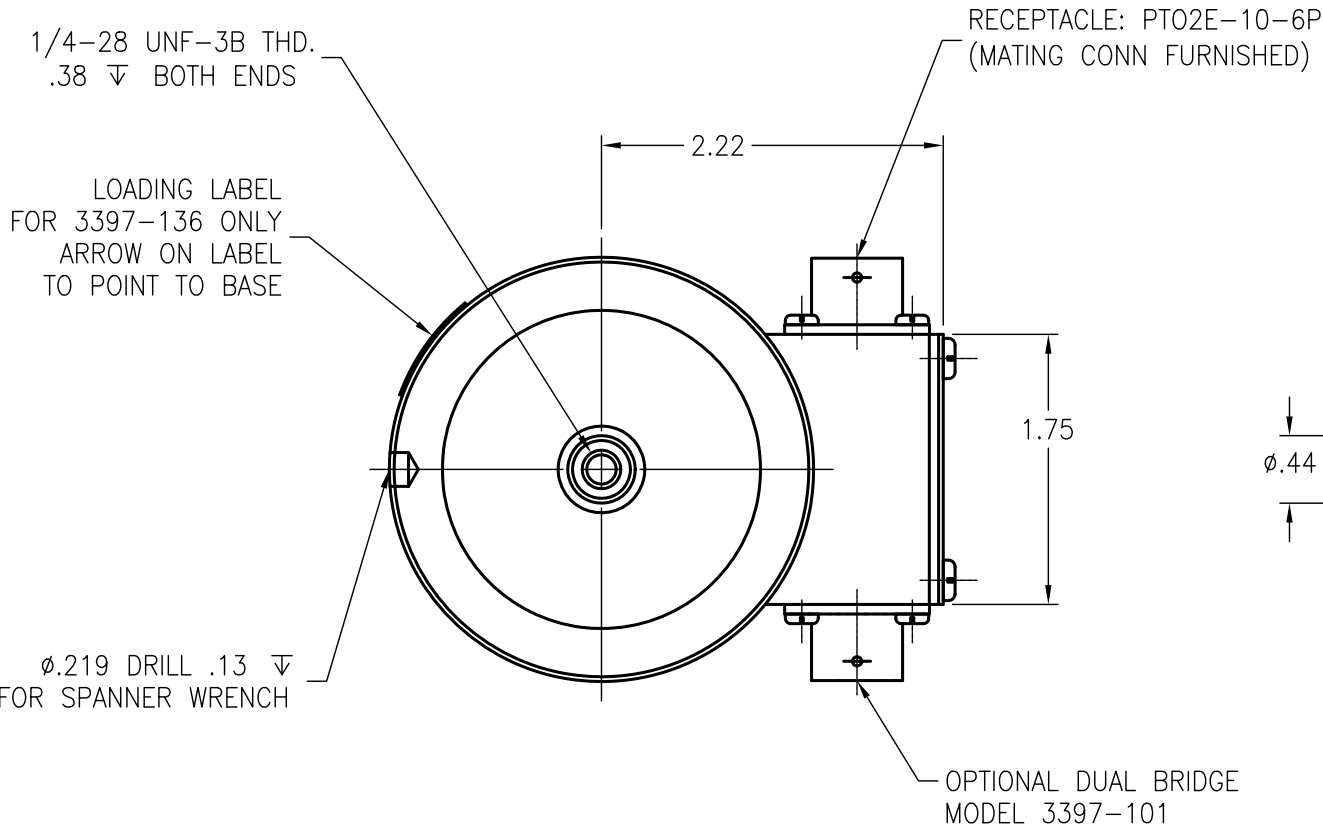


HONEYWELL PART NUMBER
-

REV	DOCUMENT	CHANGED BY	CHECK
A	-	JDS 09/01/09	AJK



HERMETICALLY SEALED UNIT

DESIGN UNITS: INCH			
TOLERANCES UNLESS NOTED:			
NO PLACES	X	±	-
ONE PLACE	.X	±	.1
TWO PLACE	.XX	±	.01
THREE PLACE	.XXX	±	.005
ANGLES	X	±	.5°
THIRD ANGLE PROJECTION			

DRAWN	KISH	02/03/1970
CHECK	KEMPAINEN	09/01/2009
THIS DRAWING COVERS A PROPRIETARY ITEM AND IS THE PROPERTY OF HONEYWELL. THIS DRAWING IS NOT TO BE COPIED OR USED WITHOUT THE PERMISSION OF HONEYWELL.		
INTERPRET PER ASME Y14.5M-1994 OTHER HONEYWELL ENGINEERING STANDARDS MAY APPLY		
AUTOCAD		

Honeywell				
TITLE LOAD CELL TENSION AND COMPRESSION				
SIZE	TYPE	CAGE CODE	DRAWING NAME	REV
A	E	51518	000-LW3397-D	A
SCALE	-	SHEET		1 OF 1