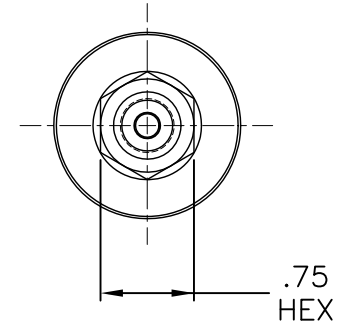
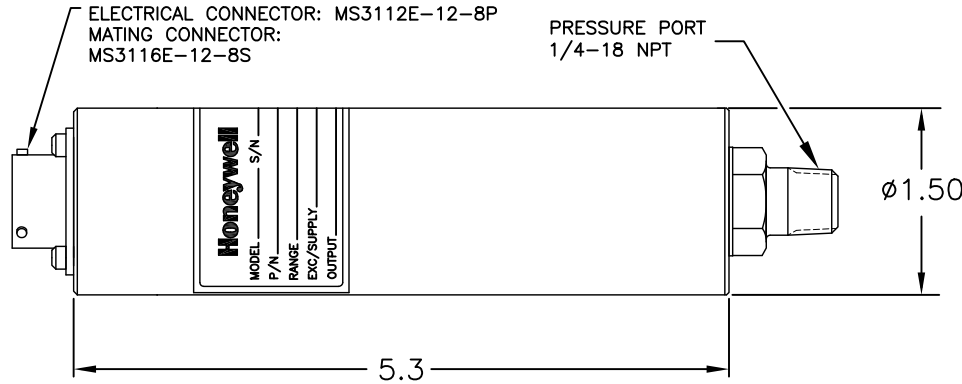


HONEYWELL PART NUMBER
-

REV	DOCUMENT	CHANGED BY	CHECK
C	0043204	JDS 11/11/09	MEM



SPECIFICATIONS

AVAILABLE RANGE: SEE TABLE

ACCURACY:

ANALOG (5 VDC): 0.1% TYP .2% MAX

DIGITAL (RS-485): 0.05% TYP .1% MAX

OUTPUT RESPONSE:

ANALOG: MAX 2500 UPDATES/SEC WITH <1 MILLISECOND STEP RESPONSE

DIGITAL: >300 READINGS/SECOND AT 115K BAUD RATE

COMPENSATED TEMPERATURE RANGE: SEE TABLE

OPERATING TEMPERATURE RANGE: -40° TO 180°F

SUPPLY: 15 TO 28 VDC @ 75 mA

060-H754-10-01	5 PSIA	-20° TO 200°F
060-H754-09	1,000 PSIA	40° TO 140°F
060-H754-08-02	150 PSIA	-4° TO 185°F
060-H754-08-01	150 PSIA	-20° TO 200°F
060-H754-08	150 PSIA	40° TO 140°F
060-H754-07	-	-
060-H754-06-01	50 PSIA	-4° TO 185°F
060-H754-06	50 PSIA	40° TO 140°F
060-H754-05-01	15 PSIA	-4° TO 185°F
060-H754-05	15 PSIA	40° TO 140°F
060-H754-04-01	250 PSIA	-4° TO 185°F
060-H754-04	250 PSIA	40° TO 140°F
060-H754-03-01	750 PSIA	-4° TO 185°F
060-H754-03	750 PSIA	40° TO 140°F
060-H754-02-01	500 PSIA	-4° TO 185°F
060-H754-02	500 PSIA	40° TO 140°F
060-H754-01-01	100 PSIA	-4° TO 185°F
060-H754-01	100 PSIA	40° TO 140°F
PART NUMBER	RANGE	TEMP. COMP.

WIRING CODE

PIN A = RS-485 A(+)/RS-232 Tx D

PIN B = 0-5 VDC ANALOG OUTPUT

PIN C = ANALOG OUTPUT RETURN

PIN D = N/C

PIN E = SUPPLY RETURN

PIN F = (+) SUPPLY

PIN G = RS-485 B (-)/RS-232 Rx D

PIN H = RS-485 GROUND/RS-232 GROUND

DESIGN UNITS: INCH		
TOLERANCES UNLESS NOTED:		
NO PLACES	X	±
ONE PLACE	.X	±
TWO PLACE	.XX	±
THREE PLACE	.XXX	±
ANGLES	X	±
THIRD ANGLE PROJECTION		

DRAWN	EPSTEIN	05/26/2004
CHECK	FRESCO	05/27/2004
THIS DRAWING COVERS A PROPRIETARY ITEM AND IS THE PROPERTY OF HONEYWELL. THIS DRAWING IS NOT TO BE COPIED OR USED WITHOUT THE PERMISSION OF HONEYWELL.		
INTERPRET PER ASME Y14.100-2000 OTHER HONEYWELL ENGINEERING STANDARDS MAY APPLY		
AUTOCAD 2D		

Honeywell

TITLE ODD ABSOLUTE DIGITAL PRESSURE TRANSDUCER

SIZE	TYPE	CAGE CODE	DRAWING NAME	REV
B	I	51518	000-H754-00	C
SCALE NONE			SHEET 1 OF 1	