

Model 911FMD

High Range Wet/Wet Differential Pressure Transducer



DESCRIPTION

The two-wire Model 911FMD transmitter has stainless steel diaphragms for use with liquid, gas, or vapors in hazardous environments. These transducers are corrosion and shock resistant, as well as reverse polarity protected. The two-wire, 4 mA to 20

mA current output permits long cable runs with a high signal-to-noise ratio. This model is constructed with stainless steel, sealed hermetically.

FEATURES

- 0.25 % accuracy
- 1000 psid to 10000 psid
- 4 mA to 20 mA two-wire (standard)

Model 911FMD

PERFORMANCE SPECIFICATIONS

Characteristic	Measure
Pressure ranges (psid)	1000, 2000, 3000, 5000, 7500, 10000
Accuracy	±0.25 % full scale
Linearity	±0.15 % full scale (typical)
Hysteresis	±0.10 % full scale (typical)
Non-repeatability	±0.05 % full scale (typical)
Output (standard)	4 mA to 20 mA
Max. line pressure	Full scale capacity +2000 psi
Resolution	Infinite

ENVIRONMENTAL SPECIFICATIONS

Characteristic	Measure
Temperature, operating	18 °C to 82 °C [0 °F to 180 °F]
Temperature, compensated	16 °C to 71 °C [60 °F to 160 °F]
Temperature, effect, zero	±1.2 % full scale/ 38 °C [100 °F]
Temperature, effect, span	±1.2 % reading/ 38 °C [100 °F]

ELECTRICAL SPECIFICATIONS

Characteristic	Measure
Strain gage type	Bonded foil
Excitation (calibration)	15 Vdc to 50 Vdc
Shunt calibration data	Included
Electrical termination (std)	22 GA cable with case ground 609,6 mm [2 ft], 1/2-14 NPT

MECHANICAL SPECIFICATIONS

Characteristic	Measure
Media	Liquid
Overload-safe (either side)	
1000 to 3000 psid	100 % over capacity
5000 to 10000 psid	50 % over capacity
Pressure port	1/4-18 NPT female (2)
Wetted parts material	17-4 PH stainless steel
Case material	Stainless steel

WIRING CODES

CABLE/TWO-WIRE CURRENT/ 4 MA TO 20 MA	
Red	(+) supply
Black	(+) output (4 mA to 20 mA)
White	Case ground

RANGE CODES

Range Code	Available ranges
CV	1000 psid
DL	2000 psid
DN	3000 psid
DR	5000 psid
DT	7500 psid
DV	10000 psid

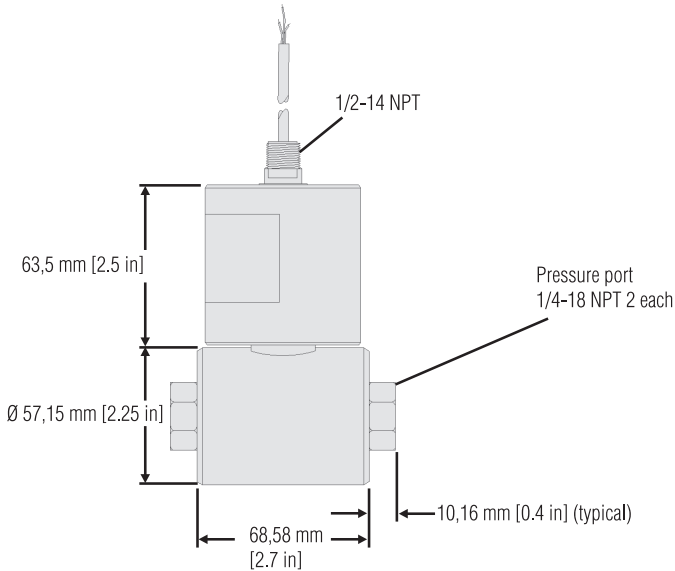
OPTION CODES

	Many range/option combinations are available in our quick-ship and fast-track manufacture programs. Please see http://measurementsensors.honeywell.com for updated listings.
Pressure ranges (psid)	1000, 2000, 3000, 5000, 7500, 10000
Temperature compensation	1b. 60 °F to 160 °F
Internal amplifiers	2k. 4 mA to 20 mA (two-wire)
Pressure ports	5a. 1/4-18 NPT female (2)
Electrical termination	6j. 22 GA cable with case ground 609,6 mm [2 ft], 1/2 NPT to 14 NPT
Special calibration	9a. 10 point (5 up/5 down) 20% increments @ 20 °C [68 °F] 9b. 20 point (10 up/10 down) 10% increments @ 20 °C [68 °F]
Wetted diaphragm	17-4 PH stainless steel

Model 911FMD

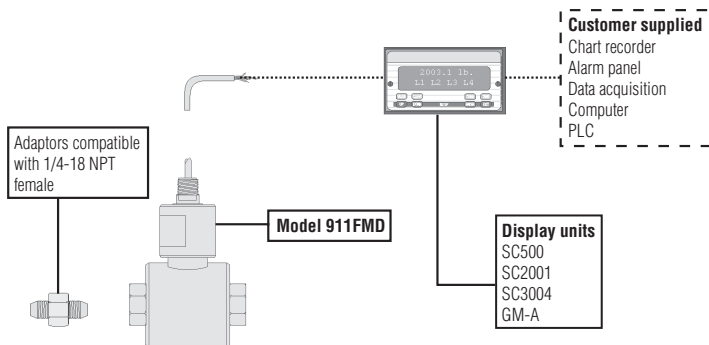
High Range Wet/Wet Differential Pressure Transducer

MOUNTING DIMENSIONS AND CHARACTERISTICS



For reference only

TYPICAL SYSTEM DIAGRAM



Find out more

Honeywell serves its customers through a worldwide network of sales offices, representatives and distributors. For application assistance, current specifications, pricing or name of the nearest Authorized Distributor, contact your local sales office.

To learn more about Honeywell's test and measurement products, call **+1-614-850-5000**, visit **<http://measurementsensors.honeywell.com>**, or e-mail inquiries to **info.tm@honeywell.com**

Warranty. Honeywell warrants goods of its manufacture as being free of defective materials and faulty workmanship. Honeywell's standard product warranty applies unless agreed to otherwise by Honeywell in writing; please refer to your order acknowledgement or consult your local sales office for specific warranty details. If warranted goods are returned to Honeywell during the period of coverage, Honeywell will repair or replace, at its option, without charge those items it finds defective. **The foregoing is buyer's sole remedy and is in lieu of all warranties, expressed or implied, including those of merchantability and fitness for a particular purpose. In no event shall Honeywell be liable for consequential, special, or indirect damages.**

While we provide application assistance personally, through our literature and the Honeywell web site, it is up to the customer to determine the suitability of the product in the application.

Specifications may change without notice. The information we supply is believed to be accurate and reliable as of this printing. However, we assume no responsibility for its use.

WARNING **PERSONAL INJURY**

- DO NOT USE these products as safety or emergency stop devices or in any other application where failure of the product could result in personal injury.

Failure to comply with these instructions could result in death or serious injury.

WARNING **MISUSE OF DOCUMENTATION**

- The information presented in this datasheet is for reference only. DO NOT USE this document as product installation information.
- Complete installation, operation and maintenance information is provided in the instructions supplied with each product.

Failure to comply with these instructions could result in death or serious injury.