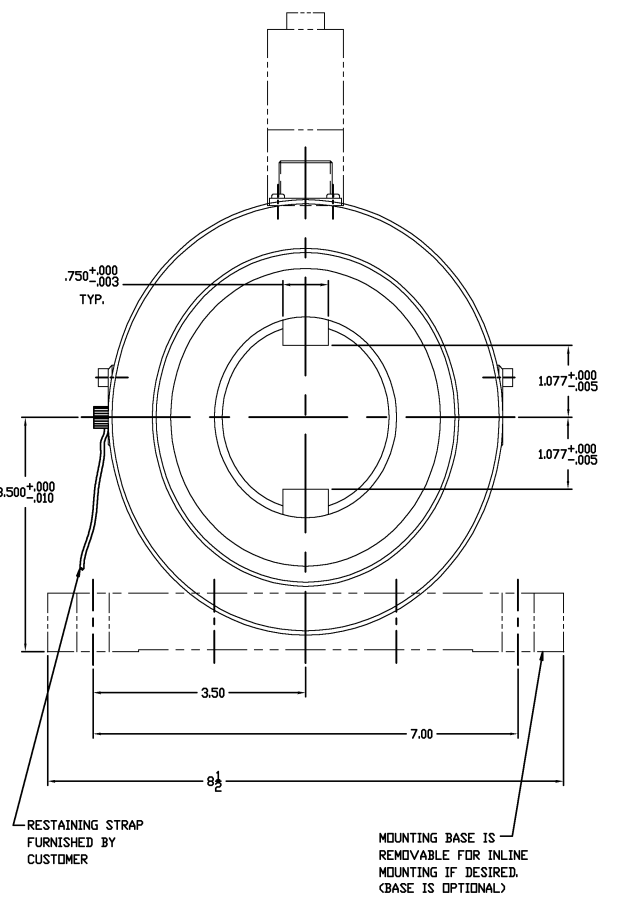
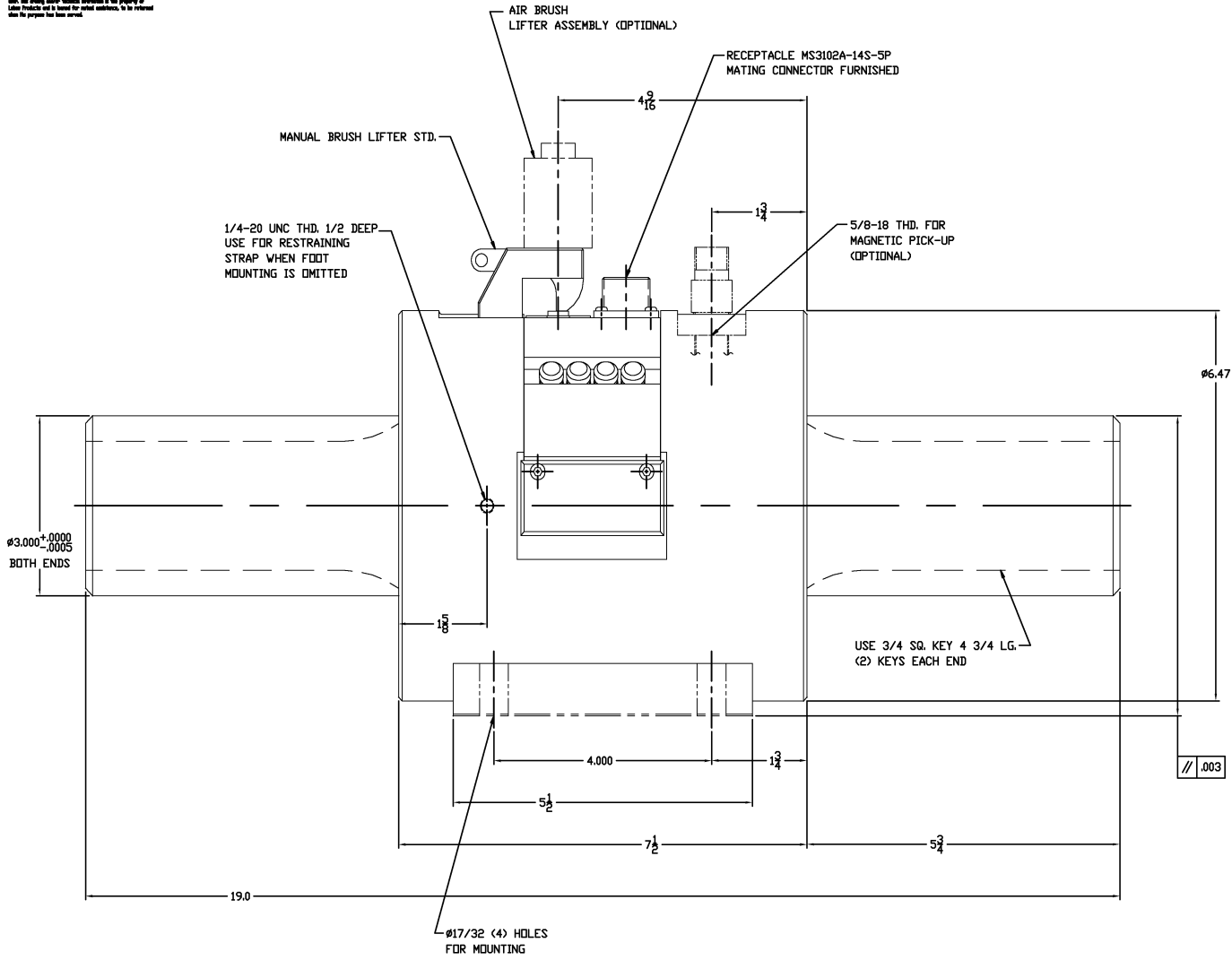


NOTICE TO PERSONS RECEIVING THIS DRAWING AND/OR TECHNICAL INFORMATION: Lebow Products claims proprietary rights in the related technical herein. The drawing and/or technical information is loaned to customer for engineering information only and may not be reproduced or used in manufacture without express or implied consent of Lebow Products. In the event of any such use, Lebow Products shall be notified immediately. Lebow Products and its related companies, to be retained when the project has been served.



PERFORMANCE SPEC. S-1107
SPEED ~ 4,000 R.P.M. MAX
CAPACITIES LISTED IN CHART

100,000	1107-100K
50,000	1107-50K
CAP. IN. LBS	MODEL NO.

REV.	DATE	PART NO.	DESCRIPTION	REV.
1				
Lebow Products Lebow Products Troy, Michigan				
UNLESS OTHERWISE SPECIFIED LINEAR DIMENSIONS ARE IN INCHES REMOVE ALL BURRS & ANGULAR DIMENSIONS ARE IN DEGREES SHARP EDGES DIMENSION LIMITS HELD AFTER PLATING SURFACE FINISH 125 ✓				
TOLERANCES				DR 20 T.A.
DRILLED HOLES	TWO PLACE DECIMALS	THREE PLACE DECIMALS	ANGLES	DR 20
Ø.001	±.001	±.0005	±.5	DR 20
SCALE	REF. DIMS	FRACTIONAL DIMENSIONS	WTL.	DR 20
NONE	Ø-12969			1107
TITLE:				REV.
TORQUEMETER OUTSIDE DIMENSIONS				C-1107-D