

Installation Instructions for the High Sensitivity Latching Digital Hall-effect Sensor ICs: SS360NT, SS360ST, SS360ST-10K, SS460S, SS460S-T2, SS460S-LP

50074541

Issue D

GENERAL INFORMATION

CAUTION ELECTROSTATIC DISCHARGE DAMAGE

Ensure proper ESD precautions are followed when handling this product.

Failure to comply with these instructions may result in product damage.



- **Surface mount (SS360NT, SS360ST, SS360ST-10K):** Use infrared reflow process with active flux, lead-free solder. Do not exceed peak temperature of 245°C [473°F] for a maximum of 10 seconds.
- **Through-hole leads (SS460S, SS460S-T2, SS460S-LP):** Wave solder at 250°C to 260°C [482°F to 500°F] for a maximum of three seconds. Burrs are allowed only if full lead length will pass through a 0,68 mm [0.027 in] dia. hole.

SOLDERING AND ASSEMBLY

CAUTION IMPROPER SOLDERING

- Ensure leads are adequately supported during any forming/shearing operation so that they are not stressed inside the plastic case.
- Limit exposure to high temperatures.

Failure to comply with these instructions may result in product damage

CLEANING

CAUTION IMPROPER CLEANING

- Do not use pressure wash. High-pressure stream could force contaminants into the package.

Failure to comply with these instructions may result in product damage.

Table 1. Electrical and Environmental Specifications

(At $V_s = 3.0$ Vdc to 24.0 Vdc, 20 mA load, $T_A = -40^\circ\text{C}$ to 150°C [-40°F to 302°F] except where otherwise specified.)

Characteristic	Condition	Min.	Typ.	Max.	Unit
Supply voltage:					
SS360NT, SS360ST, SS360ST-10K	-40°C to 125°C [-40°F to 257°F]	3.0	—	24.0	Vdc
SS360NT, SS360ST, SS360ST-10K	150°C [302°F]	3.0	—	12.0	
SS460S, SS460S-T2, SS460S-LP	—	3.0	—	24.0	
Supply current	$V_{\text{supply}} = 3.0$ Vdc at 25°C [77°F]	—	3.5	6.0	mA
	—	—	—	8.0	
Output current	—	—	—	20	mA
V_{sat} :					
SS360NT, SS360ST, SS360ST-10K	Gauss > 55	—	—	0.6	V
SS460S, SS460S-T2, SS460S-LP	15 mA, Gauss > 55	—	—	0.6	
Output leakage current	Gauss < -55	—	—	10.0	μA
Rise/fall time	25°C [77°F]	—	—	1.5	μs
Thermal resistance:					
SS360NT, SS360ST, SS360ST-10K	single layer, single sided PCB	—	303	—	°C/W
SS460S, SS460S-T2, SS460S-LP	—	—	233	—	
Magnetic characteristics:					
operate (Bop)	—	5	30	55	Gauss
release (Brp)	—	-55	-30	-5	
differential	—	40	60	80	
Operating temperature	—	-40 [-40]	—	150 [302]	°C [°F]
Storage temperature:					
SS360NT, SS360ST, SS360ST-10K	—	-40 [-40]	—	150 [302]	°C [°F]
SS460S, SS460S-T2, SS460S-LP	—	-40 [-40]	—	165 [329]	
Soldering temperature and time:					
SS360NT, SS360ST, SS360ST-10K	infrared reflow process: peak temperature 245°C [473°F] for 10 s max.				
SS460S, SS460S-T2, SS460S-LP	wave soldering process: 250°C to 260°C [482°F to 500°F] for 3 s max.				

High Sensitivity Latching Digital Hall-effect Sensor ICs:

SS360NT, SS360ST, SS360ST-10K, SS460S, SS460S-T2, SS460S-LP

Issue D

50074541

NOTICE

These Hall-effect sensor ICs may have an initial output in either the ON or OFF state if powered up with an applied magnetic field in the differential zone (applied magnetic field >Brp and <Bop). Honeywell recommends allowing 10 μ s after supply voltage has reached 5 V (SS360NT, SS360ST, SS360ST-10K) or 3 V (SS460S, SS460S-T2, SS460S-LP) for the output voltage to stabilize.

NOTICE

The magnetic field strength (Gauss) required to cause the switch to change state (operate and release) will be as specified in the magnetic characteristics. To test the switch against the specified limits, the switch must be placed in a uniform magnetic field.

Table 2. Absolute Maximum Specifications

Characteristic	Min.	Typ.	Max.	Unit
Supply voltage	-26.0	—	26.0	V
Applied output voltage	-0.5	—	26.0	V
Output current	—	—	25	mA
Magnetic flux	—	—	no limit	Gauss

NOTICE

Absolute maximum ratings are the extreme limits the device will momentarily withstand without damage to the device. Electrical and mechanical characteristics are not guaranteed if the rated voltage and/or currents are exceeded, nor will the device necessarily operate at absolute maximum ratings.

Figure 1. Sensor IC Block Diagram

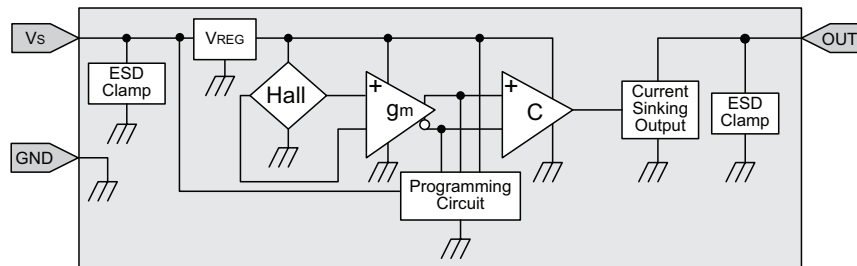


Figure 2. Typical Magnetic Characteristics vs Ambient Temperature at Supply Voltages

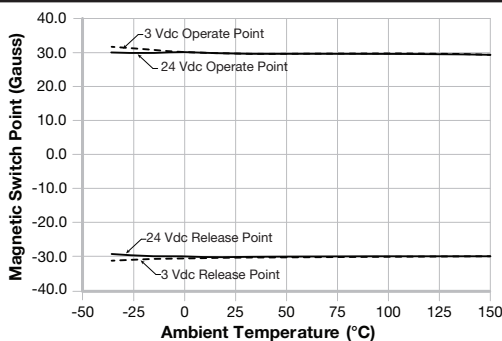


Figure 3. SS360NT, SS360ST, SS360ST-10K Maximum Rated Supply Voltage vs Temperature

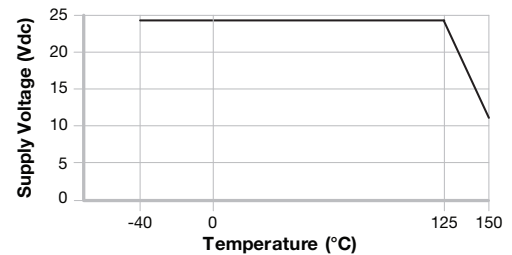
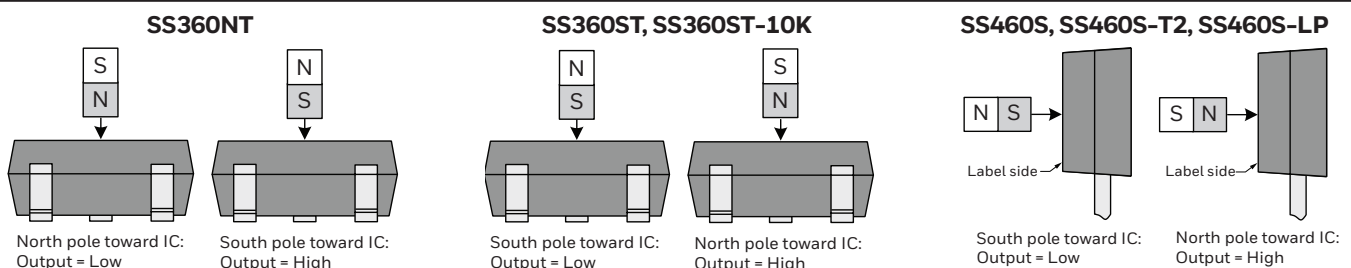


Figure 4. Magnetic Activation



High Sensitivity Latching Digital Hall-effect Sensor ICs:

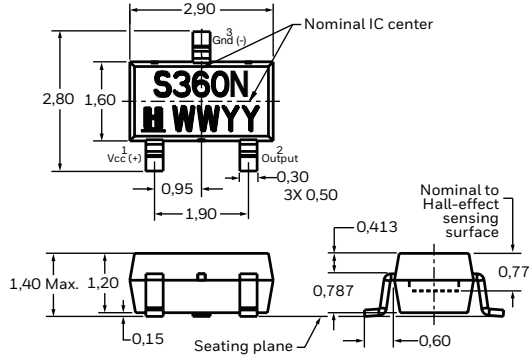
SS360NT, SS360ST, SS360ST-10K, SS460S, SS460S-T2, SS460S-LP

Issue D

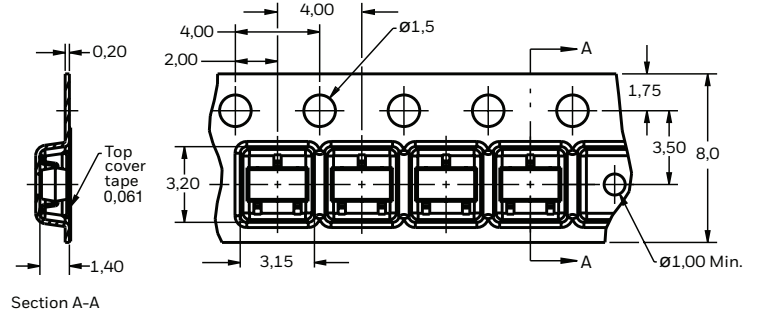
50074541

Figure 5. SS360NT, SS360ST and SS360ST-10K Sensor IC, Tape and Reel Mounting Dimensions (For reference only. mm)

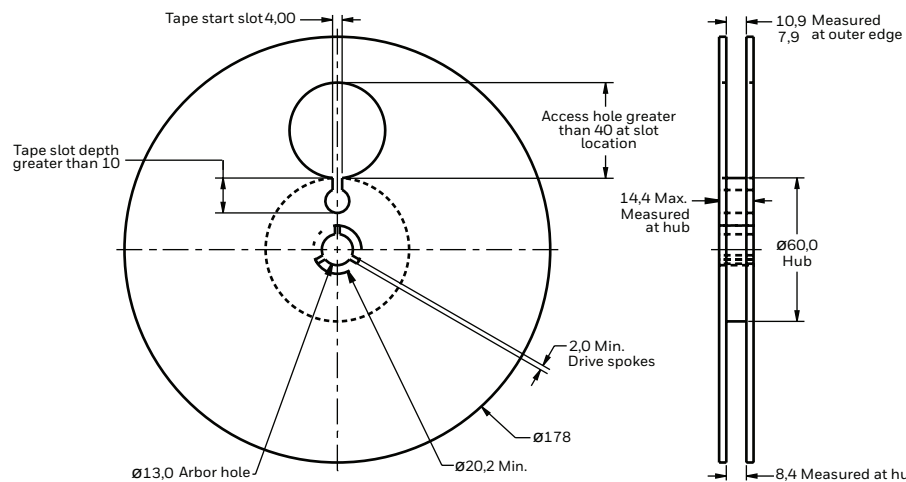
SS360NT, SS360ST, SS360ST-10K Sensor IC



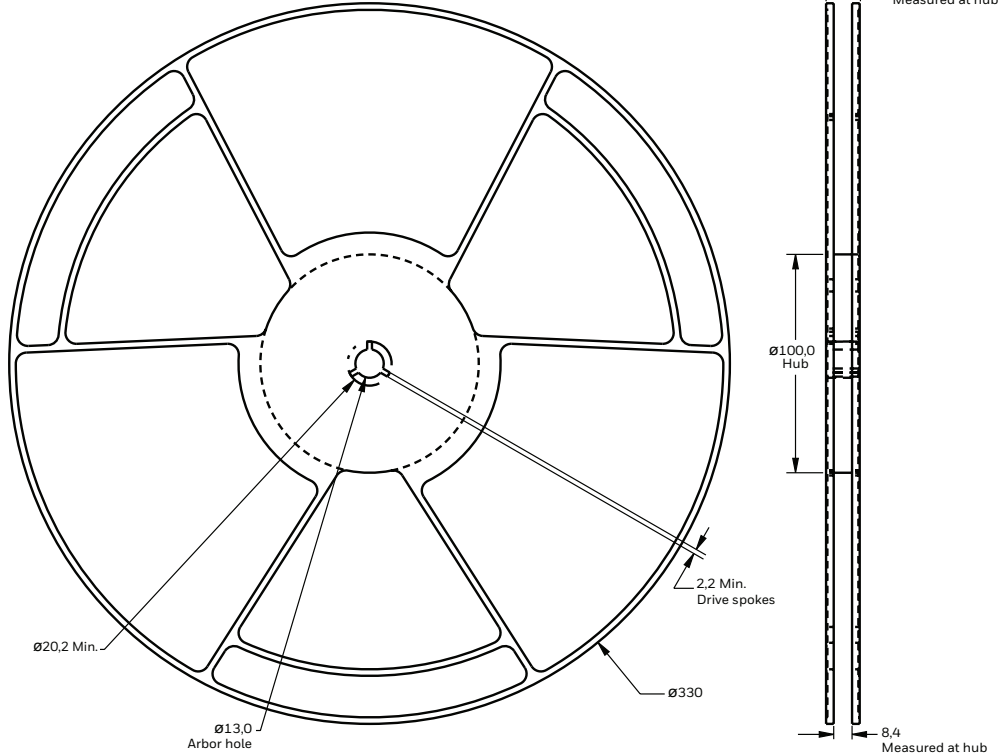
SS360NT, SS360ST, SS360ST-10K Pocket Tape



SS360NT, SS360ST 178 mm Reel



SS360ST-10K 330 mm Reel



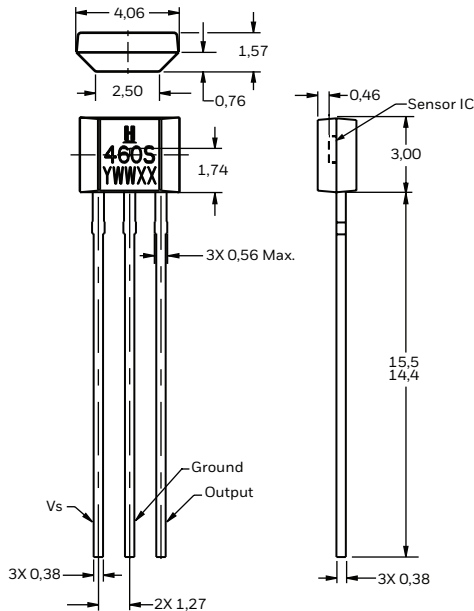
High Sensitivity Latching Digital Hall-effect Sensor ICs:

SS360NT, SS360ST, SS360ST-10K, SS460S, SS460S-T2, SS460S-LP

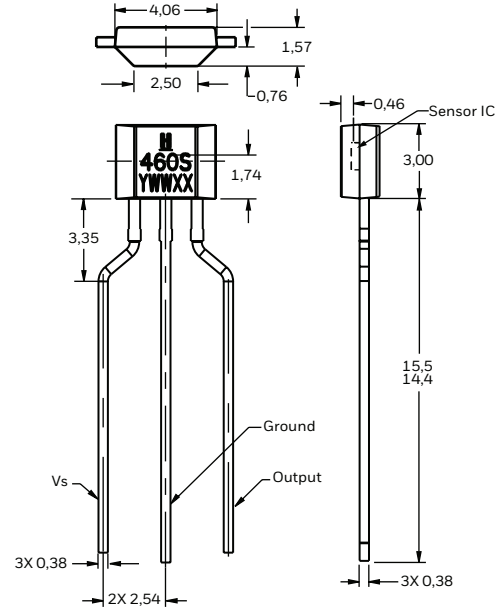
Issue D
50074541

Figure 6. SS460S Sensor IC, SS460S-T2 and SS460S-T3 Sensor IC and Ammopack Tape-in-Box Mounting Dimensions (For reference only. mm)

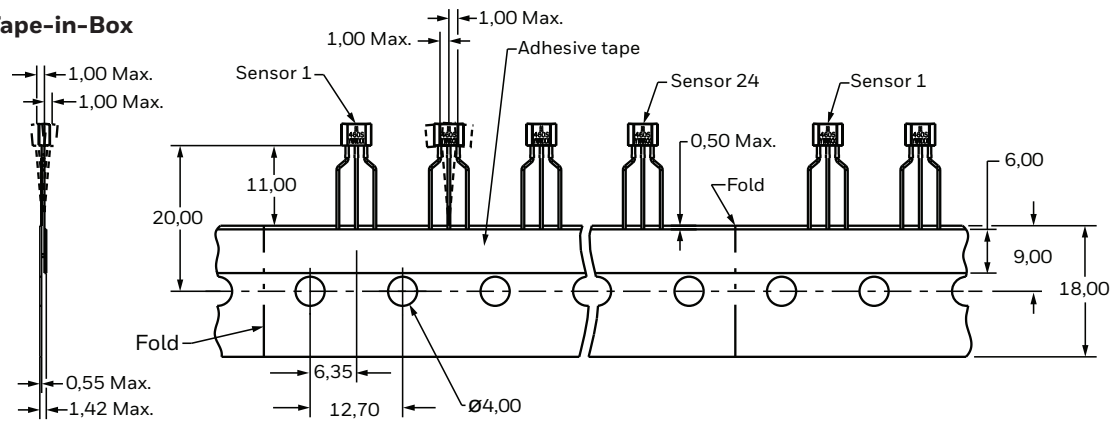
SS460S, SS460S-T3 Sensor IC



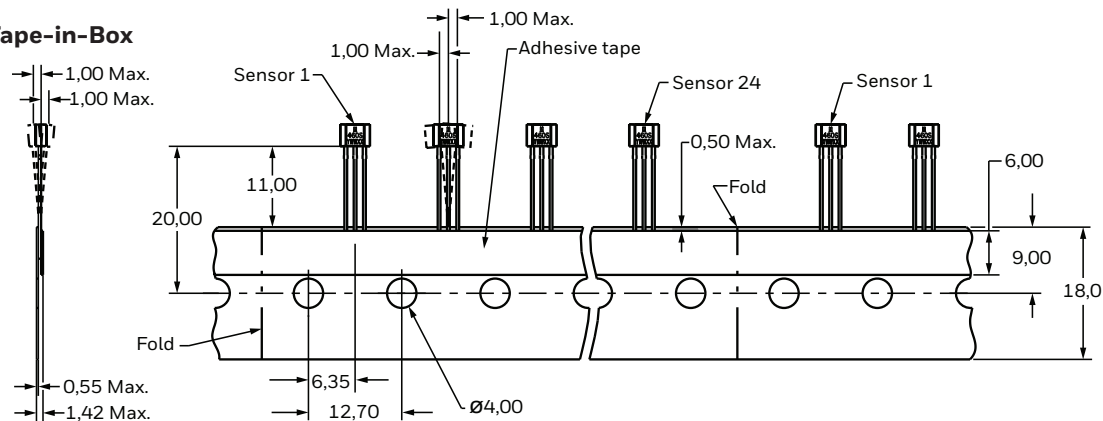
SS460S-T2 Sensor IC



SS460S-T2 Ammopack Tape-in-Box



SS460S-T3 Ammopack Tape-in-Box



Note: Ensure the minimum hole size in the PCB is 0,68 mm dia. based on the IPC 2222 Level B standard.

High Sensitivity Latching Digital Hall-effect Sensor ICs:

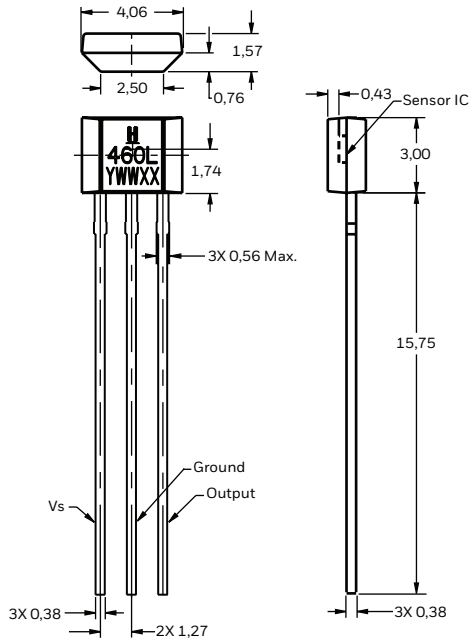
SS360NT, SS360ST, SS360ST-10K, SS460S, SS460S-T2, SS460S-LP

Issue D

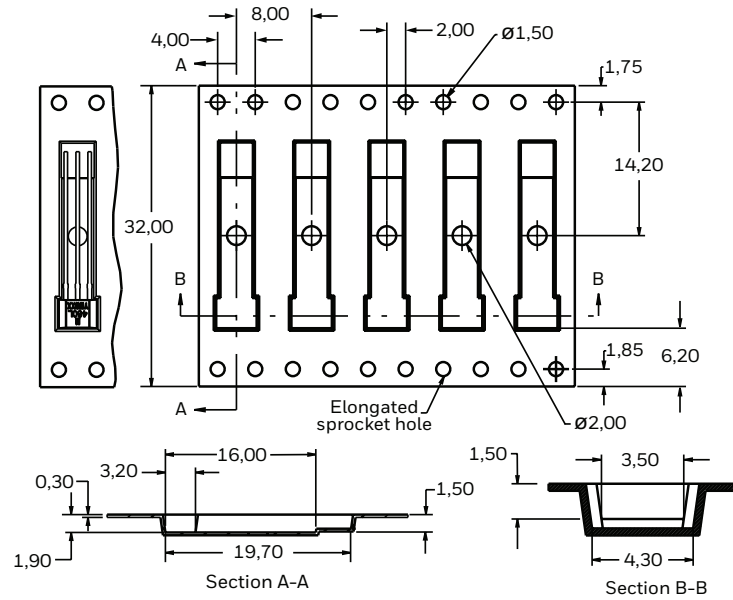
50074541

Figure 7. SS460-LP Sensor IC, Tape and Reel Mounting Dimensions (For reference only. mm)

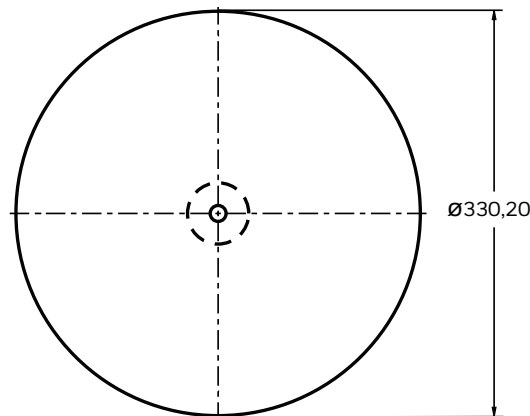
SS460-LP Sensor IC



SS460-LP Pocket Tape



SS460-LP 330 mm Reel



- Unroll direction →
- Branded face outward
- Device body on left side
- Elongated sprocket holes on left side
- Pin 1 on leading device edge

⚠️ WARNING

PERSONAL INJURY

DO NOT USE these products as safety or emergency stop devices or in any other application where failure of the product could result in personal injury.

Failure to comply with these instructions could result in death or serious injury.

Warranty/Remedy

Honeywell warrants goods of its manufacture as being free of defective materials and faulty workmanship during the applicable warranty period. Honeywell's standard product warranty applies unless agreed to otherwise by Honeywell in writing; please refer to your order acknowledgement or consult your local sales office for specific warranty details. If warranted goods are returned to Honeywell during the period of coverage, Honeywell will repair or replace, at its option, without charge those items that Honeywell, in its sole discretion, finds defective.

The foregoing is buyer's sole remedy and is in lieu of all other warranties, expressed or implied, including those of merchantability and fitness for a particular purpose. In no event shall Honeywell be liable for consequential, special, or indirect damages.

While Honeywell may provide application assistance personally, through our literature and the Honeywell web site, it is buyer's sole responsibility to determine the suitability of the product in the application.

Specifications may change without notice. The information we supply is believed to be accurate and reliable as of this writing. However, Honeywell assumes no responsibility for its use.

For more information

Honeywell Sensing and Internet of Things services its customers through a worldwide network of sales offices and distributors. For application assistance, current specifications, pricing or the nearest Authorized Distributor, visit sensing.honeywell.com or call:

Asia Pacific	+65 6355-2828
Europe	+44 (0) 1698 481481
USA/Canada	+1-800-537-6945

Honeywell Sensing and Internet of Things

9680 Old Bailes Road
Fort Mill, SC 29707
www.honeywell.com

50074541-D-EN | D | 04/19
© 2019 Honeywell International Inc.

Honeywell