

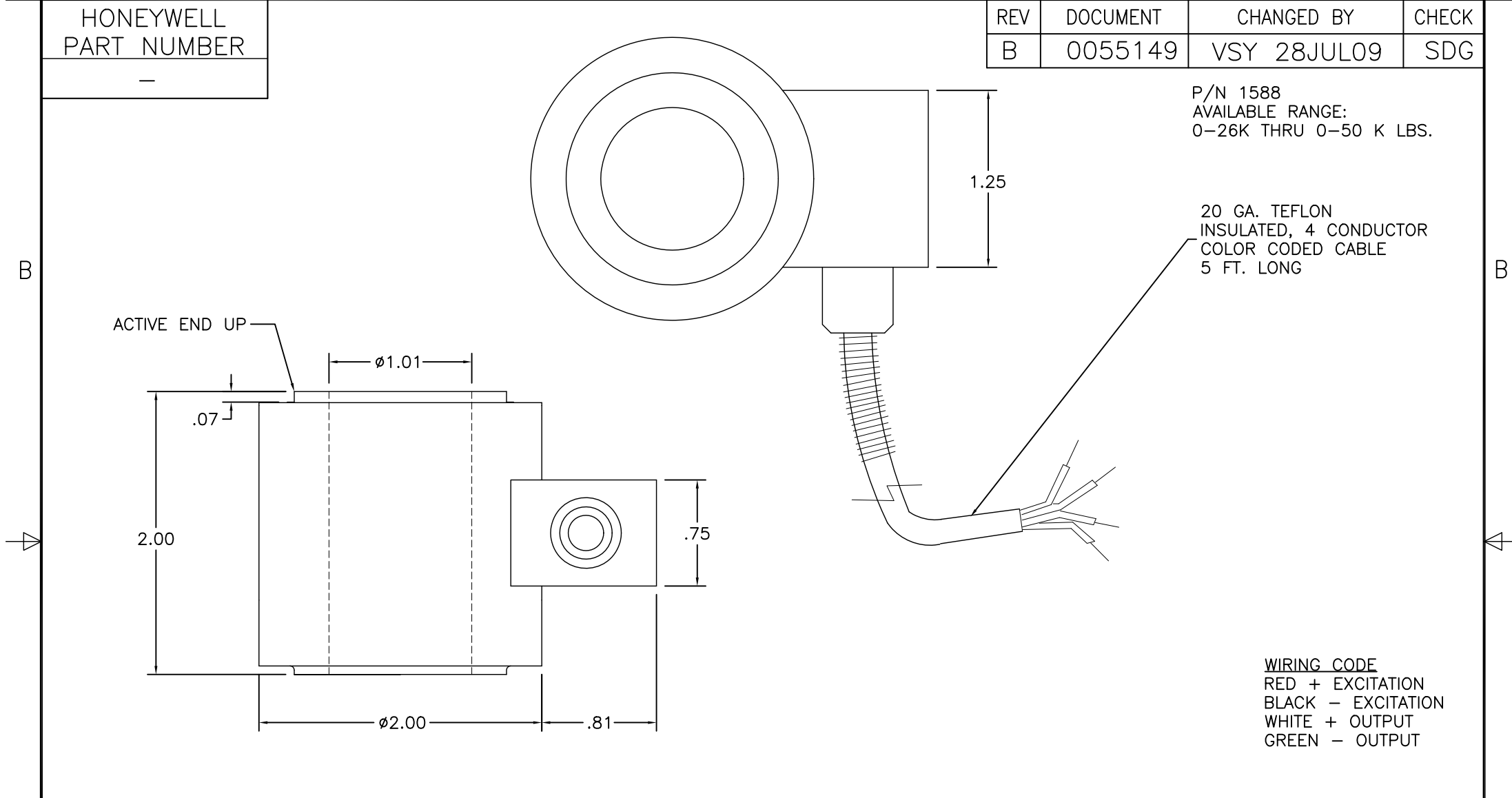
| |
|--------------------------|
| HONEYWELL PART NUMBER |
| - |

| | | | |
|-----|----------|-------------|-------|
| REV | DOCUMENT | CHANGED BY | CHECK |
| B | 0055149 | VSY 28JUL09 | SDG |

P/N 1588
AVAILABLE RANGE:
0-26K THRU 0-50 K LBS.

20 GA. TEFLON
INSULATED, 4 CONDUCTOR
COLOR CODED CABLE
5 FT. LONG

WIRING CODE
RED + EXCITATION
BLACK - EXCITATION
WHITE + OUTPUT
GREEN - OUTPUT



| | |
|---|--------------------------|
| A | DESIGN UNITS: INCH |
| | TOLERANCES UNLESS NOTED: |
| | NO PLACES X ± - |
| | ONE PLACE .X ± .2 |
| | TWO PLACE .XX ± .02 |
| | THREE PLACE .XXX ± .010 |
| | ANGLES X ± .5° |
| | THIRD ANGLE PROJECTION |
| | |

| | | |
|--|----|---------|
| DRAWN | SR | 25FEB86 |
| CHECK | - | - |
| THIS DRAWING COVERS A PROPRIETARY ITEM AND IS THE PROPERTY OF HONEYWELL. THIS DRAWING IS NOT TO BE COPIED OR USED WITHOUT THE PERMISSION OF HONEYWELL. | | |
| INTERPRET PER ASME Y14.5M-1994 OTHER HONEYWELL ENGINEERING STANDARDS MAY APPLY | | |
| AUTOCAD | | |

| | | | | |
|---|------|-----------|--------------|-----|
| Honeywell | | | | |
| TITLE OUTLINE, MODEL "TH" LOADCELL W/CABLE EXIT | | | | |
| SIZE | TYPE | CAGE CODE | DRAWING NAME | REV |
| A | I | 51518 | 000-1776-00 | B |
| SCALE | - | | SHEET | |