

FD-55111-C

4

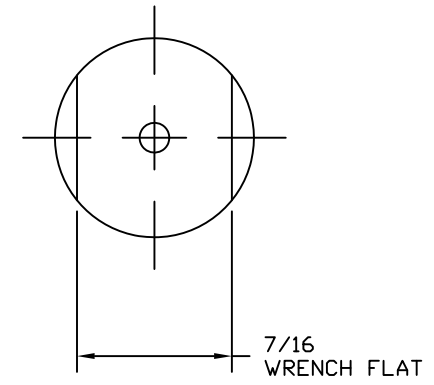
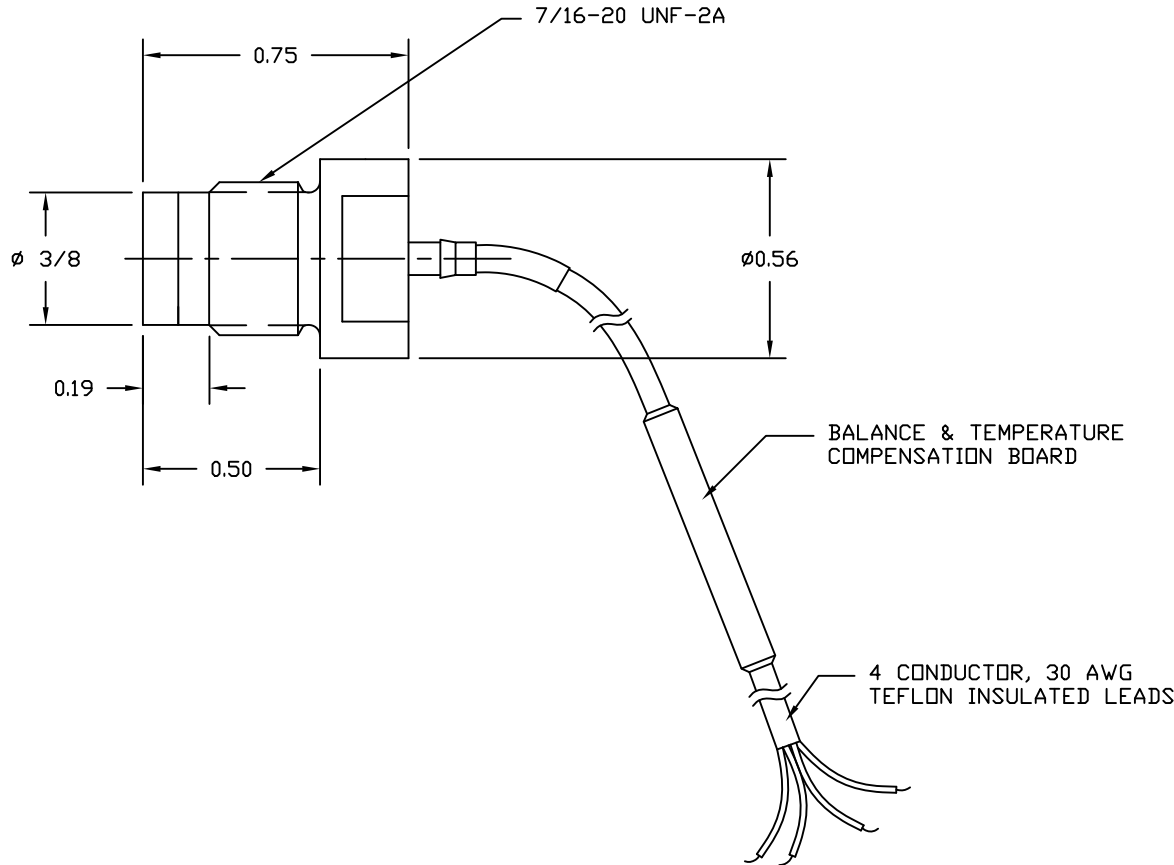
3

2

1


HONEYWELL PART NUMBER
-

REV	DOCUMENT	CHANGED BY	CHECK
G	0046900	TSY 5/5/2010	TSY



WIRING CODE

RED	(+)	EXCITATION
BLACK	(-)	EXCITATION
WHITE	(+)	OUTPUT
GREEN	(-)	OUTPUT

DESIGN UNITS: INCH TOLERANCES UNLESS NOTED: NO PLACES X ± - ONE PLACE .X ± .2 TWO PLACE .XX ± .02 THREE PLACE .XXX ± .010 ANGLES X ± 1° THIRD ANGLE PROJECTION 	DRAWN	-	03/09/1971	Honeywell				
	CHECK	MER	10/10/1996					
	THIS DRAWING COVERS A PROPRIETARY ITEM AND IS THE PROPERTY OF HONEYWELL. THIS DRAWING IS NOT TO BE COPIED OR USED WITHOUT THE PERMISSION OF HONEYWELL.				TITLE "S" TYPE SUBMINIATURE PRESSURE TRANSDUCER, 7/16-20 UNF			
	INTERPRET PER ASME Y14.5M-1994 OTHER HONEYWELL ENGINEERING STANDARDS MAY APPLY				SIZE	TYPE	CAGE CODE	DRAWING NAME
AUTOCAD				B	E	51518	000-0122-00	G
				SCALE	-		SHEET	1 of 1

4

3

2

1