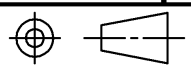
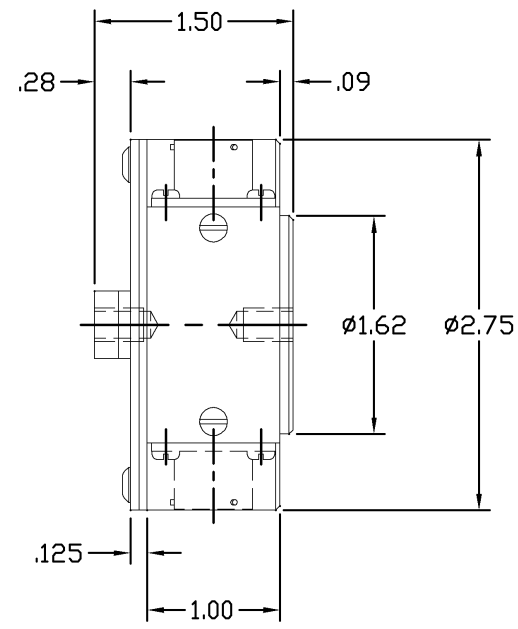
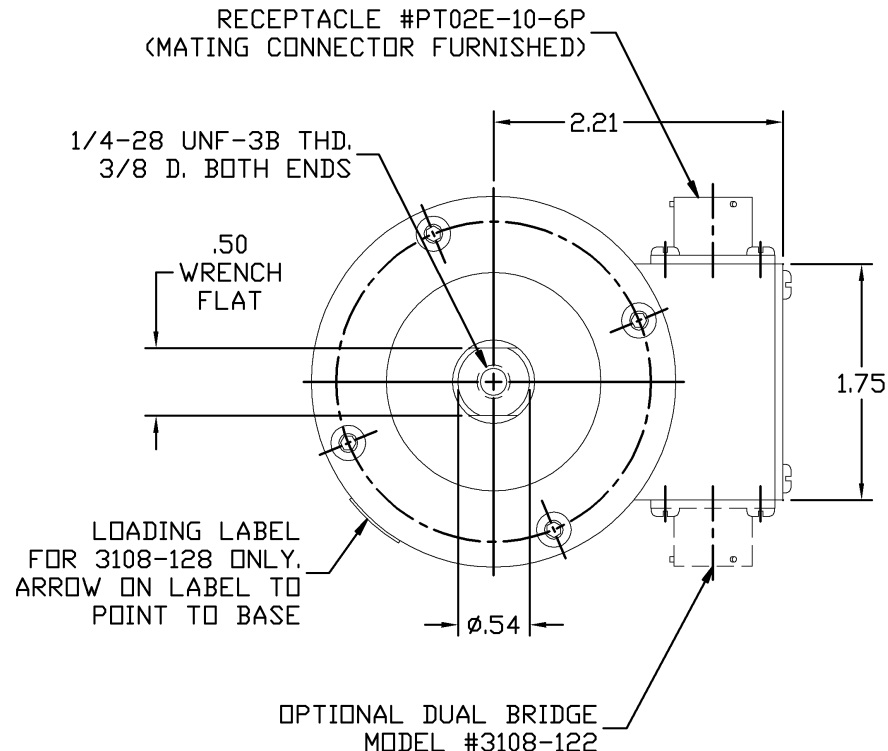


DO NOT SCALE DRAWING	B-3108-D	REV.
ALL CHANGES TO DRAWING MUST BE DONE ON CAD	 THIRD ANGLE PROJECTION	

**\*NOTICE TO PERSONS RECEIVING THIS DRAWING AND/OR TECHNICAL INFORMATION\***  
 Lebow Products claims proprietary rights to the material disclosed herein. This drawing and/or technical information is issued in confidence for engineering information only and may not be reproduced or used to manufacture anything shown or referred to herein without direct written permission from Lebow Products to the user. This drawing and/or technical information is the property of Lebow Products and is loaned for mutual assistance, to be returned when its purpose has been served.



**SPECIFICATIONS:**  
 CAPACITY:  $\pm F_z = \pm 5-10\#$   
 OUTPUT:  $2.0 \pm .25\% Mv/VOLT$   
 WESTERN REGIONAL WIRING CODE

DET. NO.	PART NO.	DESCRIPTION	REQ'D.
		Lebow Products Lebow Products Troy, Michigan	
UNLESS OTHERWISE SPECIFIED LINEAR DIMENSIONS ARE IN INCHES REMOVE ALL BURRS & ANGULAR DIMENSIONS ARE IN DEGREES SHARP EDGES DIMENSION LIMITS HELD AFTER PLATING SURFACE FINISH 125 ✓			
<b>TOLERANCES</b>		DR. BY:	CHK'D. BY:
DRILLED HOLES - .000 + .007	TWO PLACE DECIMALS ± .010	THREE PLACE DECIMALS ± .005	ANGLES ± 0 '30'
SCALE: NONE	REF. DWG. B-18877	FRACTIONAL DIMENSIONS ± 1/64	MAT'L. -----
DATE	APPV'D.	DATE:	DATE:
	M.J. CHG'D.	4/25/77	
ECN NO.	F SYM.	MODEL:	ENGR.
		3108	
TITLE:			DRAWING NO.
O.D. LOAD CELL			B-3108-D
			REV.

REVISIONS

DESCRIPTION

REDRAWN ON CAD