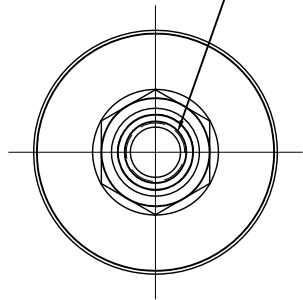
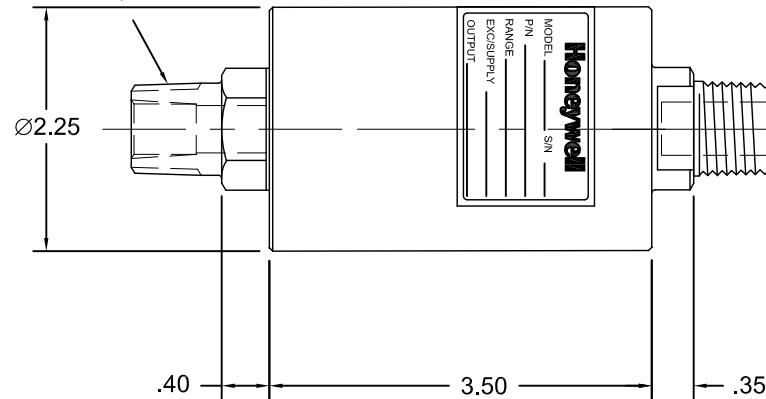


1/2-14 NPT MALE

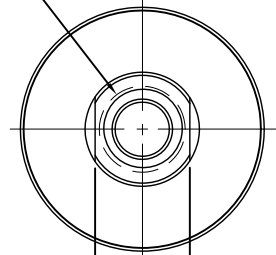
1/4-18 NPT FEMALE



3 COND., BELDEN
#9364, 20 GAGE VINYL
INSULATED CABLE,
2 FT. LONG



1/2-14 NPT



.87
WRENCH FLATS

FACTORY MUTUAL
CONTROLLED DWG.
NO CHANGES
WITHOUT AUTHORIZATION

ANY CHANGES TO THIS DRAWING REQUIRES
NOTIFICATION OF FACTORY MUTUAL

SPECIFICATIONS

RANGE	0-21 PSIG THRU 0-500 PSIG
ACCURACY	±.25% F.S
COMPENSATED	60°F TO 160°F
OPERATING	0°F TO 195°F
GAIN SENSITIVITY	0.01%F.S./°F
BALANCE SHIFT	0.01%F.S./°F
CASE MAT'L	17-4 PH SS
INPUT:	MINIMUM POWER SUPPLY= 9.0V+0.021*RLOAD (ohm)
	MAXIMUM POWER SUPPLY= 32V+0.004*RLOAD (ohm)
	NOTE: RLOAD IS EXTERNAL LOAD RESISTANCE
OUTPUT:	4 TO 20 mA

WIRING CODE

COLOR	DESIGNATION
RED	(+) SUPPLY
BLACK	(+) OUTPUT
WHITE	CASE GROUND

IF THIS IS A PAPER COPY IT IS UNCONTROLLED. VERIFY REVISION BEFORE USE.

PROPRIETARY RIGHTS NOTICE: THIS DRAWING COVERS A PROPRIETARY ITEM AND IS THE PROPERTY OF HONEYWELL. THIS DRAWING IS NOT TO BE COPIED OR USED WITHOUT THE PERMISSION OF HONEYWELL.					
UNLESS OTHERWISE SPECIFIED: ALL DIMENSIONS IN INCHES. INTERPRET PER ASME Y14.100-2000 OTHER HONEYWELL STDS MAY APPLY. ALL FILLETS & CORNERS .005R MAX DEBURR & BREAK SHARP CORNERS		D 01/05/2010 ECR 0043739, Updated input specifications	Arrigo		
		C 01/14/2008 ECN #06-009, Updated to meet new amplifier specs	Morris		BDR
REV		DESCRIPTION		REV BY	CHK BY APV BY
AUTOCAD		DRW: DLE 09/24/1980	CHK: -	MFG:	ENG: BDR 04/13/1999
REV B HIST 506	DO NOT SCALE .X ±.2 .XX ±.02 .XXX ±.010	Honeywell HONEYWELL SENSOTEC 2080 ARLINGATE LANE COLUMBUS, OHIO 43228 www.honeywell.com/sensing			
		MODEL 811 TRUE GAGE PRESSURE TRANSDUCER			
		CODE IDENT NO. 51518		DOCUMENT NUMBER 000-1125-00	
		SHEET 1 OF 1	SIZE A		