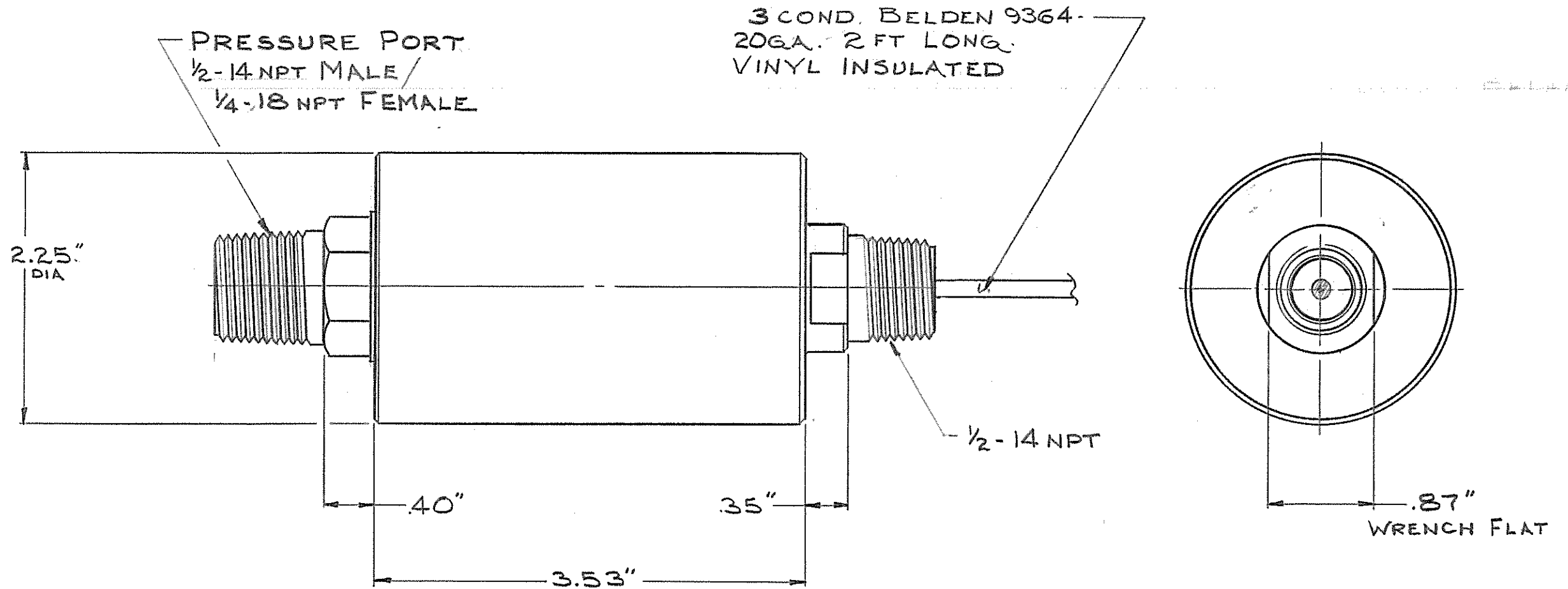


WIRING CODE

RED + POWER  
 BLACK - POWER  
 WHITE CASE GND



SPECIFICATIONS

ACCURACY:  $\pm 0.25\%$  F.S.  
 COMPENSATED: 60°F TO 160°F  
 OPERATING: 0°F TO 195°F  
 GAIN SENSITIVITY: 0.01%/°F  
 BALANCE SHIFT: 0.01%/°F  
 CASE MATERIAL: 17-4 PH STAINLESS  
 OUTPUT: 0 PSI = 4 MA  
           FS PSI = 20 MA  
 INPUT: 15 TO 80 VOLTS DC DEPENDING  
           ON LOAD (12V OPTIONAL)

P/N 1534 HAS BEEN APPROVED  
 BY FACTORY MUTUAL SYSTEMS.

ANY CHANGES TO THIS DWG.  
 REQUIRES NOTIFICATION OF  
 FACTORY MUTUAL.

DOCUMENT NUMBER  
 000-1126-00-3

USED ON	
MATERIAL SPEC.	.x .xx .xxx x

B	REV. PER ECN# 506	12-21-82 MAW
A	REV. PER ECN# 282	4-20-82 RLR
REV.	DESCRIPTION	APPROV RELEAS.
SCALE	DRAWN DLE	CHECKED BDR
1:1	9-24-80	4/26/84
<b>SENSOTEC INC.</b> 1200 CHESAPEAKE AVE COLUMBUS, OHIO 43212		
MODEL 811 LOW CAP. 0-2 PSI THRU 0-10 PSI P/N 1534		
FINISH	DOCUMENT NUMBER	
✓	000-	
SHEET	OF	1126-00-3