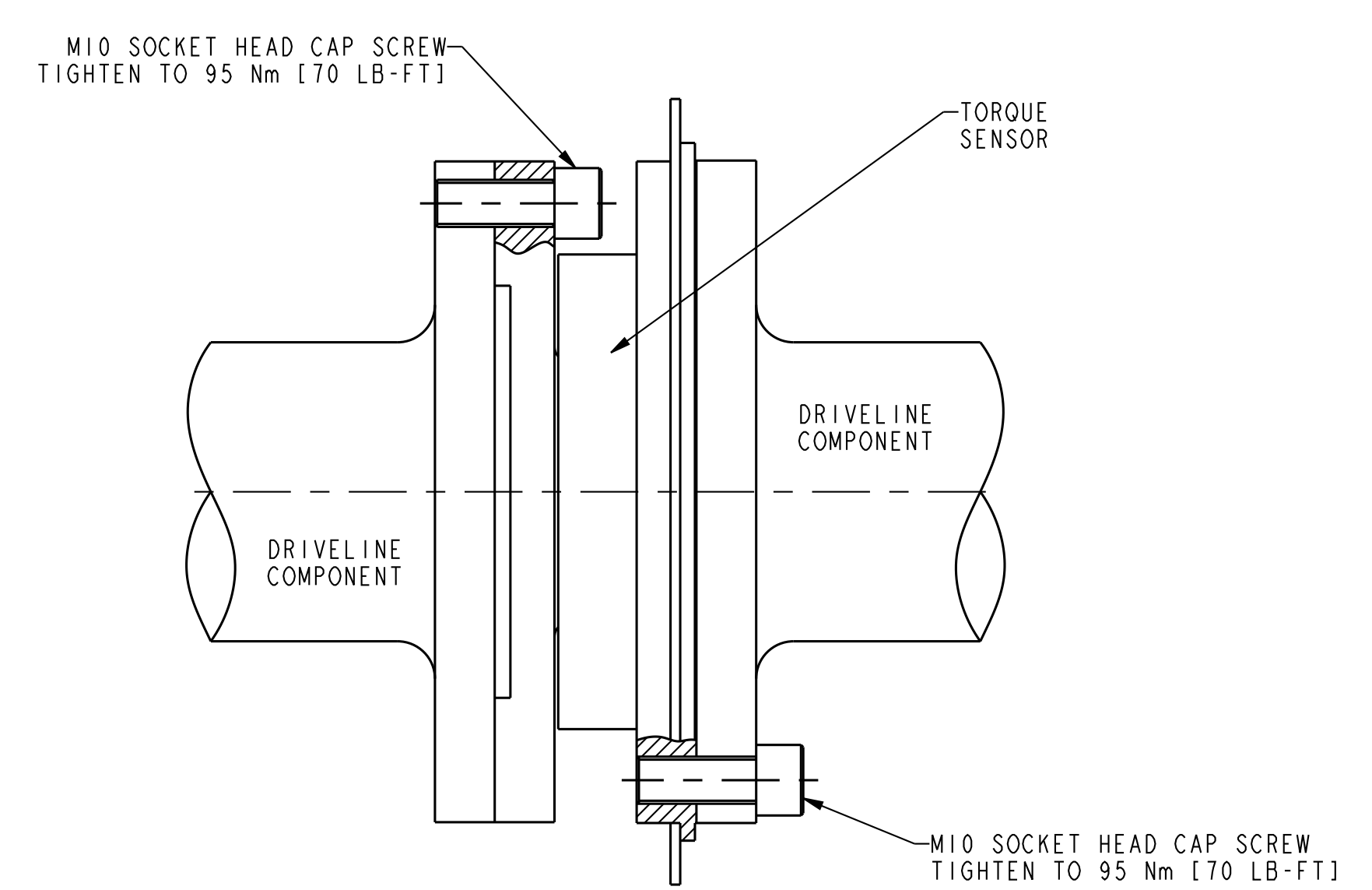


* KEEP AREA INDICATED
FREE OF METAL PARTS
SEE NOTES #4 & 5



- NOTES
- 1 - SENSOR IS NOT DYNAMICALLY BALANCED.
 - 2 - PILOT DIAMETERS IN ACCORDANCE WITH ANSI B4.1 (ANSI STANDARD FOR LIMITS & FITS)
 - 3 - USE THREAD LOCKING COMPOUND AN ALL THREADS.

DESIGN UNITS: INCH	DRAWN	DN	01DEC10	Honeywell
TOLERANCES UNLESS NOTED:	CHECK	VSY	01DEC10	
NO PLACES .x ±	THIS DRAWING COVERS A PROPRIETARY ITEM AND IS THE PROPERTY OF HONEYWELL. THIS DRAWING IS NOT TO BE COPIED OR USED WITHOUT THE PERMISSION OF HONEYWELL.			TITLE
ONE PLACE .xx ±				OD DRAWING, MODEL 92513
TWO PLACE .xxx ±				SIZE TYPE CAGE CODE DRAWING NAME
THREE PLACE .xxx ±				D I - 000-LW92513
ANGLES x ±				REV
	INTERPRET PER ASME Y14.5M-1994 OTHER HONEYWELL ENGINEERING STANDARDS MAY APPLY			A
THIRD ANGLE PROJECTION	Pro/ENGINEER 3D SCALE 1:1			SHEET 1 OF 1