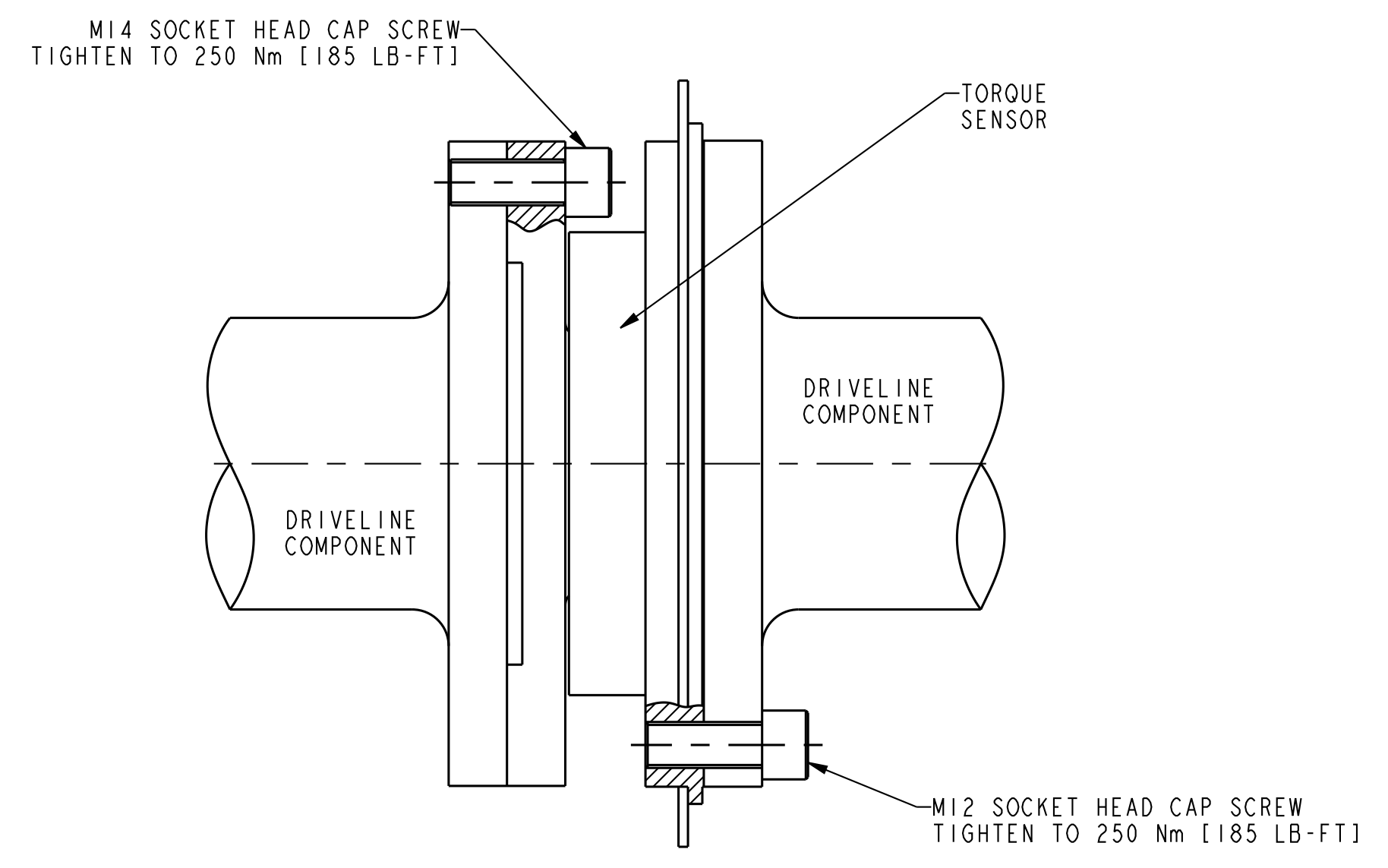


\* KEEP AREA INDICATED  
FREE OF METAL PARTS  
SEE NOTES #4 & 5



NOTES  
1 - BALANCED TO ISO-1940 : GRADE 2.5  
2 - PILOT DIAMETERS IN ACCORDANCE WITH ANSI B4.1  
(ANSI STANDARD FOR LIMITS & FITS)  
3 - USE THREAD LOCKING COMPOUND AN ALL THREADS.

DESIGN UNITS: INCH	DRAWN	DN	01DEC10	<b>Honeywell</b>
TOLERANCES UNLESS NOTED:	CHECK	VSY	01DEC10	
NO PLACES .x ±	THIS DRAWING COVERS A PROPRIETARY ITEM AND IS THE PROPERTY OF HONEYWELL. THIS DRAWING IS NOT TO BE COPIED OR USED WITHOUT THE PERMISSION OF HONEYWELL.			TITLE
ONE PLACE .xx ±				OD DRAWING, MODEL 92515
TWO PLACE .xxx ±				SIZE TYPE CAGE CODE DRAWING NAME
THREE PLACE .xxx ±				D I - 000-LW92515
ANGLES x ±				REV
	THIRD ANGLE PROJECTION			A
	Pro/ENGINEER 3D SCALE 3:4			SHEET 1 OF 1