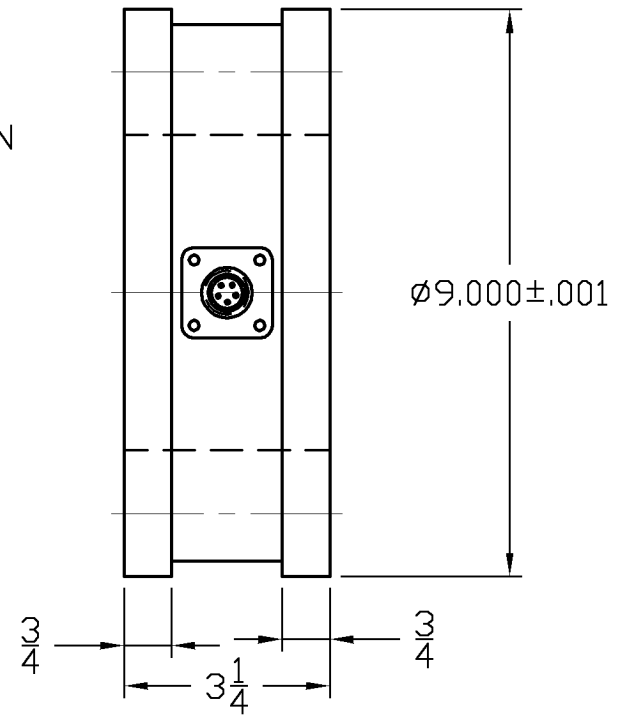
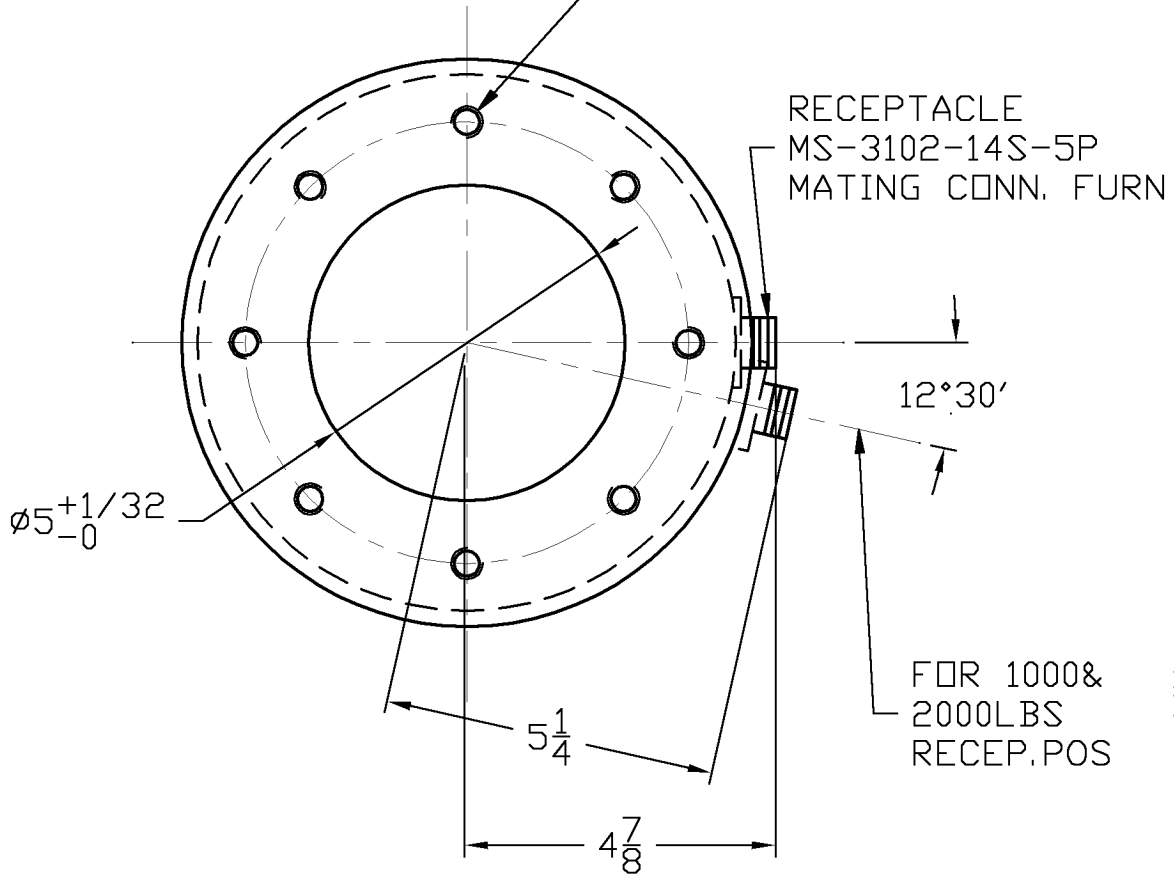


NOTICE TO PURCHASER: RECEIVERS THIS DRAWING AND/OR TECHNICAL INFORMATION FROM LEBOW PRODUCTS IS FOR INFORMATION ONLY AND DOES NOT CONSTITUTE AN OFFER OR WARRANTY. LEBOW PRODUCTS DOES NOT ASSUME ANY LIABILITY FOR ANY DAMAGE OR INJURY TO PERSONS OR PROPERTY ARISING FROM THE USE OF THIS DRAWING OR TECHNICAL INFORMATION. LEBOW PRODUCTS SHALL BE RESPONSIBLE FOR THE DESIGN AND CONSTRUCTION OF THE RECEIVERS AND SHALL BE RESPONSIBLE FOR THE PROTECTION OF THE RECEIVERS FROM CORROSION AND DAMAGE. LEBOW PRODUCTS SHALL BE RESPONSIBLE FOR THE PROTECTION OF THE RECEIVERS FROM DAMAGE DURING TRANSPORT AND STORAGE. LEBOW PRODUCTS SHALL BE RESPONSIBLE FOR THE PROTECTION OF THE RECEIVERS FROM DAMAGE DURING INSTALLATION AND USE. LEBOW PRODUCTS SHALL BE RESPONSIBLE FOR THE PROTECTION OF THE RECEIVERS FROM DAMAGE DURING REMOVAL AND DISPOSAL. LEBOW PRODUCTS SHALL BE RESPONSIBLE FOR THE PROTECTION OF THE RECEIVERS FROM DAMAGE DURING REPAIR AND MAINTENANCE. LEBOW PRODUCTS SHALL BE RESPONSIBLE FOR THE PROTECTION OF THE RECEIVERS FROM DAMAGE DURING STORAGE AND HANDLING. LEBOW PRODUCTS SHALL BE RESPONSIBLE FOR THE PROTECTION OF THE RECEIVERS FROM DAMAGE DURING TRANSPORT AND STORAGE. LEBOW PRODUCTS SHALL BE RESPONSIBLE FOR THE PROTECTION OF THE RECEIVERS FROM DAMAGE DURING INSTALLATION AND USE. LEBOW PRODUCTS SHALL BE RESPONSIBLE FOR THE PROTECTION OF THE RECEIVERS FROM DAMAGE DURING REMOVAL AND DISPOSAL. LEBOW PRODUCTS SHALL BE RESPONSIBLE FOR THE PROTECTION OF THE RECEIVERS FROM DAMAGE DURING REPAIR AND MAINTENANCE. LEBOW PRODUCTS SHALL BE RESPONSIBLE FOR THE PROTECTION OF THE RECEIVERS FROM DAMAGE DURING STORAGE AND HANDLING.

DO NOT SCALE DRAWING  
 ALL CHANGES TO DRAWING MUST BE DONE ON CAD  
 A-3336-D REV.  
 THIRD ANGLE PROJECTION

1/2-13UNC-3B TAP 3/4 DEEP  
 (8) HOLES EQ. SPACED  
 BOTH ENDS ON  $\phi 7.000$  B.C.



REV. NO.	PART NO.	DESCRIPTION	REV'D.
		<b>Lebow Products</b> Lebow Products Troy, Michigan	
UNLESS OTHERWISE SPECIFIED LINEAR DIMENSIONS ARE IN INCHES REMOVE ALL BURRS & SHARP EDGES ANGULAR DIMENSIONS ARE IN DEGREES SURFACE FINISH 125 ✓ DIMENSION LIMITS HELD AFTER PLATING			
TOLERANCES			DR. BY <b>SALLY</b>
DRILLED HOLES -.000 +.007	TWO PLACE DECIMALS ± .01	THREE PLACE DECIMALS ± .005	ENGR.
SCALE HALF	REF. DWG.	FRACTIONAL DIMENSIONS ± 1/64	DATE 12/04/03
TITLE <b>LOAD CELL - OUTSIDE DIMENSIONS (COMPRESSION &amp; TENSION)</b>			DATE 12/04/03
DRAWING NO. <b>A-3336-D</b>			REV.

SYM.	REVISIONS	DATE
J	REDRAW ON CAD	12/04/03