

Model 3719

Bolt and Engine Mount Force Sensor



DESCRIPTION

The bolt force sensor is a unique transducer which is essentially a hollow-compression strain gage load cell. It is designed to be used with most strain gage indicators. The bolt force sensor is a three-piece assembly consisting of: 1. a large hardened and ground flat washer with one side beveled, 2. the sensor, and 3. a small hardened and ground washer.

The three pieces are assembled for various applications. The large washer isolates the sensor from the force application tool.

The beveled hole in this washer, which always faces away from the sensor, provides clearance for the bolt head radius. When a torque wrench is used, a torque vs. clamp force curve can be generated. The 3719 bolt force sensor is designed for use in fastener testing where the compression loading of the sensor is induced by the tensile loading of the fastener. The bolt force sensor must be used with the size fastener for which it was designed.

FEATURES

- Compact
- High output
- Standard models for bolts size no. 6 thru 2 in and up to 20 mm
- Sensor and washers - carpenter 440C stainless steel
- Sensitive to neither bolt nor nut-applied torque

Model 3719

PERFORMANCE SPECIFICATIONS

Characteristic	Measure
Load range ¹	1200 lb to 300000 lb
Non-linearity - ranges up to 25K lb (67K N)	±3.0 % of rated output
Non-linearity - ranges 30K lb and up (102K N)	±4.0 % of rated output
Hysteresis ranges up to 25K lb (67K N)	±5.0 % of rated output
Hysteresis - ranges 30K lb and up (102K N)	±7.0 % of rated output
Repeatability	±0.10 % of rated output
Output @ rated capacity	±2 mV/V to 3.5 mV/V depending on size (nominal)
Resolution	Infinite
Standard calibration	Compression

ENVIRONMENTAL SPECIFICATIONS

Characteristic	Measure
Temperature, operating	-54 °C to 93 °C [-65 °F to 200 °F]
Temperature, compensated	21 °C to 77 °C [70 °F to 170 °F]
Temperature effect, zero ranges up to 12K lb	±0.01 % of full scale/°F
Temperature effect, zero ranges 18K lb and up	±0.007 % of full scale/°F
Temperature effect, output ranges up to 12K lb	±0.02 % of reading/°F
Temperature effect, output ranges 18K lb and up	±0.0035 % of reading/°F

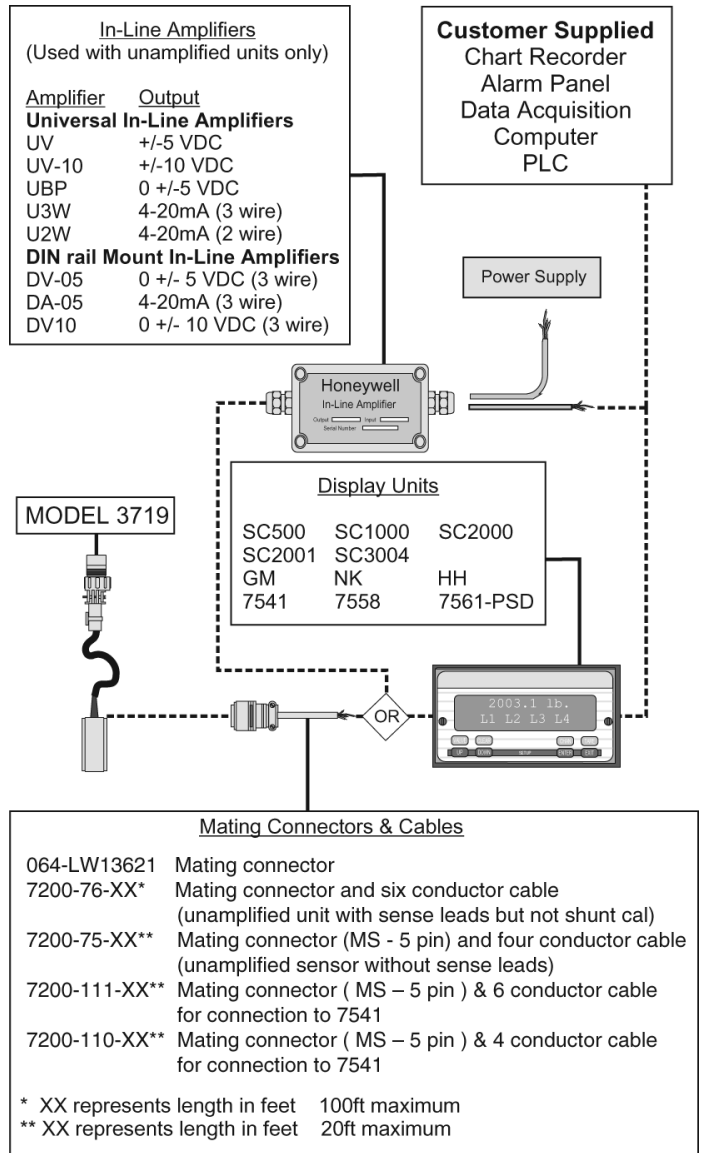
ELECTRICAL SPECIFICATIONS

Characteristic	Measure
Excitation (maximum)	10 Vdc or Vac RMS
Insulation resistance, bridge case	> 5000 mOhm @ 50 Vdc
Bridge resistance (tolerance)	350 ohm
Number of bridges	1
Zero balance	±1.0

MECHANICAL SPECIFICATIONS

Characteristic	Measure
Static overload capacity	150 % of nominal capacity

TYPICAL SYSTEM DIAGRAM

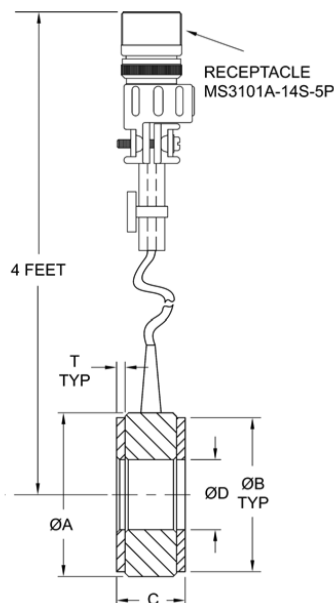


Bolt and Engine Mount Force Sensor

MOUNTING DIMENSIONS

Model	Bolt size	Capacity lb	C in	ØD in	ØA in	ØB in	T in
3719-138	No. 6	1200	0.330	0.140	0.42	0.250	0.040
3719-164	No. 8	1800	0.330	0.166	0.47	0.300	0.040
3719-190	No. 10	2400	0.330	0.192	0.52	0.350	0.040
3719-250	1/4	5000	0.370	0.262	0.65	0.470	0.060
3719-312	5/16	7000	0.495	0.326	0.78	0.550	0.060
3719-375	3/8	10000	0.495	0.396	0.80	0.639	0.060
3719-437	7/16	12000	0.495	0.454	0.95	0.720	0.060
3719-500	1/2	20000	0.660	0.517	1.14	0.910	0.080
3719-562	9/16	25000	0.660	0.580	1.23	0.990	0.080
3719-625	5/8	30000	0.660	0.644	1.35	1.150	0.080
3719-750	3/4	45000	0.815	0.770	1.62	1.350	0.095
3719-875	7/8	60000	0.815	0.897	1.72	1.600	0.095
3719-1000	1	90000	0.815	1.024	2.00	1.800	0.095
3719-1125	1 1/8	80000	1.065	1.151	2.20	1.900	0.095
3719-1250	1 1/4	125000	1.125	1.279	2.40	2.250	0.125
3719-1500	1 1/2	190000	1.125	1.533	2.80	2.600	0.125
3719-1750	1 3/4	260000	1.300	1.787	3.20	3.000	0.150
3719-2000	2	300000	1.650	2.041	3.60	3.500	0.200
3719-6MM	6 mm	17000*	9,40*	6,0*	16,3*	10,7*	1,5*
3719-7MM	7 mm	27000*	12,57*	7,1*	16,8*	12,2*	1,5*
3719-8MM	8 mm	31000*	12,57*	8,3*	19,8*	14,5*	1,5*
3719-9MM	9 mm	36000*	12,57*	9,0*	20,3*	15,2*	1,5*
3719-10MM	10 mm	46000*	12,57*	10,1*	20,3*	16,2*	1,5*
3719-12MM	12 mm	67000*	15,75*	12,0*	27,9	22,1*	1,5*
3719-14MM	14 mm	102000*	16,76*	14,0*	31,8*	25,9*	2,0*
3719-15MM	15 mm	125000*	16,76*	15,5*	32,5*	26,4*	2,0*
3719-16MM	16 mm	135000	16,76*	16,1*	34,3*	29,2*	2,0*
3719-18MM	18 mm	156000	19,94*	18,1*	36,8*	31,8*	2,0*
3719-20MM	20 mm	220000	20,70*	20,1*	43,2*	36,8*	2,4*

* Capacities in Newtons, * Dimensions in millimeters



Model 3719

Bolt and Engine Mount Force Sensor

NOTES

1. This unit calibrated to Imperial (non-Metric) units.

Warranty. Honeywell warrants goods of its manufacture as being free of defective materials and faulty workmanship. Honeywell's standard product warranty applies unless agreed to otherwise by Honeywell in writing; please refer to your order acknowledgement or consult your local sales office for specific warranty details. If warranted goods are returned to Honeywell during the period of coverage, Honeywell will repair or replace, at its option, without charge those items it finds defective. **The foregoing is buyer's sole remedy and is in lieu of all warranties, expressed or implied, including those of merchantability and fitness for a particular purpose. In no event shall Honeywell be liable for consequential, special, or indirect damages.**

While we provide application assistance personally, through our literature and the Honeywell web site, it is up to the customer to determine the suitability of the product in the application.

Specifications may change without notice. The information we supply is believed to be accurate and reliable as of this printing. However, we assume no responsibility for its use.

WARNING **PERSONAL INJURY**

- DO NOT USE these products as safety or emergency stop devices or in any other application where failure of the product could result in personal injury.

Failure to comply with these instructions could result in death or serious injury.

WARNING **MISUSE OF DOCUMENTATION**

- The information presented in this catalogue is for reference only. DO NOT USE this document as product installation information.
- Complete installation, operation and maintenance information is provided in the instructions supplied with each product.

Failure to comply with these instructions could result in death or serious injury.

Find out more

Honeywell serves its customers through a worldwide network of sales offices, representatives and distributors. For application assistance, current specifications, pricing or name of the nearest Authorized Distributor, contact your local sales office.

To learn more about Honeywell's test and measurement products, call **+1-614-850-5000**, visit

www.honeywell.com/sensotec,

or e-mail inquiries to

info.tm@honeywell.com

Sensing and Control

Honeywell

1985 Douglas Drive North
Golden Valley, MN 55422

www.honeywell.com

008653-2-EN IL50 GLO
March 2009

Copyright © 2009 Honeywell International Inc. All rights reserved.

Honeywell