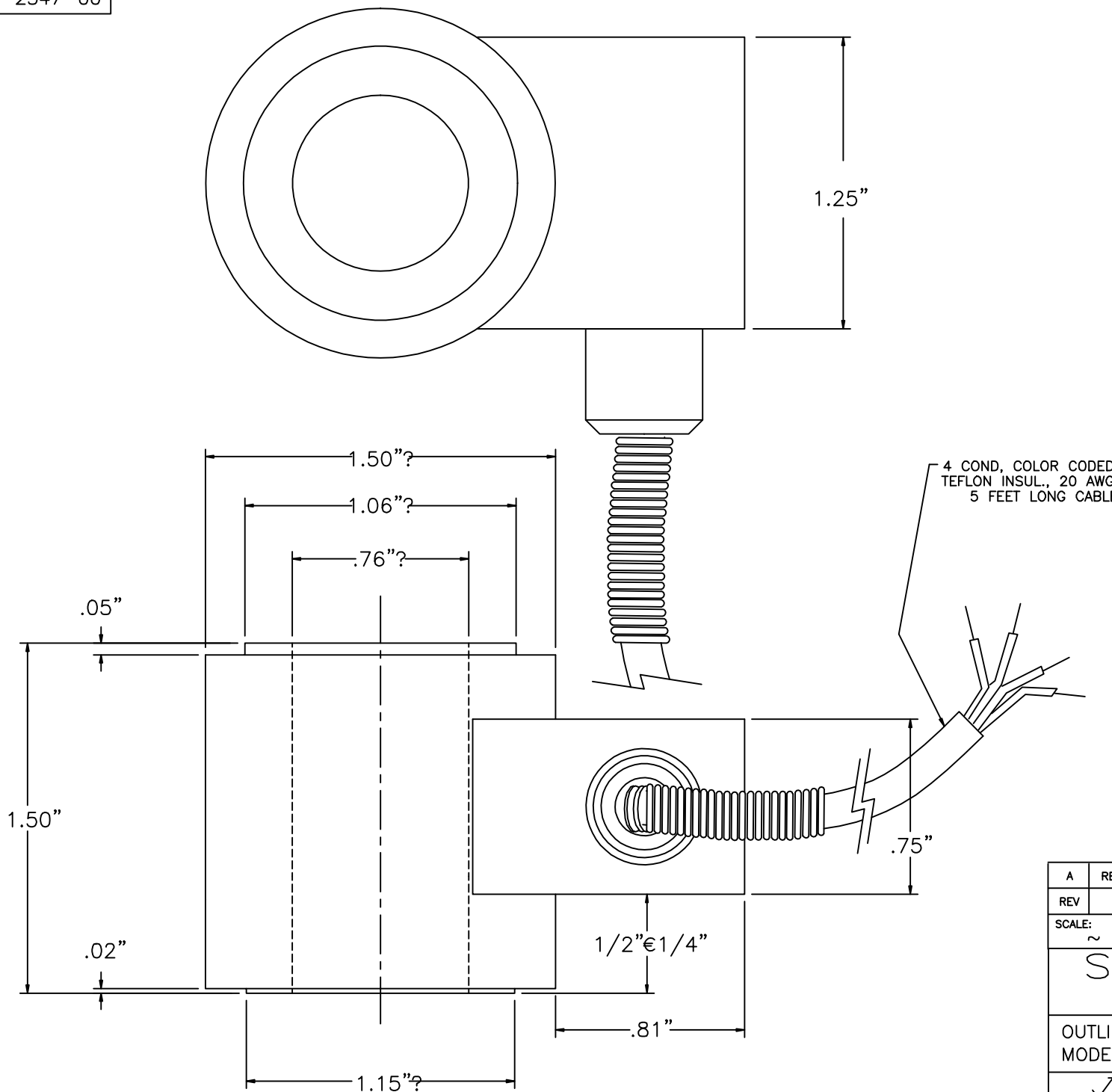


WIRING CODE
 4 cond. cable, no amp
 RED +EXCITATION
 BLACK -EXCITATION
 GREEN -OUTPUT
 WHITE +OUTPUT



4 COND, COLOR CODED,
 TEFLON INSUL., 20 AWG,
 5 FEET LONG CABLE

SENSOTEC
 P/N 060-1587-00
 AVAILABLE RANGE:
 15 - 25 K LB

| | | | | |
|--|------------------------|--------------------------|-----------------|--------------------|
| A | REVISED PER ECN # 2347 | ADDED VIEW LOCATE BOX | 9APR91 JJB | |
| REV | DESCRIPTION | | REVISED BY | APPROV. RELEASE |
| SCALE: ~ | DRAWN 8APR91 JJB | CHECKED: | APPROVED: | |
| SENSOTEC INC. 1200 CHESAPEAKE AVE. COLUMBUS, OHIO 43212 | | | | |
| OUTLINE DRAWING for MODEL TH LOAD CELL | | | | |
| <input checked="" type="checkbox"/> | | | DOCUMENT NUMBER | |
| SHEET 1 OF 1 | | | 000-2347-00 | |