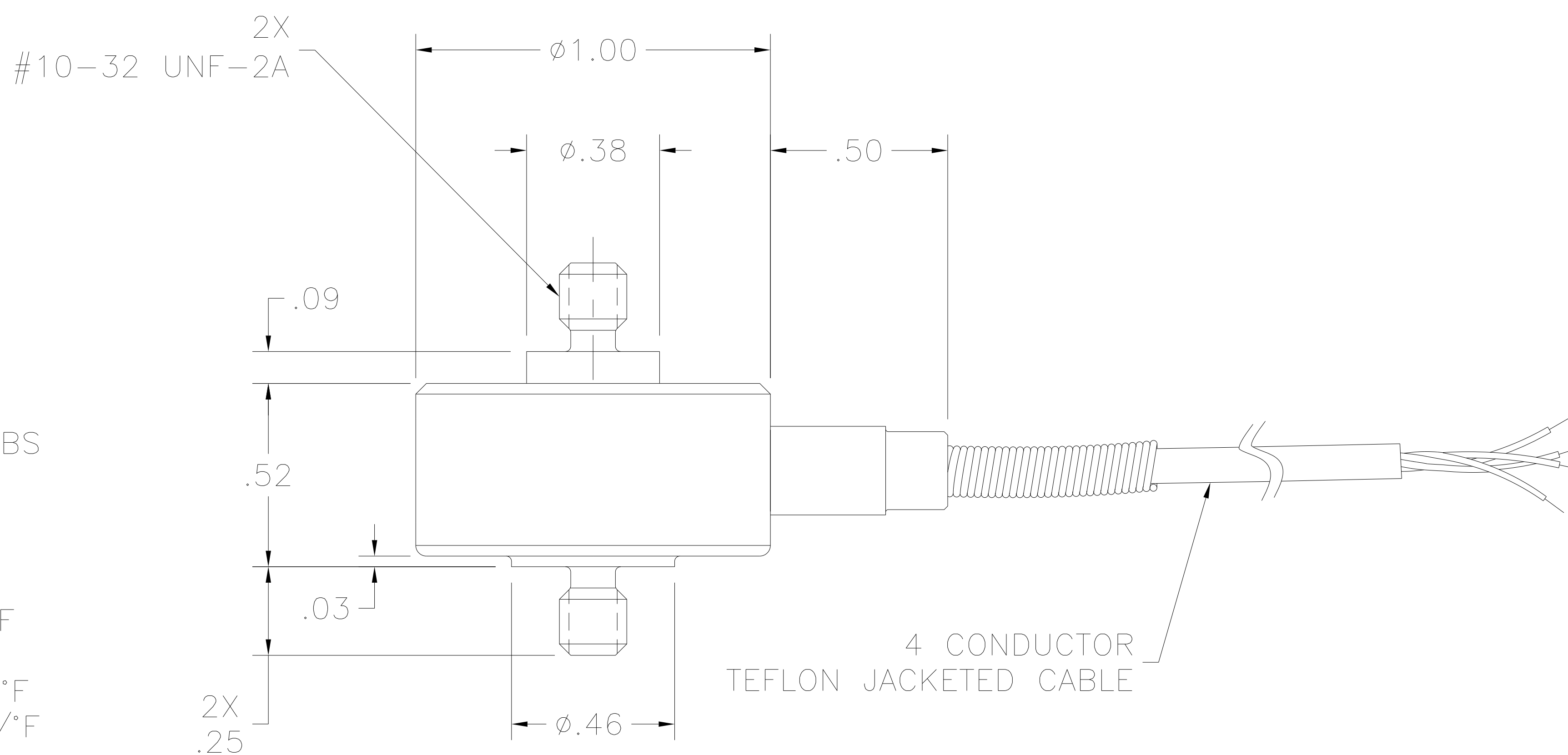


WIRING CODE

COLOR	DESIGNATION
RED	(+)EXCITATION
BLACK	(-)EXCITATION
GREEN	(-)OUTPUT
WHITE	(+)OUTPUT

SPECIFICATIONS

AVAILABLE RANGES:	25 TO 100 LBS
SUPPLY:	10 VDC
OUTPUT:	2 mV/V
NONLINEARITY:	± .15% F.S.
HYSTERESIS:	± .15% F.S.
COMPENSATED TEMPERATURE:	60°F TO 160°F
TEMPERATURE EFFECT:	
ZERO:	±.005% F.S./°F
SPAN:	±.005% Rdg./°F
BRIDGE RESISTANCE:	350 ohms
CASE MATERIAL:	17-4 PH SS



-	INITIAL RELEASE TO PRODUCTION			-	-
REV	DESCRIPTION			REVISED BY	APPROVED BY
DRW:	JWD 1/24/02	CHK:	RAF 01/30/02	MFG:	ENG: BDR 01/28/02

SCALE: NONE	<p>SENSOTEC INC. 2080 ARLINGATE LANE, COLUMBUS, OHIO 43228 © SENSOTEC, INC. ALL RIGHTS RESERVED</p> <p>OUTLINE DWG, MODEL 31,060-1430 SERIES 1.00" OD, 10-32 UNF-2A</p>	DOCUMENT NUMBER	
.X ±.1		000-1462-00	
.XX ±.01		SHEET 1 OF 1	
.XXX ±.005		63	
USED ON	±1/2"		