

FD-55111-C

4

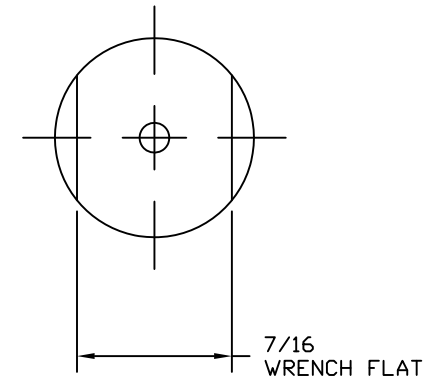
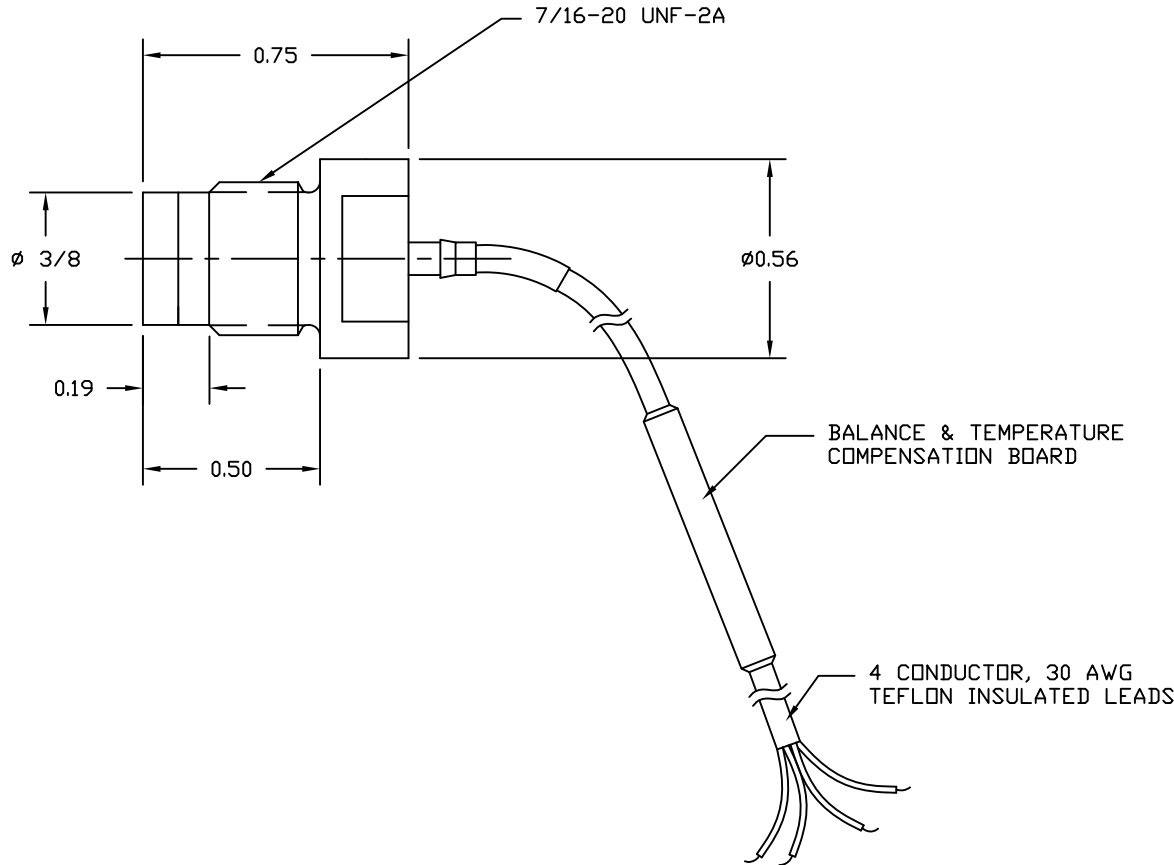
3

2

1


HONEYWELL
PART NUMBER
-

| REV | DOCUMENT | CHANGED BY | CHECK |
|-----|----------|--------------|-------|
| G | 0046900 | TSY 5/5/2010 | TSY |



WIRING CODE

| | | |
|-------|-----|------------|
| RED | (+) | EXCITATION |
| BLACK | (-) | EXCITATION |
| WHITE | (+) | OUTPUT |
| GREEN | (-) | OUTPUT |

| | | | | | | | | |
|---|--|-----|------------|------------------|---|-------|-------------|--------------|
| DESIGN UNITS: INCH TOLERANCES UNLESS NOTED: NO PLACES X ± - ONE PLACE .X ± .2 TWO PLACE .XX ± .02 THREE PLACE .XXX ± .010 ANGLES X ± 1° THIRD ANGLE PROJECTION  | DRAWN | - | 03/09/1971 | Honeywell | | | | |
| | CHECK | MER | 10/10/1996 | | | | | |
| | THIS DRAWING COVERS A PROPRIETARY ITEM AND IS THE PROPERTY OF HONEYWELL. THIS DRAWING IS NOT TO BE COPIED OR USED WITHOUT THE PERMISSION OF HONEYWELL. | | | | TITLE "S" TYPE SUBMINIATURE PRESSURE TRANSDUCER, 7/16-20 UNF | | | |
| | INTERPRET PER ASME Y14.5M-1994 OTHER HONEYWELL ENGINEERING STANDARDS MAY APPLY | | | | SIZE | TYPE | CAGE CODE | DRAWING NAME |
| AUTOCAD | | | | B | E | 51518 | 000-0122-00 | G |
| | | | | SCALE | - | | SHEET | 1 of 1 |

4

3

4

2

1