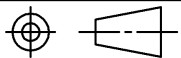
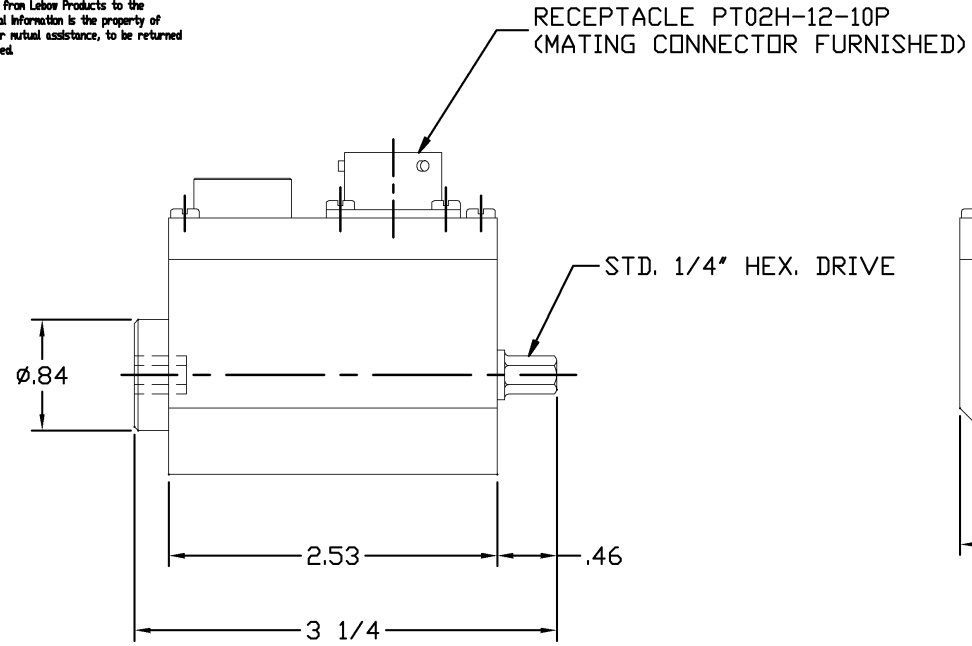


NOTICE TO PERSONS RECEIVING THIS DRAWING AND/OR TECHNICAL INFORMATION
 Lebow Products claims proprietary rights to the material disclosed herein. This drawing and/or technical information is issued in confidence for engineering information only and may not be reproduced or used to manufacture anything shown or referred to herein without direct written permission from Lebow Products to the user. This drawing and/or technical information is the property of Lebow Products and is loaned for mutual assistance, to be returned when its purpose has been served.

DO NOT SCALE DRAWING	B-35836 REV.
ALL CHANGES TO DRAWING MUST BE DONE ON CAD	 THIRD ANGLE PROJECTION



DET. NO.	PART NO.	DESCRIPTION	REQ'D.
		Lebow Products Lebow Products Troy, Michigan	
UNLESS OTHERWISE SPECIFIED LINEAR DIMENSIONS ARE IN INCHES REMOVE ALL BURRS & ANGULAR DIMENSIONS ARE IN DEGREES SHARP EDGES DIMENSION LIMITS HELD AFTER PLATING SURFACE FINISH 125 <input checked="" type="checkbox"/>			
TOLERANCES		DR. BY:	ENGR.
DRILLED HOLES - .000 + .007	TWO PLACE DECIMALS ± .010	MGJ	
THREE PLACE DECIMALS ± .005	ANGLES ± 0 '30'	DATE:	DATE:
SCALE: NONE	REF. DWG. B-35835	5/16/01	
FRACTIONAL DIMENSIONS ± 1/64	MAT'L. -----	MODEL:	
TITLE: O.D. DRAWING		1254-301	
		DRAWING NO. B-35836	REV.

ADDED BATTERY COVER	DESCRIPTION	REVISIONS
DATE:	DATE:	DATE:
APPV'D.	DATE:	DATE:
MJ CHG'D.	DATE:	DATE:
ECN NO.	DATE:	DATE:
A SYM.	DATE:	DATE: