

# INSTALLATION INSTRUCTIONS FOR THE

## **SNG-Q SERIES**

### **QUADRATURE SPEED AND DIRECTION SENSORS**

**32309314**

Issue F

#### **GENERAL INFORMATION**

Honeywell's SNG-Q Series Quadrature Speed and Direction Sensors are designed to provide both speed and direction information.

Speed is provided from digital square wave outputs; direction is provided using a quadrature output with signals 90° phase shifted from each other. With the quadrature output, target direction is determined by output lead/lag phase shifting.

**TABLE 1. ELECTRICAL SPECIFICATIONS**

Characteristic	Parameter	Comment
Supply voltage	4.5 V to 26 V	—
Output signal:		
type	square wave	Two channel, phase shifted by 90° either channel, may lead or lag.
duty cycle <sup>1</sup>	50% ±10%	Dependent on target geometry and sensor-to-target orientation; see Figures 2, 3, 4, 5, 6, 7, 8 for recommended orientation.
phase shift	90° ±45°	Dependent on target geometry and sensor-to-target orientation; see Figures 2, 3, 4, 5, 6, 7, 8 for recommended orientation.
high	≥Vs - 0.5 V	—
low:		—
SNG-QPLA/QPCA/ QPMB/QPDB	≤0.5 V ≤1.75 V	
load current	40 mA max.	Applies to each output at all conditions.
rise time	10 μs max.	1 kOhm pull-up resistor, dependent on load resistor.
fall time	5 μs max.	1 kOhm pull-up resistor, dependent on load resistor.
frequency	3 Hz to 20 kHz	Frequencies >10 kHz may be dependent on target geometry and air gap.
Short circuit protection	50 mA max.	—
Supply current:		
normal	12 mA	all conditions
max.	18 mA	
Reverse voltage	-26 V max.	10 min duration

<sup>1</sup>Duty cycle = Time high/time total.

**TABLE 2. MECHANICAL SPECIFICATIONS**

Characteristic	Parameter
Sensing air gap	0,0 mm to 2,0 mm [0.0 in to 0.08 in]
Target:	
width <sup>1</sup>	>5,0 mm [0.20 in] recommended; 12,7 mm [0.5 in] typ.
slot width <sup>2</sup>	2,0 mm [0.08 in] min.
tooth width <sup>2</sup>	2,0 mm [0.08 in] min.
tooth height <sup>3</sup>	>3,0 mm [0.12 in] recommended; 5,0 mm [0.20 in] typ.
Materials:	
housing	PBT
bushing	brass
O-ring	fluorocarbon with PTFE coating, Ø11,8 mm [Ø0.47 in] OD x Ø1,80 mm [Ø0.07 in] CS
cable <sup>4</sup>	EVA, four conductor, 36 AWG, 28 strand, Ø5,2 mm [Ø0.20 in] jacket
Mounting:	
bore size <sup>5</sup>	Ø15,15 mm to Ø15,40 mm [Ø0.60 in to Ø0.61 in]
torque	10 N m [88.5 in-lb] max. with M6 X 1.0 bolt

<sup>1</sup>Narrower targets may limit axial offsets.

<sup>2</sup>Other geometry may be suitable.

<sup>3</sup>Shorter tooth heights may limit maximum air gap performance.

<sup>4</sup>Applies to SNG-QPLA-001, SNG-QPCA-001, SNG-QPMB-000, and SNG-QPDB-000.

<sup>5</sup>Application dependent.

# SNG-Q SERIES, QUADRATURE SPEED AND DIRECTION SENSORS

## INSTALLATION INSTRUCTIONS

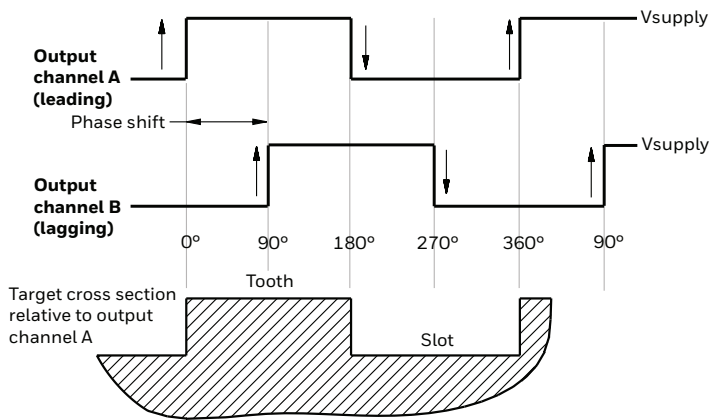
Issue F

32309314

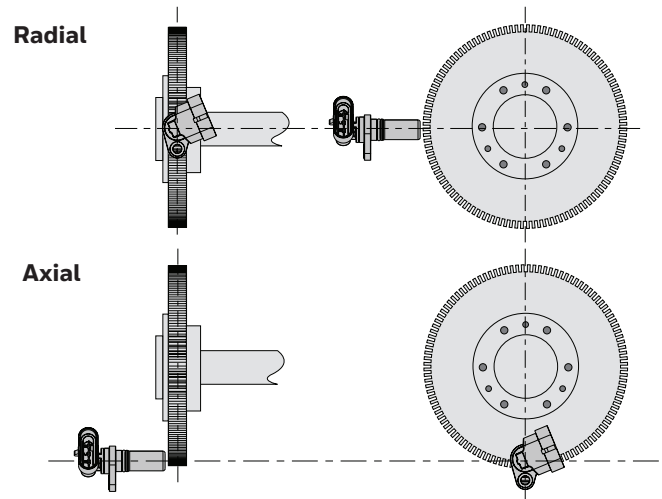
**TABLE 3. ENVIRONMENTAL SPECIFICATIONS**

Characteristic	Condition	Parameter
EMI: radiated immunity bulk current injection ESD	ISO 11452-2, 400 MHz to 1 GHz ISO 11452-4, 1 MHz to 400 MHz ISO 10605, Section 9 conforms to CE Mark standards EN60947-5-2:2007 and EN 60947-5-2/A1:2012	100 V/m 100 mA ±8 kV contact, ±15 kV air
Operating temperature	—	-40°C to 150°C [-40°F to 302°F]
Thermal shock, air to air	-40°C to 150°C [-40°F to 302°F], 60 min. soak, <3 s transfer	500 cycles
Humidity	95% humidity at 38°C [100°F]	240 hr
Salt fog	5% salt solution by mass at 35°C [95°F]	96 hr
Thermal saline dunk	100°C to 25°C [212°F to 77°F] air to liquid, 5% saline	10 cycles
High temperature exposure with power	150°C [302°F], 13.5 Vdc, 1 kOhm load	500 hr
Vibration	3 perpendicular axes, 48 hr per axis	29.28 GMS, 50 Hz to 2000 Hz MIL-STD-202-214
Degree of protection	—	IP69K
Resistance to fluids	—	general under-the-hood automotive fluids

**FIGURE 1. SENSOR OUTPUT (ALL CATALOG LISTINGS)**



**FIGURE 2. POSSIBLE MOUNTING ORIENTATIONS**



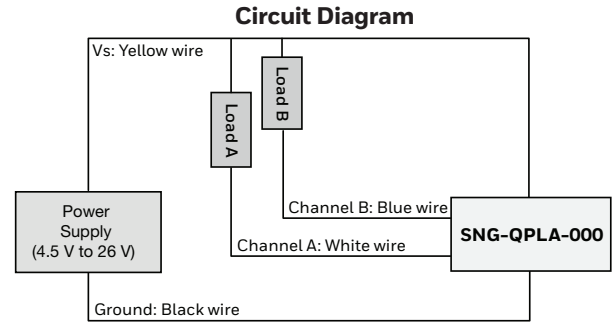
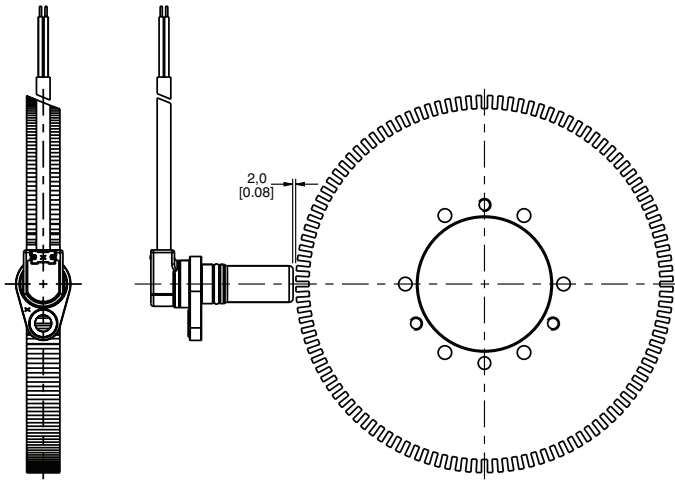
# SNG-Q SERIES, QUADRATURE SPEED AND DIRECTION SENSORS

## INSTALLATION INSTRUCTIONS

Issue F

32309314

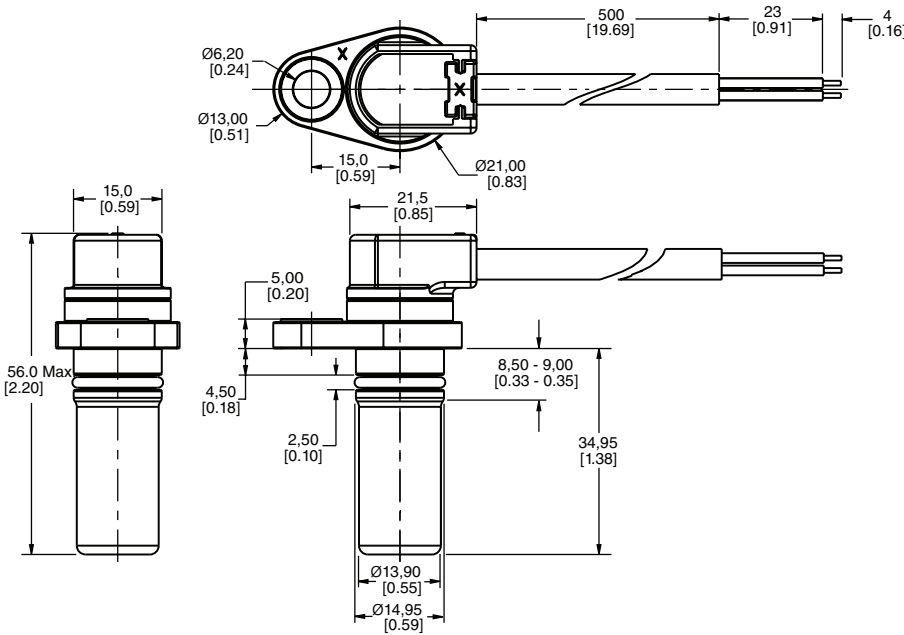
FIGURE 3. SNG-QPLA-000 MOUNTING DIMENSIONS (FOR REFERENCE ONLY: MM/[IN.] )



Note: The load resistor values should be such that the output current does not exceed the maximum load current of 40 mA.

Use Ohm's Law to calculate the load resistor based on the supply/load voltage used:

$$R = V / 0.04 \text{ A}$$



### LEADWIRE ASSIGNMENT

Yellow	Black	White	Blue
Vsupply	Ground	Channel A	Channel B

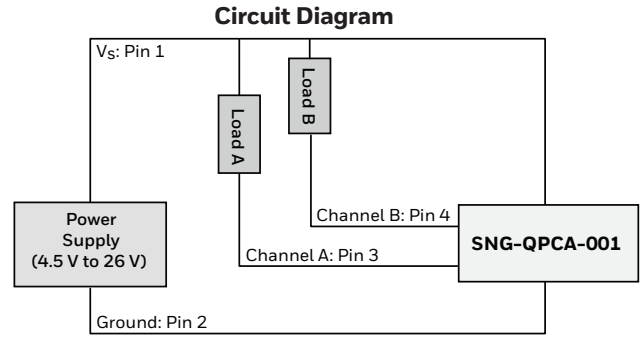
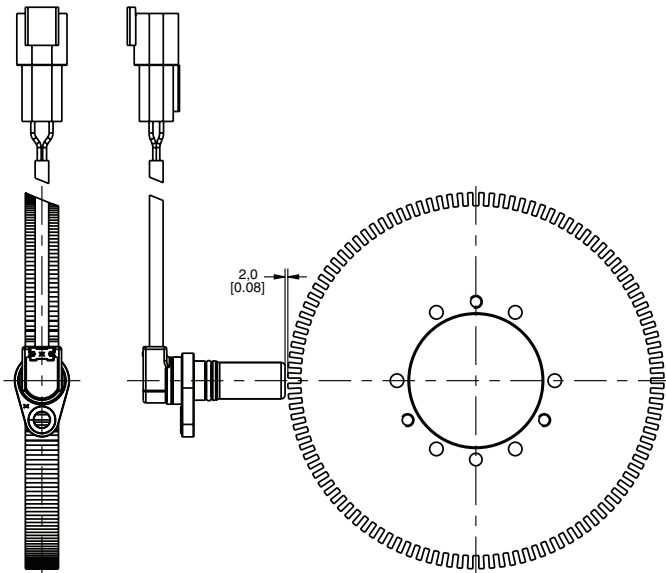
# SNG-Q SERIES, QUADRATURE SPEED AND DIRECTION SENSORS

## INSTALLATION INSTRUCTIONS

Issue F

32309314

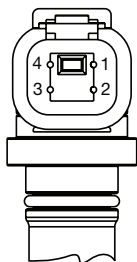
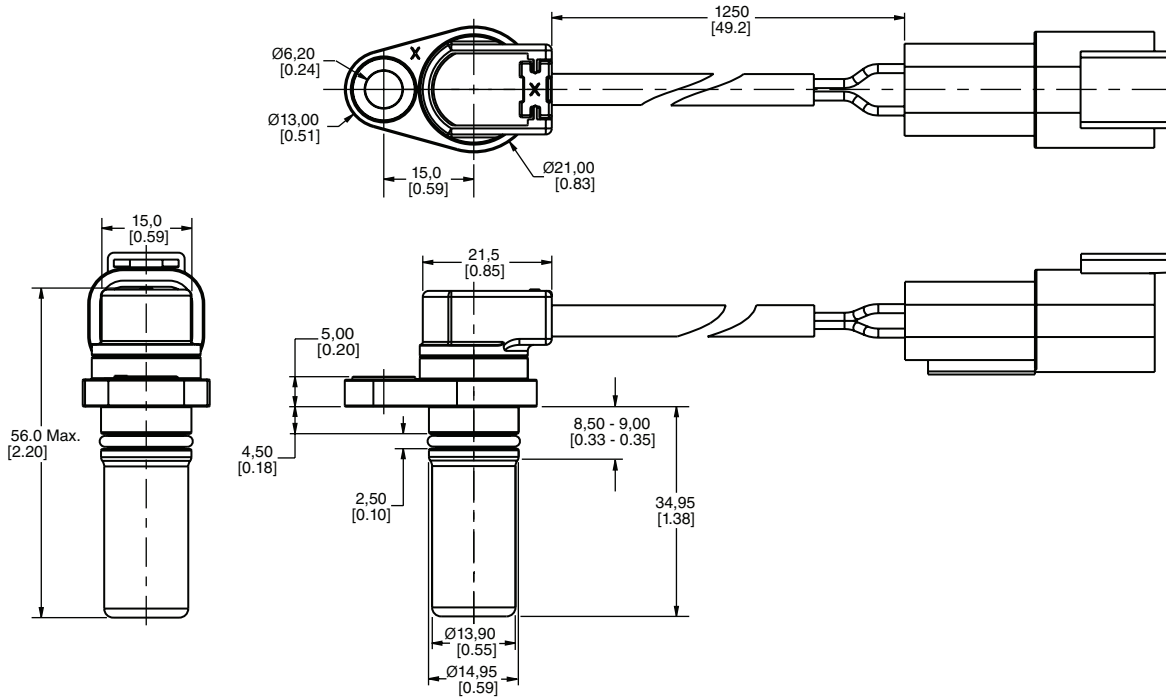
FIGURE 4. SNG-QPCA-001 MOUNTING DIMENSIONS (FOR REFERENCE ONLY: MM/[IN].)



Note: The load resistor values should be such that the output current does not exceed the maximum load current of 40 mA.

Use Ohm's Law to calculate the load resistor based on the supply/load voltage used:

$$R = V / 0.04 \text{ A}$$



DEUTSCH DTM04-4P PINOUT (MATING CONNECTOR IS DEUTSCH DTM06-4S)			
Pin 1	Pin 2	Pin 3	Pin 4
Vsupply	Ground	Channel A	Channel B

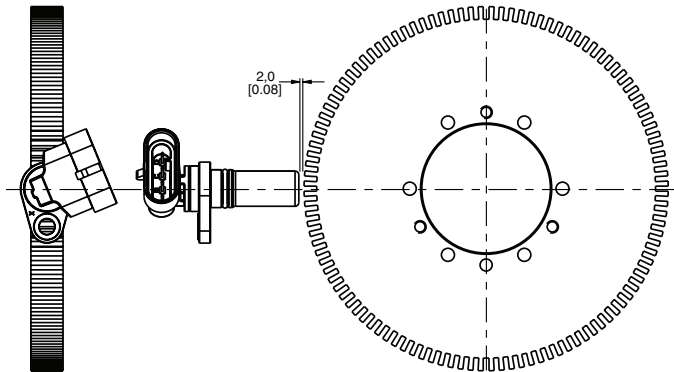
# SNG-Q SERIES, QUADRATURE SPEED AND DIRECTION SENSORS

## INSTALLATION INSTRUCTIONS

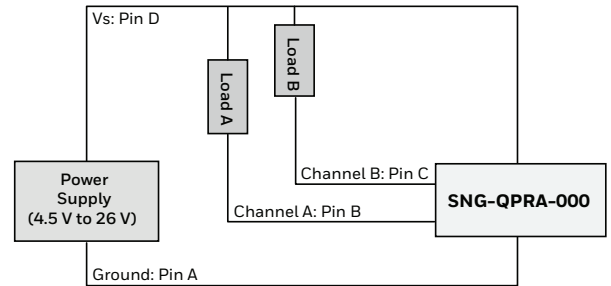
Issue F

32309314

FIGURE 5. SNG-QPRA-000 MOUNTING DIMENSIONS (FOR REFERENCE ONLY: MM/[IN.] )



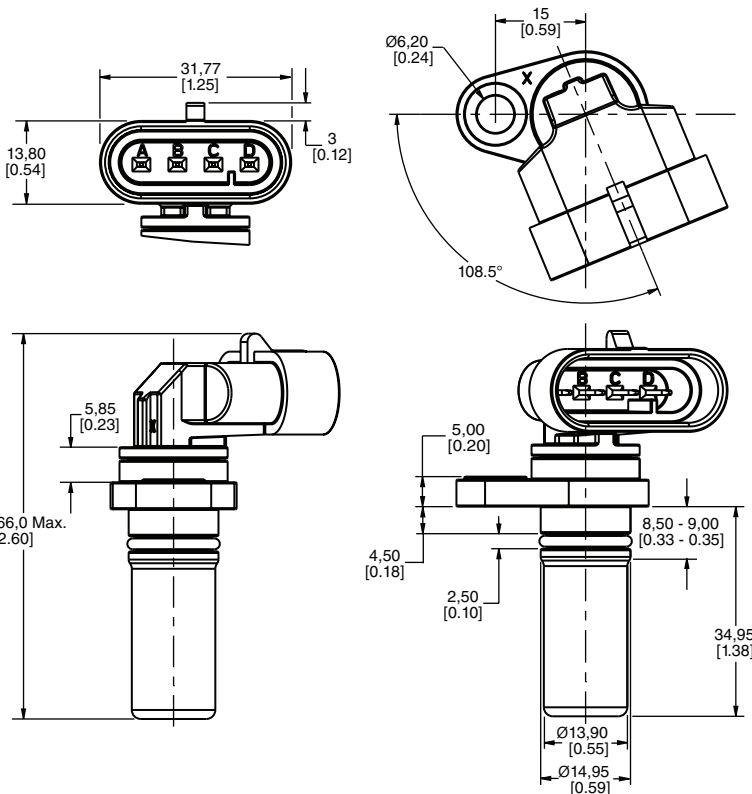
### Circuit Diagram



Note: The load resistor values should be such that the output current does not exceed the maximum load current of 40 mA.

Use Ohm's Law to calculate the load resistor based on the supply/load voltage used:

$$R = V / 0.04 \text{ A}$$



AMP SUPERSEAL 1.5 CONNECTOR PINOUT (MATING CONNECTOR IS AMP SUPERSEAL 1.5 282088)			
Pin A	Pin B	Pin C	Pin D
Ground	Channel A	Channel B	Vsupply

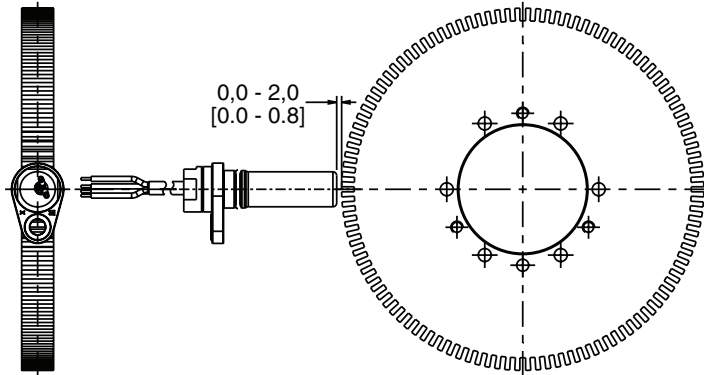
# SNG-Q SERIES, QUADRATURE SPEED AND DIRECTION SENSORS

## INSTALLATION INSTRUCTIONS

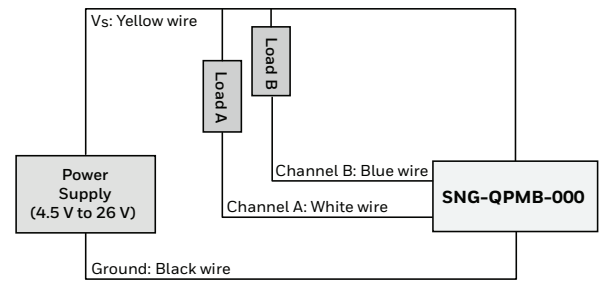
Issue F

32309314

FIGURE 6. SNG-QPMB-000 MOUNTING DIMENSIONS (FOR REFERENCE ONLY: MM/[IN].)



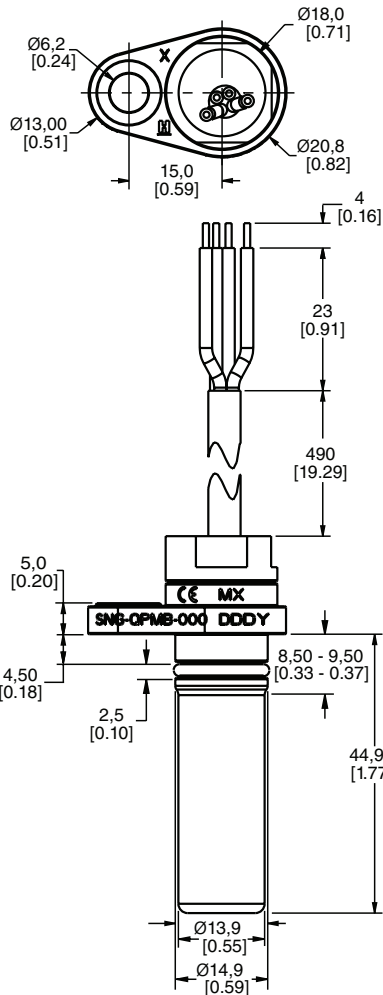
### Circuit Diagram



Note: The load resistor values should be such that the output current does not exceed the maximum load current of 40 mA.

Use Ohm's Law to calculate the load resistor based on the supply/load voltage used:

$$R = V / 0.04 A$$



### LEADWIRE ASSIGNMENT

Yellow	Black	White	Blue
Vsupply	Ground	Channel A	Channel B

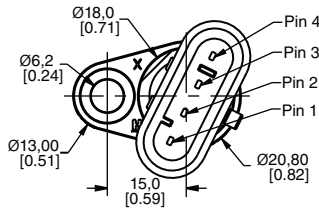
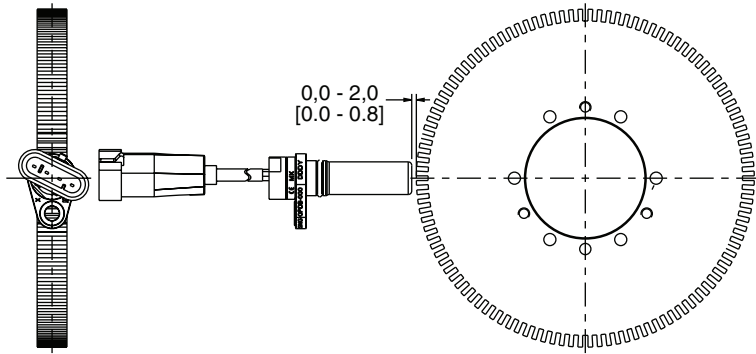
# SNG-Q SERIES, QUADRATURE SPEED AND DIRECTION SENSORS

## INSTALLATION INSTRUCTIONS

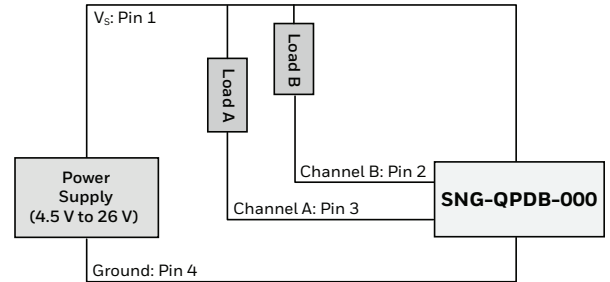
Issue F

32309314

FIGURE 7. SNG-QPDB-000 MOUNTING DIMENSIONS (FOR REFERENCE ONLY: MM/[IN.] )



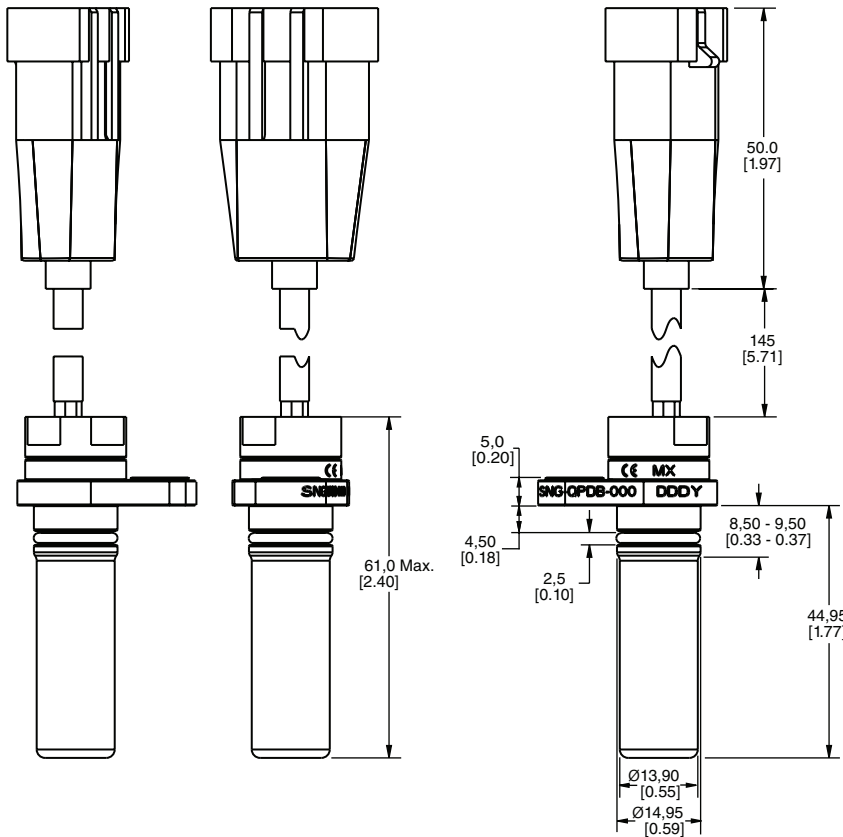
### Circuit Diagram



Note: The load resistor values should be such that the output current does not exceed the maximum load current of 40 mA.

Use Ohm's Law to calculate the load resistor based on the supply/load voltage used:

$$R = V / 0.04 \text{ A}$$



**AMP SUPERSEAL 1.5 282106 PINOUT  
(MATING CONNECTOR IS  
AMP SUPERSEAL 1.5 282088)**

Pin 1	Pin B	Pin 3	Pin 4
Vsupply	Channel B	Channel A	Ground

## WARRANTY/REMEDY

Honeywell warrants goods of its manufacture as being free of defective materials and faulty workmanship during the applicable warranty period. Honeywell's standard product warranty applies unless agreed to otherwise by Honeywell in writing; please refer to your order acknowledgment or consult your local sales office for specific warranty details. If warranted goods are returned to Honeywell during the period of coverage, Honeywell will repair or replace, at its option, without charge those items that Honeywell, in its sole discretion, finds defective. **The foregoing is buyer's sole remedy and is in lieu of all other warranties, expressed or implied, including those of merchantability and fitness for a particular purpose. In no event shall Honeywell be liable for consequential, special, or indirect damages.**

While Honeywell may provide application assistance personally, through our literature and the Honeywell web site, it is buyer's sole responsibility to determine the suitability of the product in the application.

Specifications may change without notice. The information we supply is believed to be accurate and reliable as of this writing. However, Honeywell assumes no responsibility for its use.

## FOR MORE INFORMATION

Honeywell Advanced Sensing Technologies services its customers through a worldwide network of sales offices and distributors. For application assistance, current specifications, pricing or the nearest Authorized Distributor, visit [our website](#) or call:

USA/Canada	+1 302 613 4491
Latin America	+1 305 805 8188
Europe	+44 1344 238258
Japan	+81 (0) 3-6730-7152
Singapore	+65 6355 2828
Greater China	+86 4006396841

### Honeywell Advanced Sensing Technologies

830 East Arapaho Road  
Richardson, TX 75081 F  
[sps.honeywell.com/ast](https://sps.honeywell.com/ast)

## WARNING PERSONAL INJURY

DO NOT USE these products as safety or emergency stop devices or in any other application where failure of the product could result in personal injury.

**Failure to comply with these instructions could result in death or serious injury.**