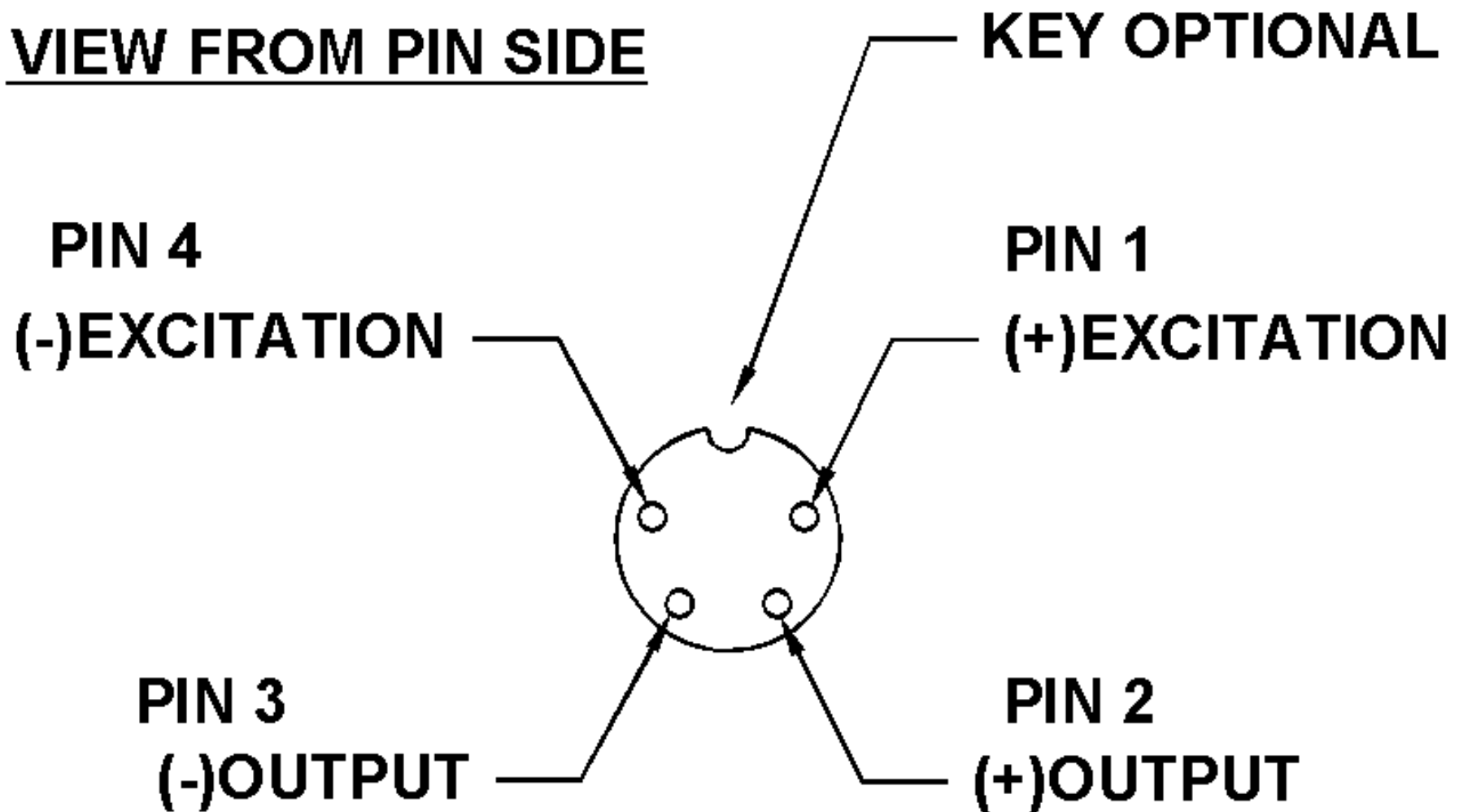


UNAMP#27,4-COND,4-PIN,MICROTEC

VIEW FROM PIN SIDE



001-0333-27

UNAMP#1,4-COND,CBL

COLOR	DESIGNATION
RED	(+)EXCITATION
BLACK	(-)EXCITATION
GREEN	(-)OUTPUT
WHITE	(+)OUTPUT

001-0333-01